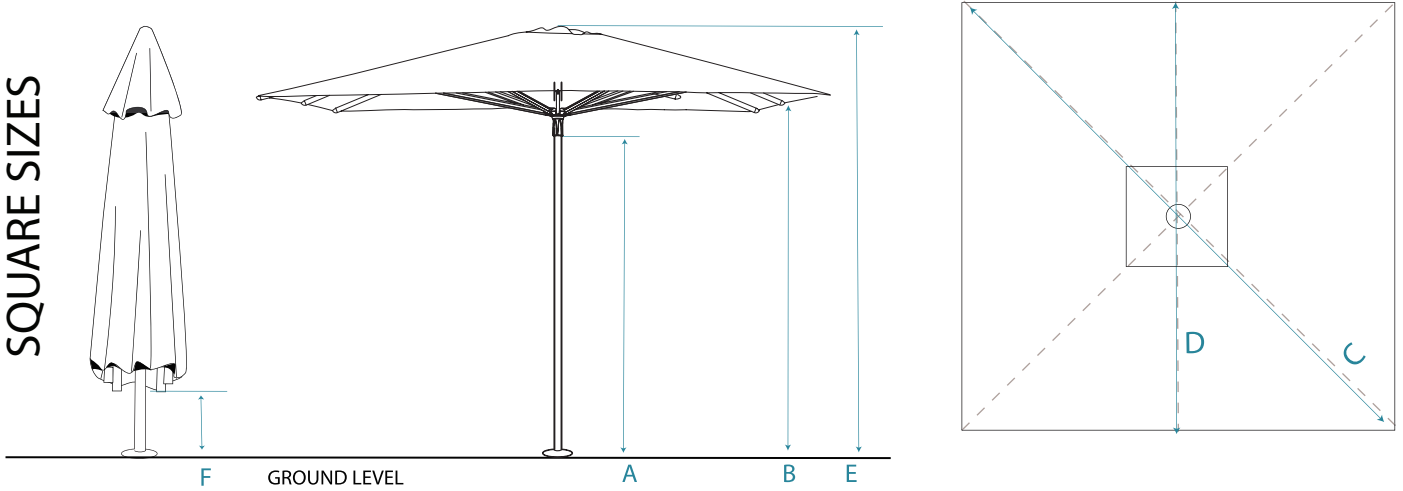
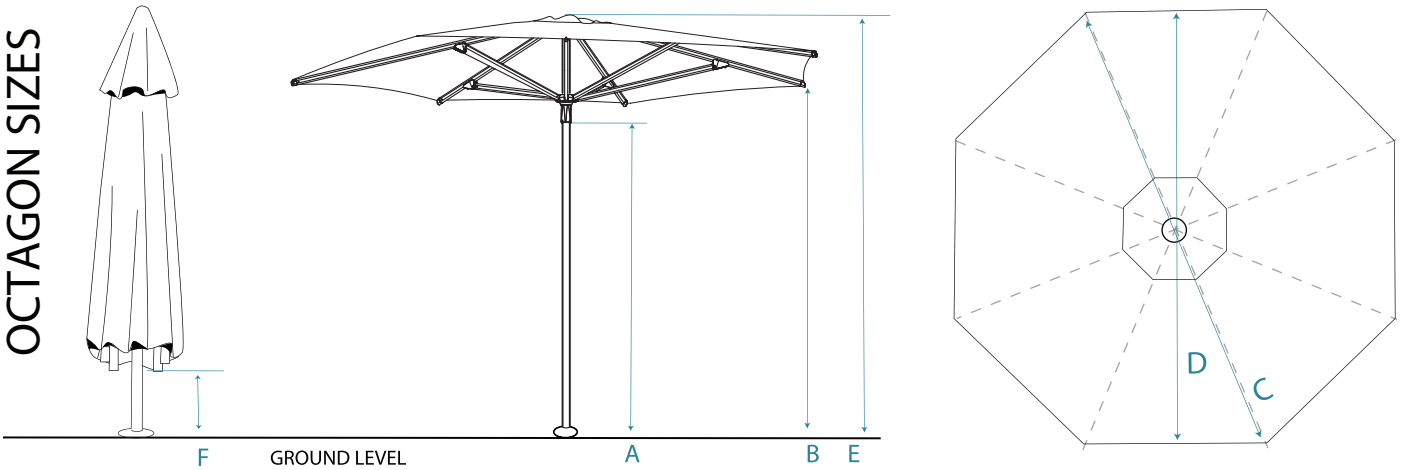


SQUARE SIZES



OCTAGON SIZES



LIBRA SPECIFICATIONS		2.0 M 6' 6" Square	2.5 M 8' 2" Square	2.5 M 8' 2" Octagon
A	Hub above ground	6'1"	6'1"	6'
B	Arms above ground	6'5"	6'5"	6'8"
C	Canopy diameter/ diagonally	9'1"	11'5"	8'1"
D	Canopy Width	6'6"	8'2"	7'6"
E	Total overall height	7'8"	8'	7'8"
F	Height of arms when folded down	3'1"	2'2"	3'7"



Mast is 1.57" diameter and 0.079" thick.
Arm thickness is 0.051".