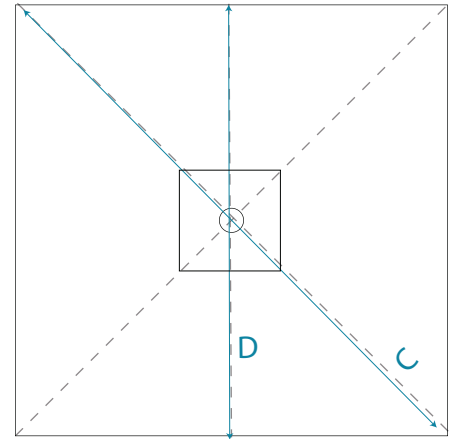
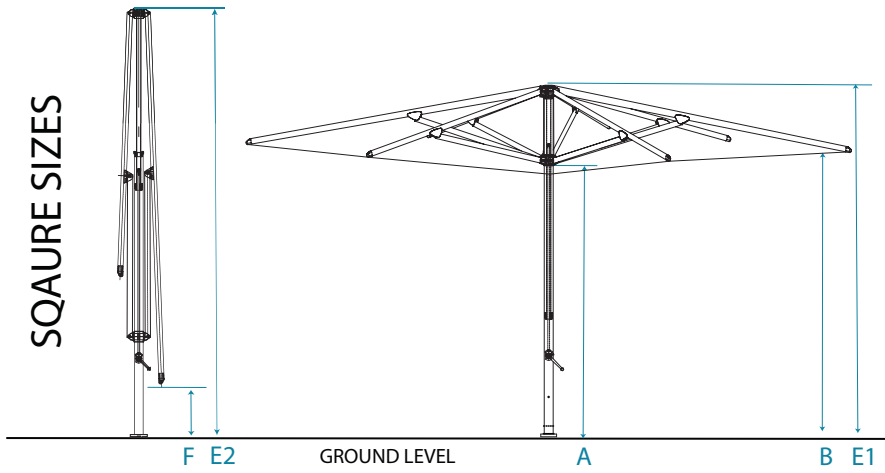
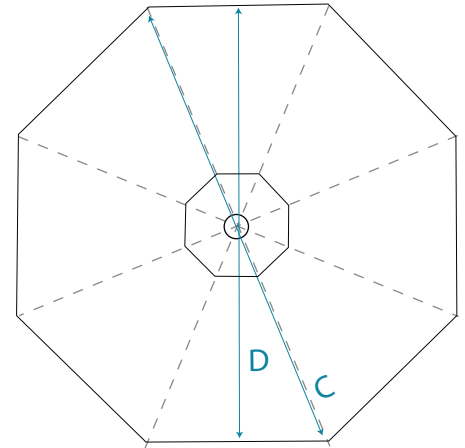
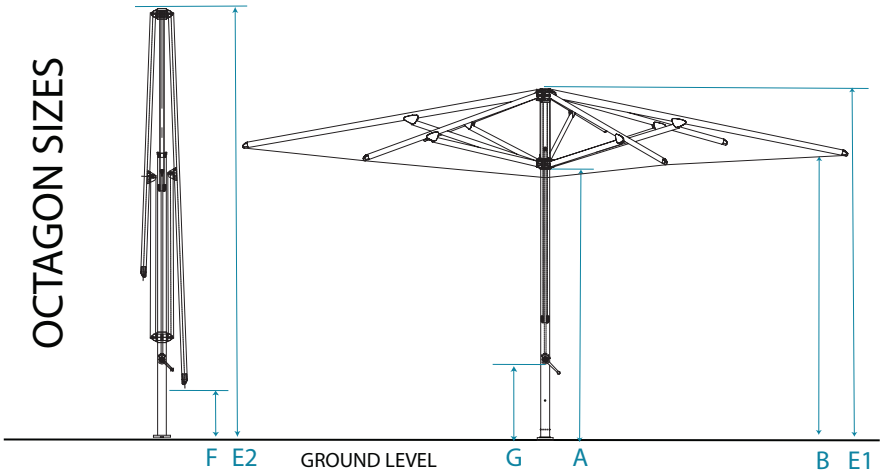


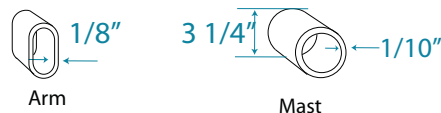
SQAURE SIZES



OCTAGON SIZES



ASTRAL TC SPECIFICATIONS		3.5 M 11' 5" Square	4.0 M 13' 1" Square	5.0 M 16' 4" Square	5.0 M 16' 4" Octagon
<b>A</b>	Hub above ground	7' 1"	7'	6' 8"	7' 1"
<b>B</b>	Arms above ground	7' 5"	7' 4"	7' 5"	7' 5"
<b>C</b>	Canopy diameter/ diagonally	16' 2"	18' 6"	23' 2"	16' 4"
<b>D</b>	Canopy width	11' 5"	13' 1"	16' 4"	15' 2"
<b>E1</b>	Total overall height when open	9' 2"	9' 4"	9' 6"	9' 2"
<b>E2</b>	Total overall height when closed	11' 5"	12'	13' 3"	12' 3"
<b>F</b>	Height of arms off the ground when folded down	3' 4"	2' 11"	1' 8"	3' 4"
<b>G</b>	Height of winder box above ground	2' 8"	2' 8"	2' 4"	2' 8"



Mast is 3 1/4" diameter and 1/10" thick.  
Arm thickness is 1/8".