



THE OUTDOOR PLUS

USA MANUFACTURER OF FIRE & WATER FEATURES



SALES SHEET | SPECIFICATION SHEET | MANUALS & WARRANTY INFORMATION

SEDONA CONCRETE FIRE PIT

NARROW LEDGE

SEDONA 48" CONCRETE FIRE PIT

OPT-SED48 | Match Lit

OPT-SED48EKIT | 110V Electronic

OPT-SED48FSEN | Flame Sense

SEDONA 60" CONCRETE FIRE PIT

OPT-SED60 | Match Lit

OPT-SED60EKIT | 110V Electronic

OPT-SED60FSEN | Flame Sense



DETAILED PRODUCT PAGE

SCAN THIS QR CODE WITH A SMARTPHONE TO
ACCESS THIS PRODUCT'S DEDICATED PAGE:

[HTTPS://THEOUTDOORPLUS.COM/SEDONA-FIRE-PIT/](https://theoutdoorplus.com/sedona-fire-pit/)

THE OUTDOOR PLUS

USA MANUFACTURER OF FIRE & WATER FEATURES



SALES SHEET | SPECIFICATION SHEET | MANUALS & WARRANTY INFORMATION

SEDONA CONCRETE FIRE PIT NARROW LEDGE

The Sedona Narrow Ledge Concrete Fire Pit is handcrafted in Sunny Southern California by The Outdoor Plus. It's made of Glass Fiber Reinforced Concrete (GFRC) to make it the most durable and long-lasting fire pit in the market! Its round shape makes it easy to gather your guests around the brilliantly warm fire pit.

WHAT'S INCLUDED: Glass Fiber Reinforced Concrete Fire Pit, Pan, Stainless Steel Burner, Orifice (NG or LP), QTY. 2 Whistle-free Flex Hoses, Key Vave with Chrome Cover, & Lava Rock.

Model	Height	Base	Bottom Opening	Burn Area	Ledge	Weight	BTU Output	Suggested Fire Glass	Propane Tank Storage
48" Sedona Fire Pit	16"	24"	18.5"	42" x 2"	2.5"	300 LBS.	65K	150 LBS.	No
60" Sedona Fire Pit	17"	36"	30"	55" x 2"	3.5"	550 LBS.	65K	250 LBS.	No

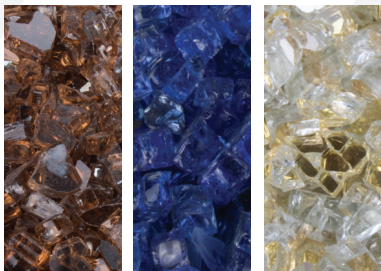


60" Sedona Fire Pit in Rustic Coffee with a Custom 5' Tall Steel Logs Burner



Close Up of Rustic Coffee on a Sedona Fire Pit

↓ ARE YOU FORGETTING SOMETHING? ADD AN ACCESSORY TO YOUR ORDER! ↓



FIRE MEDIA

MANY COLORS AVAILABLE
COMES IN 25 LBS. BAGS



UPGRADE THE BURNER!

TWICE THE FLAME, LESS GAS
PATENTED BULLET BURNER



ORNAMENTS

ADD DECORATIVE FLARE WITH
OUR HANDMADE ORNAMENTS



CANVAS COVERS

PROTECT YOUR FIRE PIT WITH A
DURABLE & LONG-LASTING COVER

48" Compatible Accessories List for Sedona 48" Concrete Fire Pit

Burner Upgrade	
SKU	Product Description
OPT-B18B	18" Brass Triple "S" Bullet Burner



More Flame, Less Gas

Canvas Cover	
SKU	Product Description
OPT-CVR-48R	48" Round Canvas Cover



Strong and Durable Canvas Cover to protect your fire pit

Add-on Ornaments	
SKU	Product Description
OPT-BB	16" x 16" x 18" Stainless Steel Burner Bush
OPT-3000	24" x 24" x 24" Stainless Steel Tree Burner
OPT-1924	19" x 19" x 24" Steel Fire Pit Logs
OPT-LF	18" Stainless Steel Lotus Flower Burner
OPT-30BN	30" Stainless Steel Bird's Nest
OPT-DS	20" x 20" x 24" Steel Desert Sticks
OPT-SL	18" x 18" x 20" Solid Steel Logs
OPT-FB4	4" Steel Fire Balls Sold Individually



Propane Tank Enclosure	
SKU	Product Description
N/A	N/A

Need a custom piece for your fire pit? TOP can make it! Send your inquires to your local sales rep or to sales@theoutdoorplus.com

Fire Media	
SKU	Product Description
OPT-701	½"- 1" Black Fire Glass 25 LBS.
OPT-706	½"- 1" Turquoise Fire Glass 25 LBS.
OPT-702	½"- 1" Blue Fire Glass 25 LBS.
OPT-708	½"- 1" Amber Fire Glass 25 LBS.
OPT-144BL	¼" Black Reflective Fire Glass 25 LBS.
OPT-138C	¼" Copper Reflective Fire Glass 25 LBS.
OPT-144GL	¼" Gold Reflective Fire Glass 25 LBS.
OPT-144CB	¼" Cobalt Reflective Fire Glass 25 LBS.
OPT-PL-50	2"-3" Polished Lava Rock 50 LBS.
OPT-150-50	1" Lava Rock Chunks 50 LBS.



AMBER FIRE GLASS



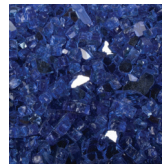
BLACK FIRE GLASS



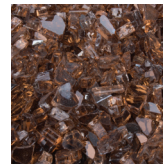
COBALT FIRE GLASS



TURQUOISE FIRE GLASS



BLUE REFLECTIVE FIRE GLASS



COPPER REFLECTIVE FIRE GLASS



BLACK REFLECTIVE FIRE GLASS



GOLD REFLECTIVE FIRE GLASS



LAVA ROCK CHUNKS

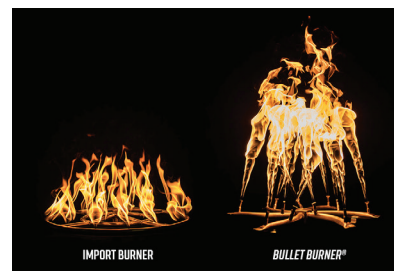


POLISHED LAVA ROCKS



60" Compatible Accessories List for Sedona 60" Concrete Fire Pit

Burner Upgrade	
SKU	Product Description
OPT-B24B	24" Brass Triple "S" Bullet Burner



More Flame, Less Gas

Canvas Cover	
SKU	Product Description
OPT-CVR-60R	60" Round Canvas Cover



Strong and Durable Canvas Cover to protect your fire pit

Add-on Ornaments	
SKU	Product Description
OPT-BB	16" x 16" x 18" Stainless Steel Burner Bush
OPT-3000	24" x 24" x 24" Stainless Steel Tree Burner
OPT-1924	19" x 19" x 24" Steel Fire Pit Logs
OPT-LF	18" Stainless Steel Lotus Flower Burner
OPT-30BN	30" Stainless Steel Bird's Nest
OPT-DS	20" x 20" x 24" Steel Desert Sticks
OPT-SL	18" x 18" x 20" Solid Steel Logs
OPT-FB4	4" Steel Fire Balls Sold Individually



Propane Tank Enclosure	
SKU	Product Description
OPT-GFRCSTAND	Concrete Propane Enclosure Add color code to end OPT-GFRCSTAND-ASH

Need a custom piece for your fire pit? TOP can make it! Send your inquires to your local sales rep or to sales@theoutdoorplus.com

Fire Media	
SKU	Product Description
OPT-701	1/2"-3/4" Black Fire Glass 25 LBS.
OPT-706	1/2"-3/4" Turquoise Fire Glass 25 LBS.
OPT-702	1/2"-3/4" Blue Fire Glass 25 LBS.
OPT-708	1/2"-3/4" Amber Fire Glass 25 LBS.
OPT-144BL	1/4" Black Reflective Fire Glass 25 LBS.
OPT-138C	1/4" Copper Reflective Fire Glass 25 LBS.
OPT-144GL	1/4" Gold Reflective Fire Glass 25 LBS.
OPT-144CB	1/4" Cobalt Reflective Fire Glass 25 LBS.
OPT-PL-50	2"-3" Polished Lava Rock 50 LBS.
OPT-150-50	1" Lava Rock Chunks 50 LBS.



AMBER FIRE GLASS



BLACK FIRE GLASS



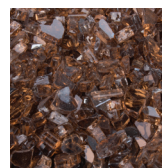
COBALT FIRE GLASS



TURQUOISE FIRE GLASS



BLUE REFLECTIVE FIRE GLASS



COPPER REFLECTIVE FIRE GLASS



BLACK REFLECTIVE FIRE GLASS



GOLD REFLECTIVE FIRE GLASS



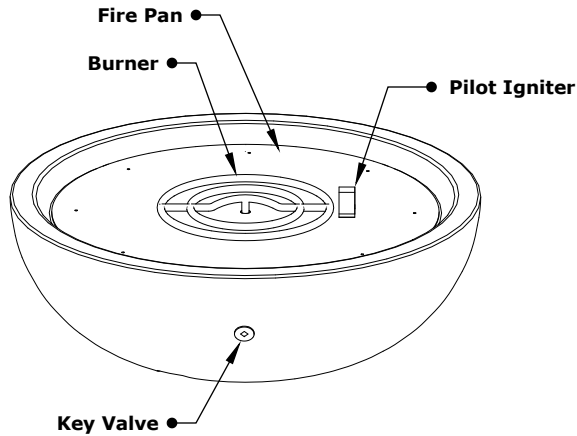
LAVA ROCK CHUNKS



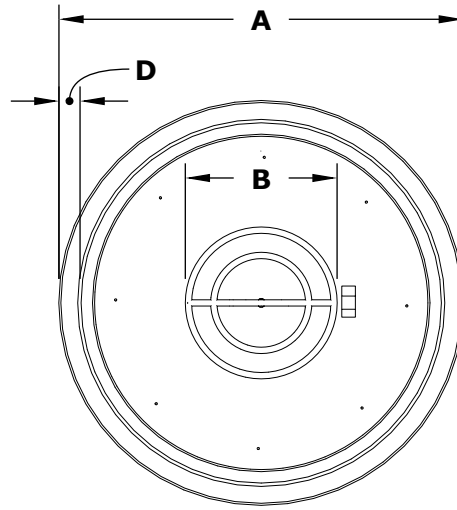
POLISHED LAVA ROCKS



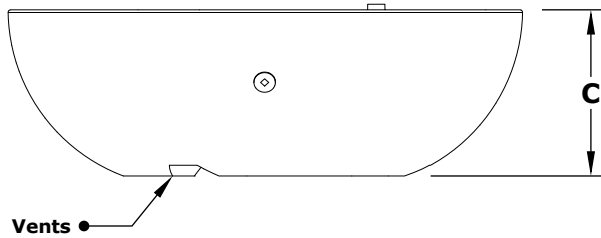
SEDONA CONCRETE FIRE PIT



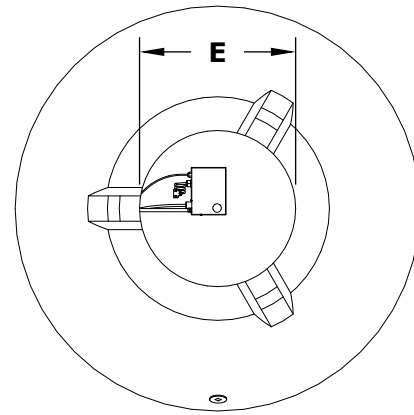
ISOMETRIC VIEW



TOP VIEW



FRONT SIDE VIEW



BOTTOM VIEW

SKU	A	B	C	D	E	BTU
OPT-SED48	48"	18"	15"	2.5"	18.5"	65,000
OPT-SED48EKIT	48"	18"	15"	2.5"	18.5"	60,000
OPT-SED60	60"	24"	16.5"	3"	30"	60,000
OPT-SED60EKIT	60"	24"	16.5"	3"	30"	65,000

Fire Pit Material: Concrete
Pan Material: 304 Stainless Steel
Burner Material: 304 Stainless Steel
110V ELECTRONIC IGNITION
ANSI Z21.97-(2017) / CSA 2.41-(2017)



Match Lit Unit Includes: Pan, Burner, Gas Orifice, Gas Hoses, Key Valve, Key,
110v Ignition Unit Includes: Pan, Burner, Gas Orifice, Gas Hoses, Key Valve, Key, Plug & Play Electronic Valve, Pilot Igniter.