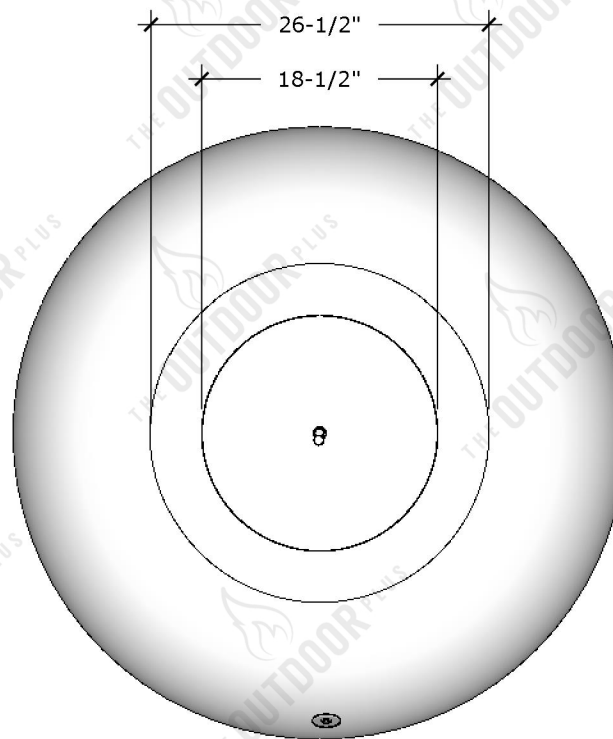
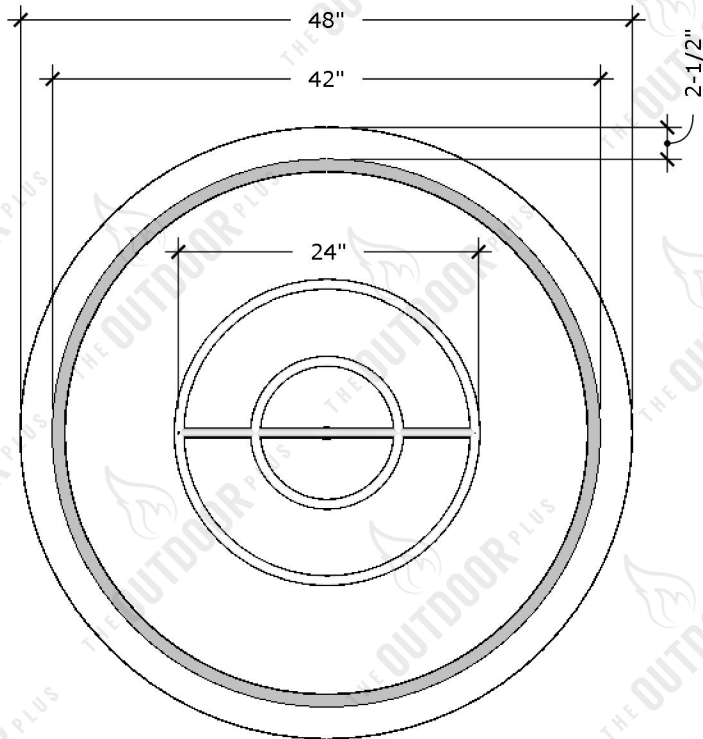


**PERSPECTIVE**

**FRONT**



**TOP**

**BOTTOM**

**48" Sedona Narrow Lip  
Fire Pit**

<b>Part Number</b>	OPT-SED48
<b>Material</b>	GFRC Concrete / Stainless Steel
<b>Finishes</b>	18 Concrete Colors
<b>Gas Type</b>	NG or LP
<b>Weight</b>	160 LBS
<b>BTUs</b>	65000
<b>Suggested Fire Glass</b>	150 LBS
<b>Access Door</b>	No



235 East Main St  
Ontario CA 91761  
Office: (909) 460-5579