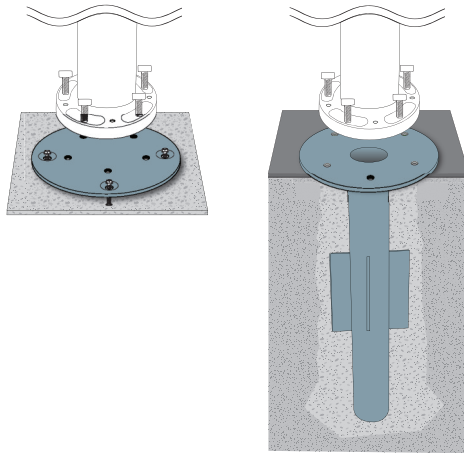


concrete & in-ground mount kits

for astral-tc, orion,
sirius & polaris



shademakerTM
a r c h i t e c t u r a l s h a d e

assembly and operation guide

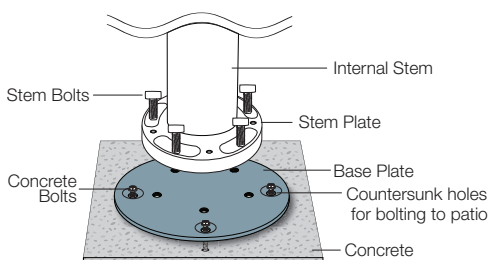
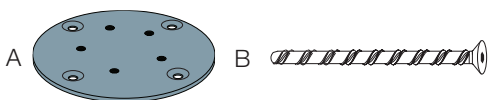
CONCRETE MOUNT KIT

Concrete Mount Kit includes:

A - Base Plate

B - Concrete Bolts - Four (4) 8mm diameter, approx. 4" length - NOT INCLUDED

Note: Within the Shademaker line, Polaris styles require Countersunk Bolts



STEP 1 Bolt Base Plate

Bolt the base plate to an existing concrete slab (or through no thicker than 1" pavers or tiles adhered to a concrete slab) using special concrete bolts. **Note:** Within the Shademaker line, Polaris styles require Countersunk Bolts.

STEP 2 Bolt Internal Stem

Bolt the internal stem plate to base plate using the five (5) stem bolts and allen wrench included with umbrella. Insert the stem bolts downward through the holes in the internal stem plate and screw them into the threaded holes in the base plate. Make sure they are very tight.

You are now ready to operate your umbrella!

REMOVAL:

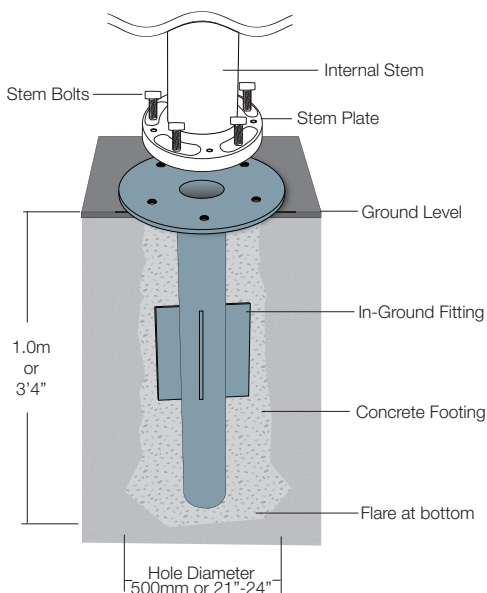
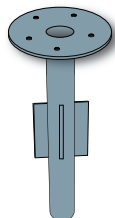
To remove your umbrella for seasonal storage or to move it to another base plate or in-ground fitting, simply undo the stem bolts and remove the umbrella from the base plate.

IN-GROUND FITTING KIT

In-Ground Fitting Kit includes:

A - In-Ground Fitting

A



STEP 1 Preparation

The in-ground fitting needs concreting in the ground per the diagram (above). The hole size recommended assumes the terrain is thick clay. Should the terrain be fine soil or sand, the hole size should be increased. The recommended installation requires .50 cubic yards of concrete for silty or fine soil and .25 cubic yards of concrete for heavy clay.

The in-ground fitting may also be built into newly poured concrete. For a perfect flush mount, set the plate of the fitting $\frac{3}{8}$ " below the final surface grade. When you add the $\frac{3}{8}$ " thick internal stem to the plate, the internal stem will be flush with the concrete.

STEP 2 Bolt Internal Stem

Bolt the internal stem plate to the in-ground fitting using the five (5) stem bolts and allen wrench included with umbrella. Insert the stem bolts downward through the holes in the internal stem plate and screw them into the threaded holes in the in-ground fitting. Make sure they are very tight.

You are now ready to operate your umbrella!

IMPORTANT: When concreting the in-ground fitting in place, make sure not to get slurry in the screw threads. Either apply tape over the holes on both sides of the fitting or place the stem bolts in the threads and withdraw them with the concrete is set. Make sure that the in-ground fitting is perfectly level. Allow the concrete to cure for the appropriate cure time for your area before installing the umbrella onto the fitting.

REMOVAL:

To remove your umbrella for seasonal storage or to move it to another base plate or in-ground fitting, simply undo stem bolts and remove the umbrella from the in-ground fitting.

shademaker

13401 Brooks Drive
Baldwin Park, CA 91706
p 626.338.8810
f 626.338.8816
info@shademakerusa.com

shademakerusa.com