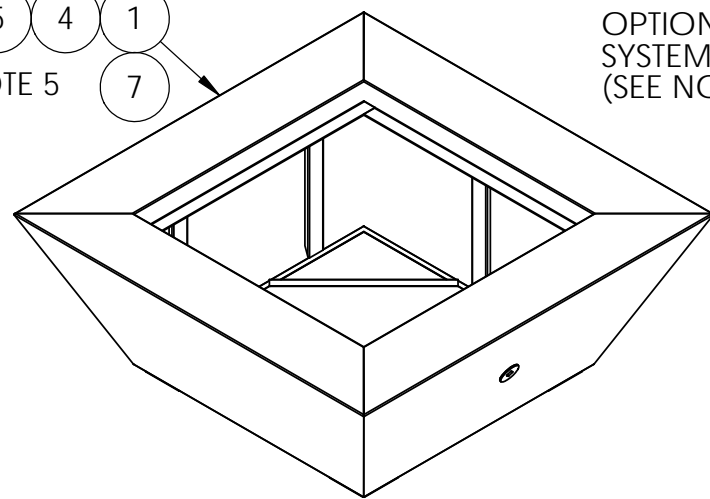
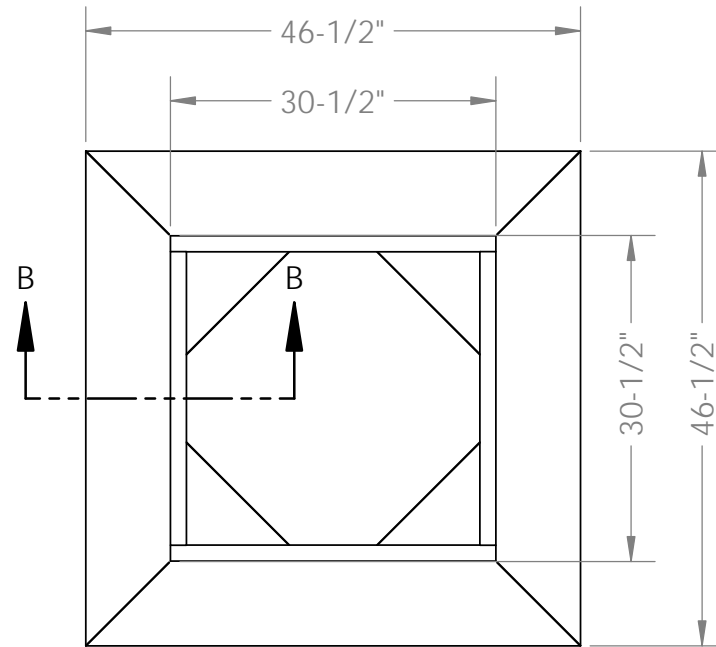


6 5 4 1  
NOTE 5 7

OPTIONAL BURNER SYSTEMS AVAILABLE (SEE NOTE 4)



REVERSE PERSPECTIVE VIEW



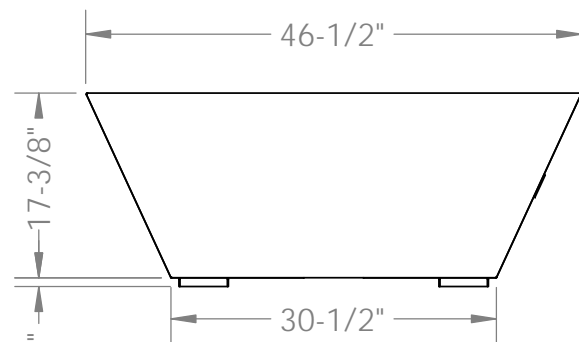
TOP VIEW



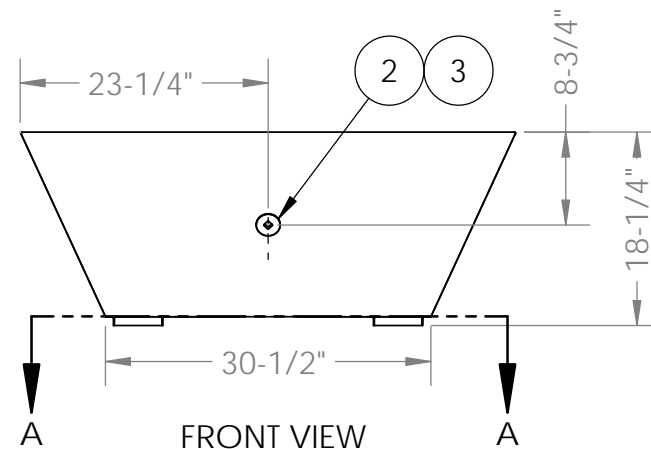
PERSPECTIVE VIEW

**NOTES:**

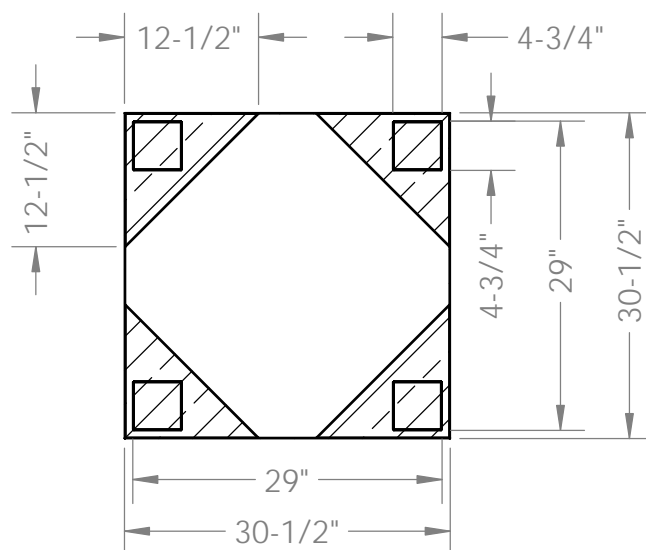
1. ALL DIMENSIONS ARE IN INCHES UNLESS OTHERWISE SPECIFIED.
2. MATERIAL: 16 Ga STEEL FINISHED WITH POWDER COAT
3. UNIT WEIGHT: 80 LBS
4. IGNITION: ELECTRONIC IGNITION, MANUAL SPARK IGNITION, MATCH LIT IGNITION
5. SOME ITEMS ARE NOT SHOWN IN DRAWING VIEWS. SEE BILL OF MATERIALS FOR FULL PARTS LIST.



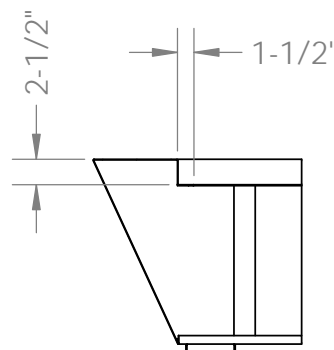
LEFT SIDE VIEW



FRONT VIEW



FOOTPRINT SECTION A-A



SECTION B-B

**PROPRIETARY AND CONFIDENTIAL**  
THE INFORMATION CONTAINED IN THIS DRAWING IS THE SOLE PROPERTY OF STARFIRE DIRECT. ANY REPRODUCTION IN PART OR AS A WHOLE WITHOUT THE WRITTEN PERMISSION OF STARFIRE DIRECT IS PROHIBITED.

ITEM NO.	QTY.	PART NUMBER	DESCRIPTION
7	4	-	THREADED BALANCE FEET
6	2	-	END COMPRESSION FITTING ADAPTER, 1/2" FIP X 5/8" FLARE
5	2	-	END COMPRESSION FITTING ADAPTER, 1/2" MIP X 5/8" FLARE
4	2	-	22" TRANQUILINE WHISTLE FREE FLEX LINE - 5/8" OD (1/2" ID)
3	1	-	STARFIRE DESIGNS 3" UNIVERSAL KEY & VALVE FLANGE COMBO, FINISH: ANTIQUE COPPER
2	1	-	STARFIRE DESIGNS 1/2" MANUAL STRAIGHT QUARTER TURN GAS KEY VALVE
1	1	FP-484818-MILL	FIRE PIT ENCLOSURE, MILL

UNLESS OTHERWISE SPECIFIED:		NAME	DATE	TITLE:
DIMENSIONS ARE IN INCHES		DRAWN		<b>MILL FIRE PIT 48"X48"X18"</b>
TOLERANCES:		CHECKED		
FRACTIONAL: ± 1/8"		ENG APPR.		
ANGULAR: MACH ± BEND ±		MFG APPR.		
TWO PLACE DECIMAL ±		Q.A.		SIZE DWG. NO.
THREE PLACE DECIMAL ±				<b>B</b> FP-484818-MILL
INTERPRET GEOMETRIC TOLERANCING PER:		MATERIAL		REV
		FINISH		<b>B</b>
NEXT ASSY	USED ON	APPLICATION		SCALE: 1:18 WEIGHT:
		DO NOT SCALE DRAWING		SHEET 1 OF 1

