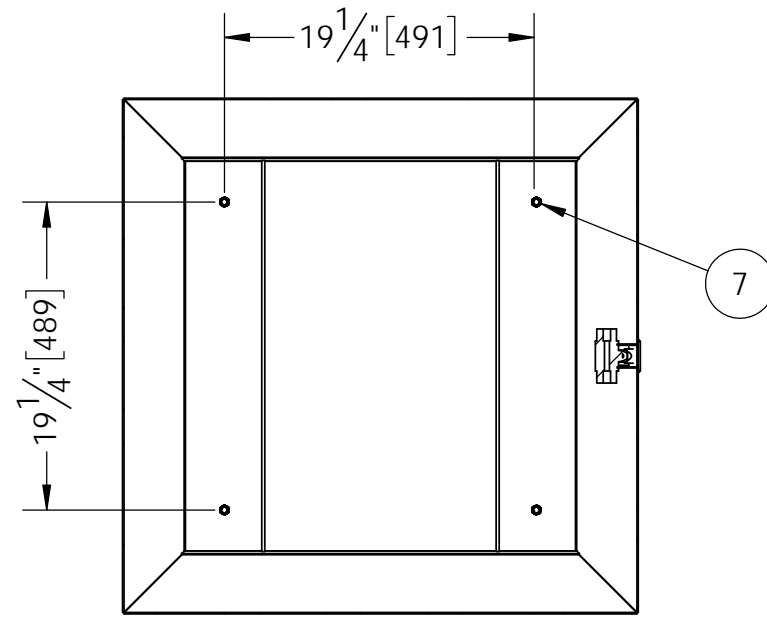


4

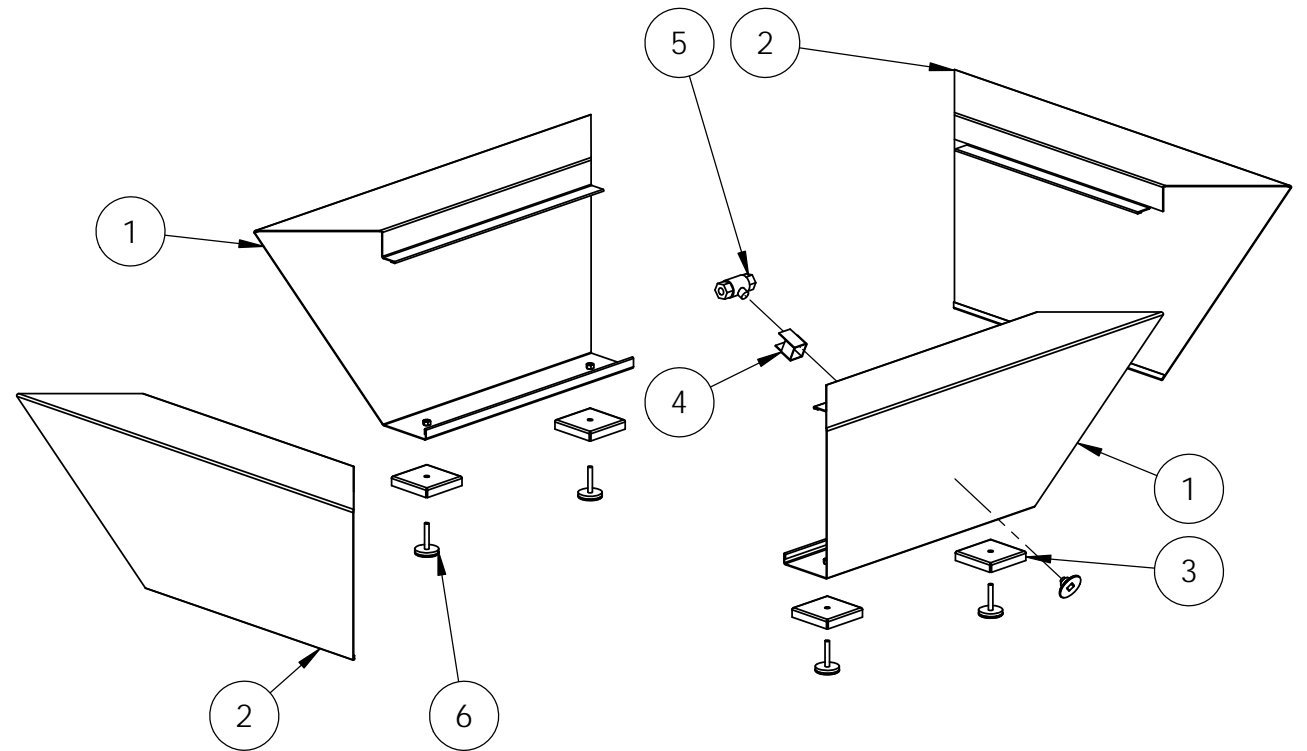
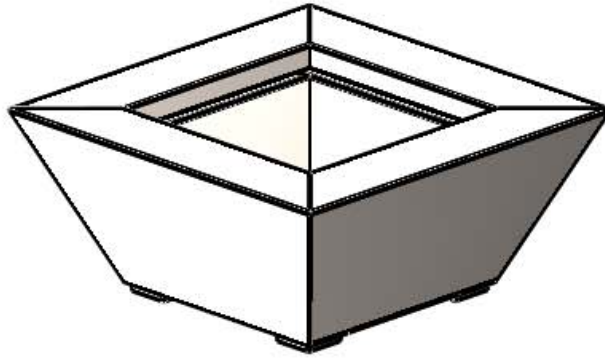
3

2

1

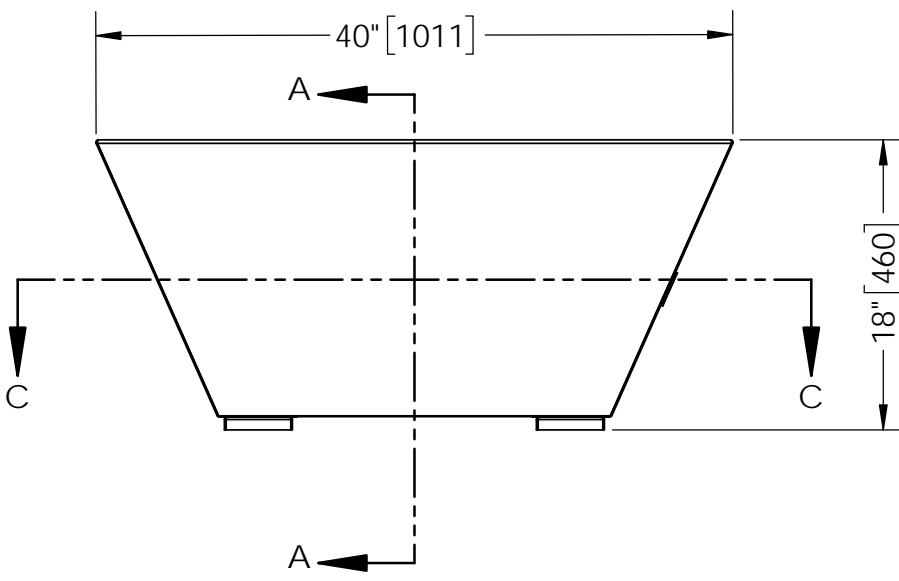


SECTION C-C

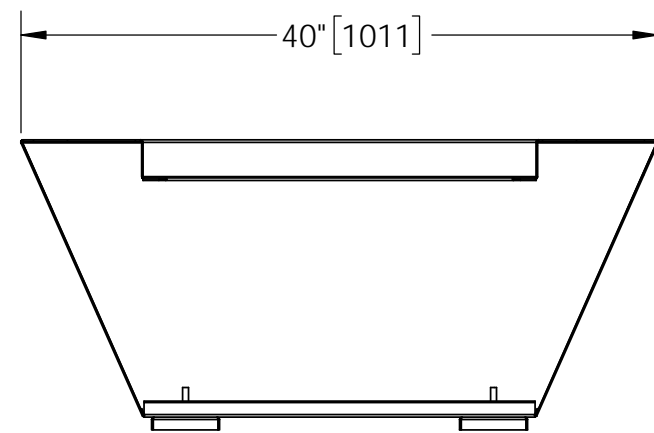


B

B



SECTION A-A



7	4	3/8-16 HEX NUT	
6	4	ADJUSTABLE STABILIZER FOOT, 3/8" STUD	
5	1	KEY VALVE, STAINLESS STEEL, P/N:	
4	1	KEY VALVE BRACKET, SEE SHEET 6 FOR DETAILS	
3	4	FOOT, SEE SHEET 5 FOR DETAILS	
2	2	SIDE PANEL, SEE SHEET 4 FOR DETAILS	
1	2	SIDE PANEL, SEE SHEET 3 FOR DETAILS	

ITEM NO.	QTY.	DESCRIPTION	VENDOR
----------	------	-------------	--------

A

A

PROPRIETARY AND CONFIDENTIAL
 THE INFORMATION CONTAINED IN THIS DRAWING IS THE SOLE PROPERTY OF STARFIRE DIRECT. ANY REPRODUCTION IN PART OR AS A WHOLE WITHOUT THE WRITTEN PERMISSION OF STARFIRE DIRECT IS PROHIBITED.

UNLESS OTHERWISE SPECIFIED:		NAME	DATE	TITLE:	
DIMENSIONS ARE IN INCHES		DRAWN		<h1>SS FIRE PIT</h1> <h2>40"X40"X18"</h2>	
TOLERANCES:		CHECKED			
FRACTIONAL: ± 1/8"		ENG APPR.			
ANGULAR: MACH ± BEND ±		MFG APPR.			
TWO PLACE DECIMAL ±		Q.A.		SIZE	DWG. NO.
THREE PLACE DECIMAL ±				B	SS_0316design-Fab
INTERPRET GEOMETRIC TOLERANCING PER:				SCALE: 1:12	WEIGHT:
MATERIAL				SHEET 1 OF 6	
FINISH					
NEXT ASSY	USED ON				
APPLICATION		DO NOT SCALE DRAWING			

4

3

2

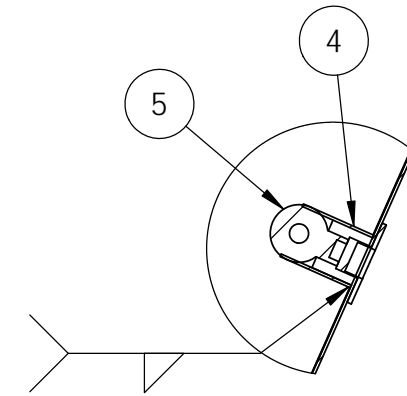
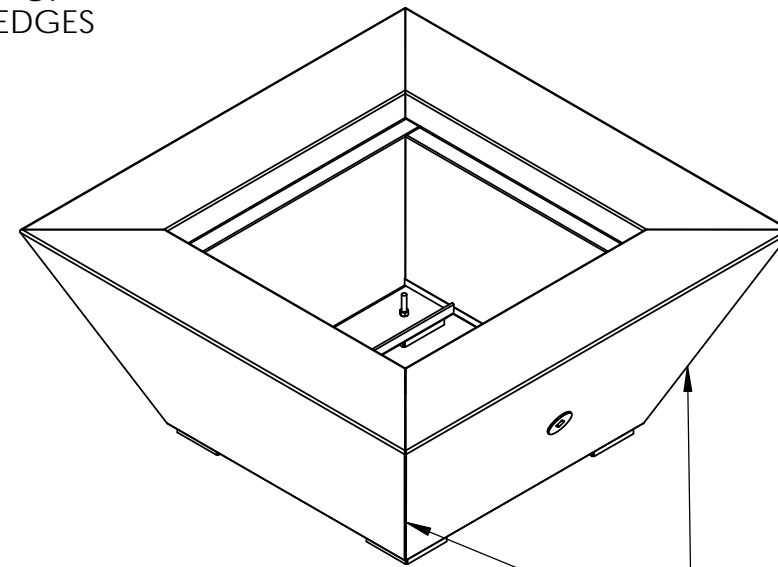
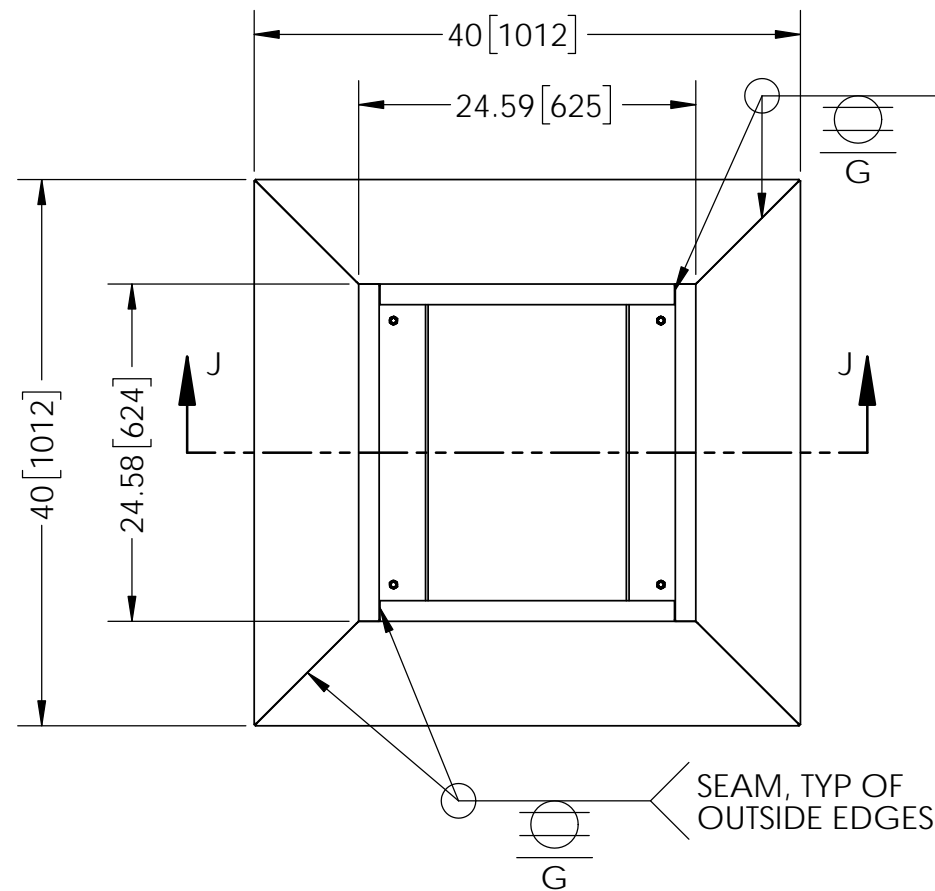
1

4

3

2

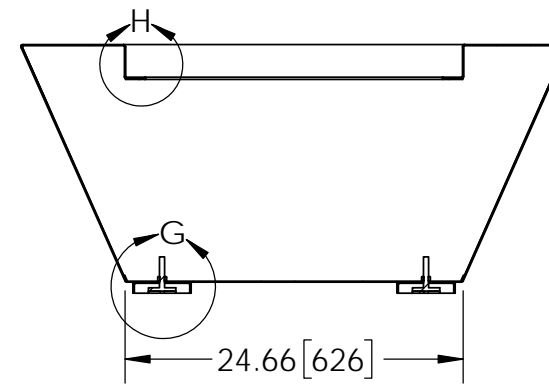
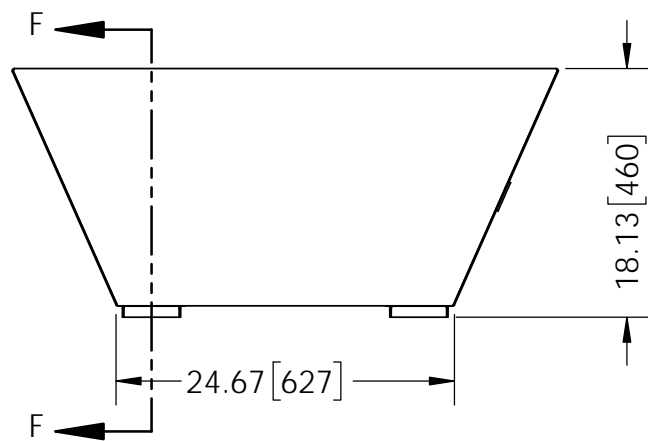
1



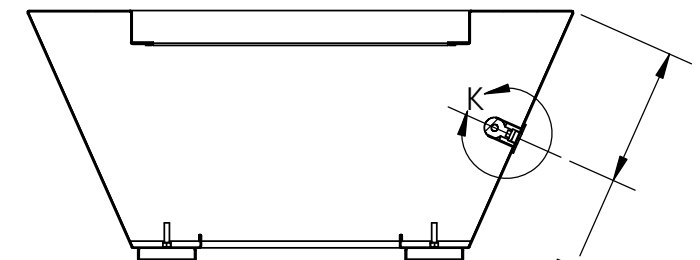
DETAIL K
SCALE 1 : 5

SEAM, TYP OF
OUTSIDE EDGES

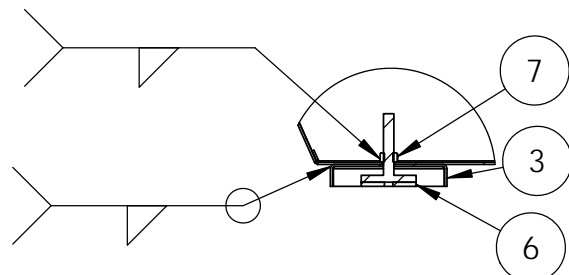
SEAM, TYP OF
OUTSIDE EDGES



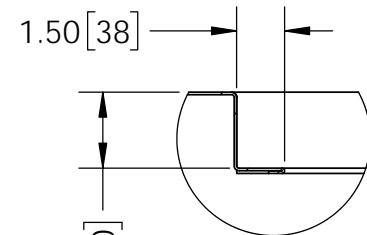
SECTION F-F



SECTION J-J



DETAIL G
SCALE 1 : 7



DETAIL H
SCALE 1 : 6

PROPRIETARY AND CONFIDENTIAL
 THE INFORMATION CONTAINED IN THIS DRAWING IS THE SOLE PROPERTY OF STARFIRE DIRECT. ANY REPRODUCTION IN PART OR AS A WHOLE WITHOUT THE WRITTEN PERMISSION OF STARFIRE DIRECT IS PROHIBITED.

		UNLESS OTHERWISE SPECIFIED:	NAME	DATE	TITLE:	
		DIMENSIONS ARE IN INCHES	DRAWN		<h1>SS FIRE PIT 40"X40"X18"</h1>	
		TOLERANCES:	CHECKED			
		FRACTIONAL: $\pm 1/8"$	ENG APPR.			
		ANGULAR: MACH \pm BEND \pm	MFG APPR.			
		TWO PLACE DECIMAL \pm	Q.A.		SIZE	DWG. NO.
		THREE PLACE DECIMAL \pm			B	SS_0316design-Fab
		INTERPRET GEOMETRIC TOLERANCING PER:			SCALE: 1:14	WEIGHT:
		MATERIAL			SHEET 2 OF 6	
NEXT ASSY	USED ON	FINISH				
APPLICATION		DO NOT SCALE DRAWING				

4

3

2

1

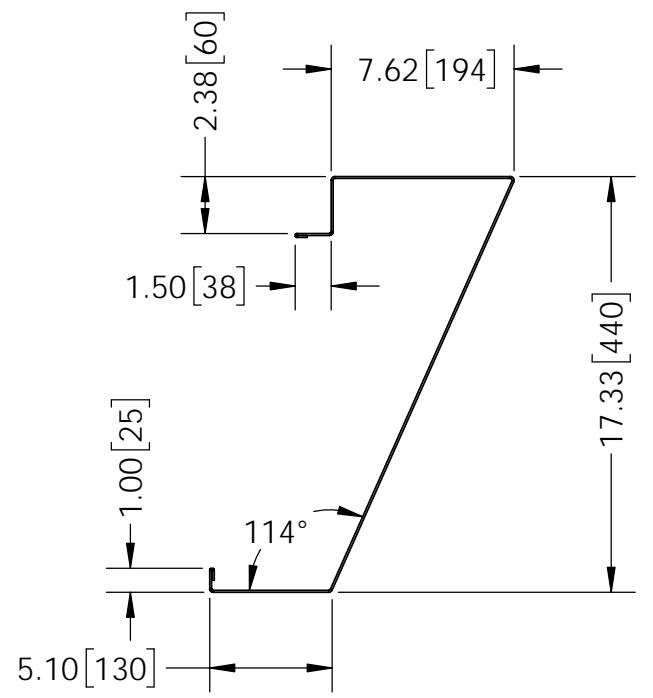
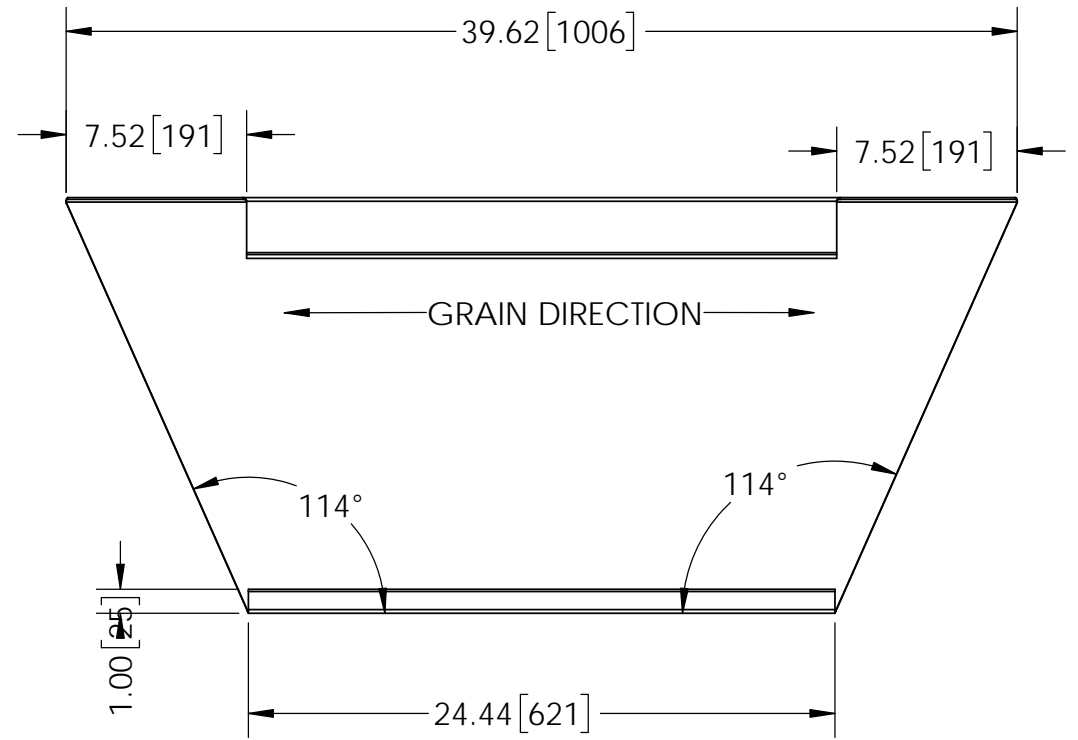
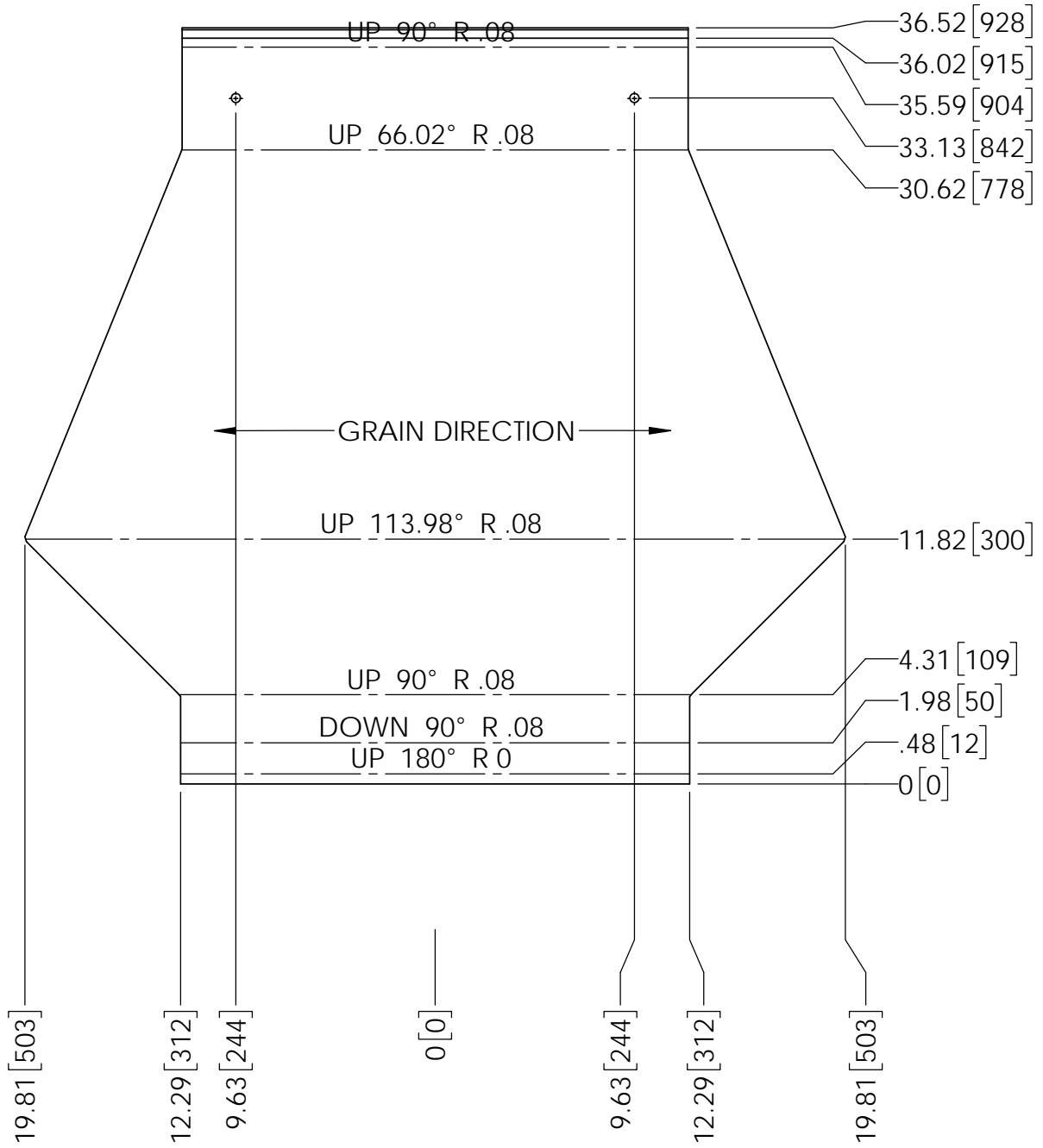
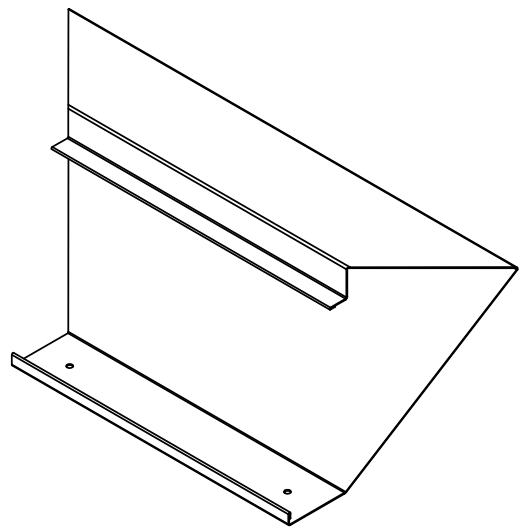
B

B

A

A

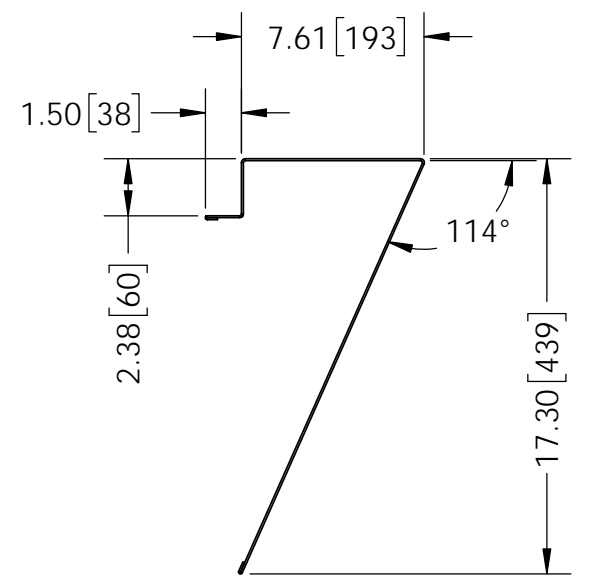
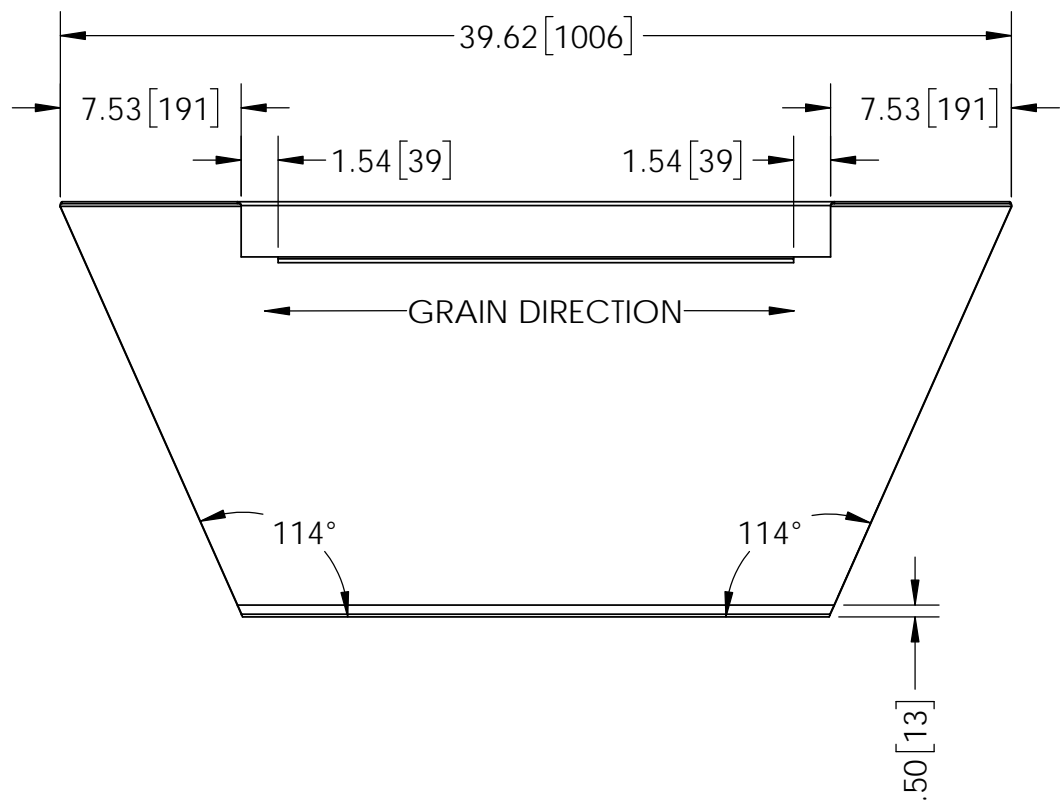
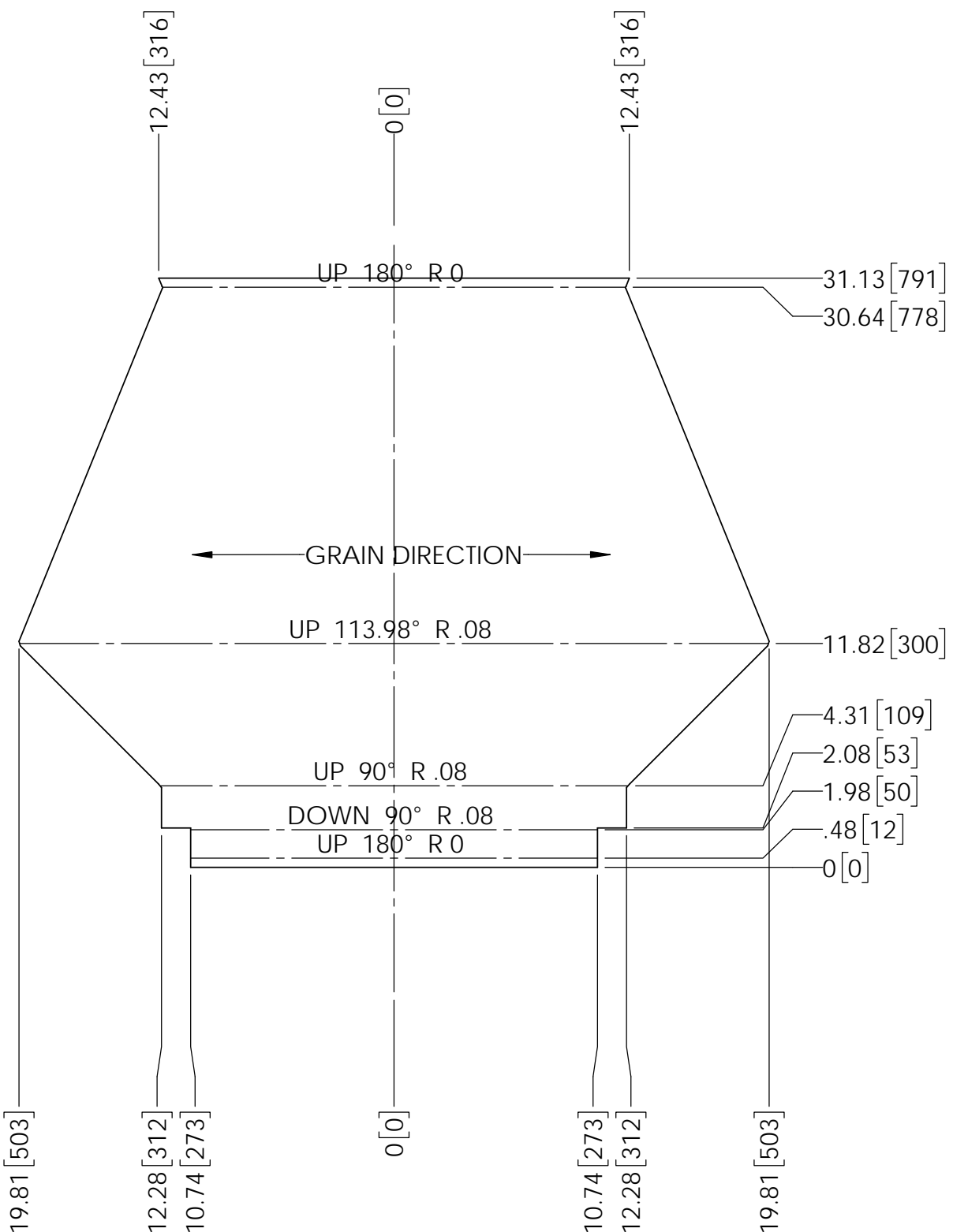
MATERIAL: TYPE 304 STAINLESS, 14 GA
FINISH: GRAINED



PROPRIETARY AND CONFIDENTIAL
 THE INFORMATION CONTAINED IN THIS DRAWING IS THE SOLE PROPERTY OF STARFIRE DIRECT. ANY REPRODUCTION IN PART OR AS A WHOLE WITHOUT THE WRITTEN PERMISSION OF STARFIRE DIRECT IS PROHIBITED.

		UNLESS OTHERWISE SPECIFIED:		NAME	DATE	TITLE:	
		DIMENSIONS ARE IN INCHES TOLERANCES: FRACTIONAL ± 1/8" ANGULAR: MACH ± BEND ± TWO PLACE DECIMAL ± THREE PLACE DECIMAL ±		DRAWN		SS FIRE PIT 40"X40"X18"	
		INTERPRET GEOMETRIC TOLERANCING PER:		CHECKED		SIZE	DWG. NO.
		MATERIAL		ENG APPR.		B	SS_0316design-Fab
NEXT ASSY		USED ON		MFG APPR.		SCALE: 1:8	WEIGHT:
APPLICATION		DO NOT SCALE DRAWING		Q.A.			REV
							A
						SHEET 3 OF 6	

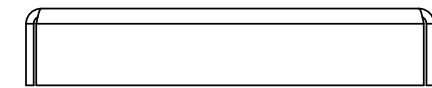
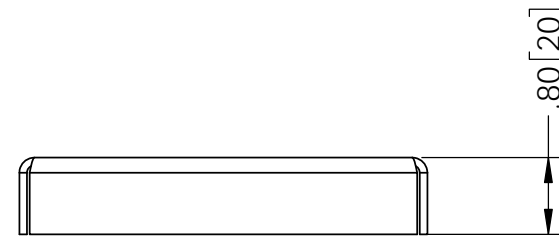
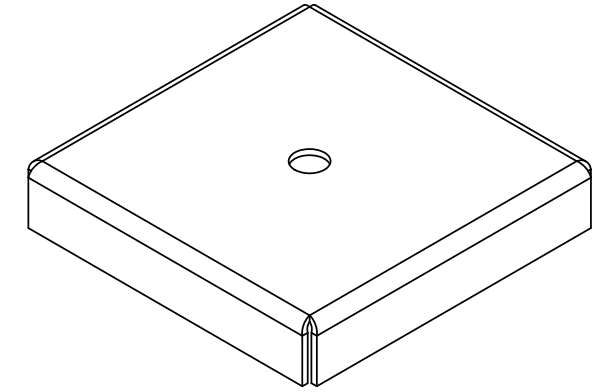
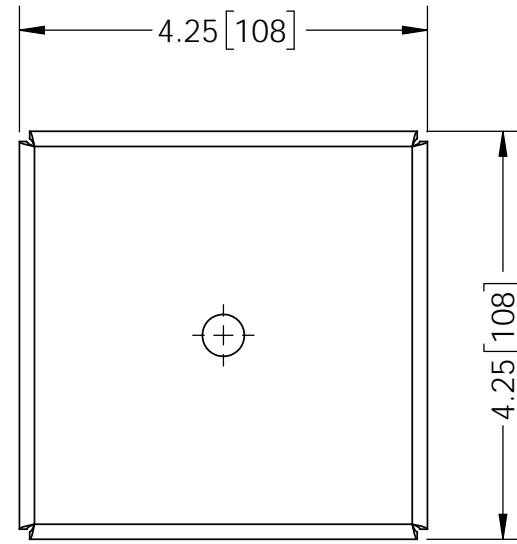
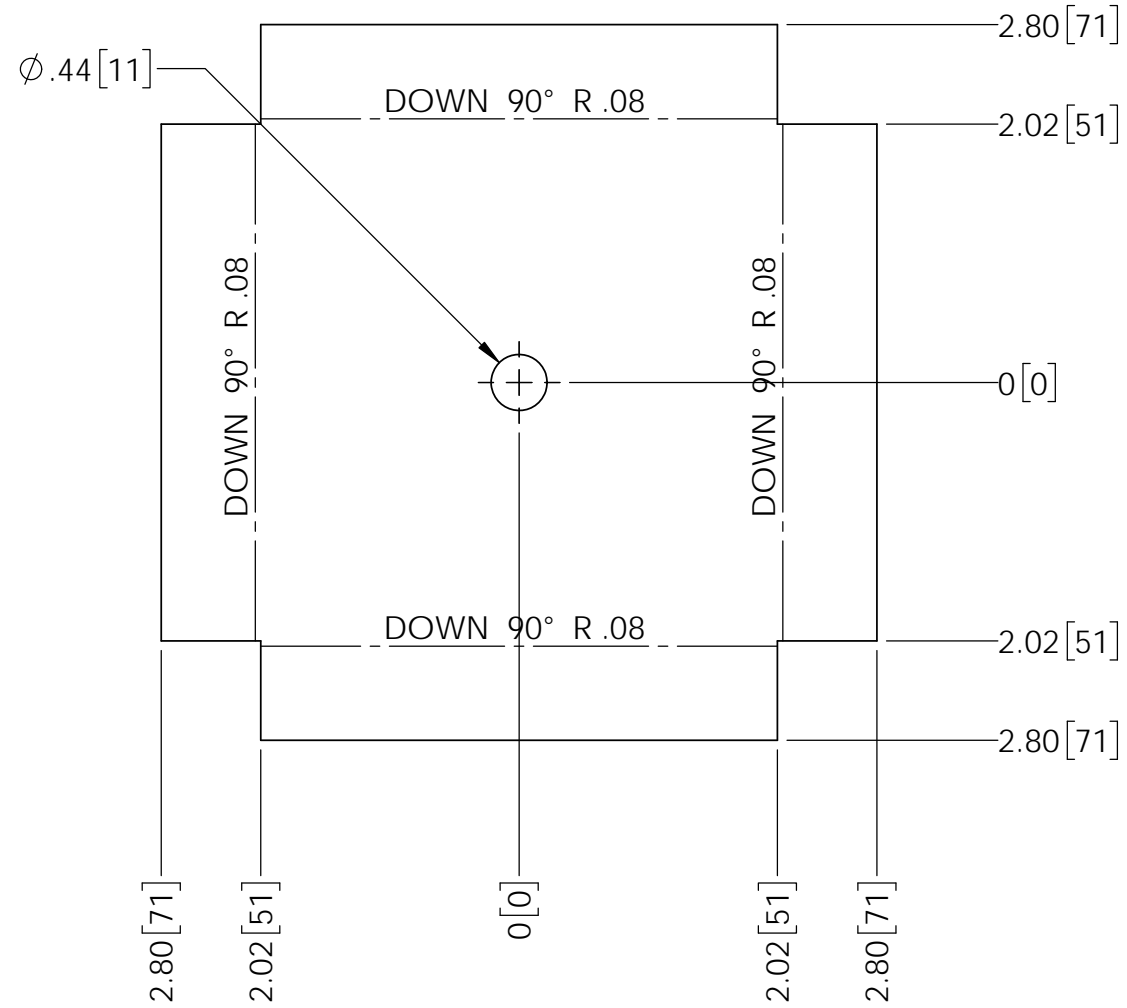
MATERIAL: TYPE 304 STAINLESS, 14 GA
FINISH: GRAINED



PROPRIETARY AND CONFIDENTIAL
 THE INFORMATION CONTAINED IN THIS DRAWING IS THE SOLE PROPERTY OF STARFIRE DIRECT. ANY REPRODUCTION IN PART OR AS A WHOLE WITHOUT THE WRITTEN PERMISSION OF STARFIRE DIRECT IS PROHIBITED.

		UNLESS OTHERWISE SPECIFIED:		NAME	DATE	TITLE:	
		DIMENSIONS ARE IN INCHES TOLERANCES: FRACTIONAL ± 1/8" ANGULAR: MACH ± BEND ± TWO PLACE DECIMAL ± THREE PLACE DECIMAL ±		DRAWN		SS FIRE PIT 40"X40"X18"	
		INTERPRET GEOMETRIC TOLERANCING PER:		CHECKED		SIZE	DWG. NO.
		MATERIAL		ENG APPR.		B	SS_0316design-Fab
NEXT ASSY		USED ON		MFG APPR.		SCALE: 1:8	WEIGHT:
APPLICATION		DO NOT SCALE DRAWING		Q.A.			
		FINISH				REV	A
						SHEET 4 OF 6	

MATERIAL: TYPE 304 STAINLESS, 14 GA
FINISH: GRAINED



PROPRIETARY AND CONFIDENTIAL
 THE INFORMATION CONTAINED IN THIS DRAWING IS THE SOLE PROPERTY OF STARFIRE DIRECT. ANY REPRODUCTION IN PART OR AS A WHOLE WITHOUT THE WRITTEN PERMISSION OF STARFIRE DIRECT IS PROHIBITED.

		UNLESS OTHERWISE SPECIFIED:	NAME	DATE	TITLE:	
		DIMENSIONS ARE IN INCHES	DRAWN		SS FIRE PIT 40"X40"X18"	
		TOLERANCES:	CHECKED			
		FRACTIONAL: $\pm 1/8"$	ENG APPR.			
		ANGULAR: MACH \pm BEND \pm	MFG APPR.			
		TWO PLACE DECIMAL \pm	Q.A.		SIZE	DWG. NO.
		THREE PLACE DECIMAL \pm			B	SS_0316design-Fab
		INTERPRET GEOMETRIC TOLERANCING PER:	STARFIRE DESIGNS		REV	A
		MATERIAL			SCALE: 1:1	WEIGHT:
NEXT ASSY	USED ON	FINISH			SHEET 5 OF 6	
APPLICATION		DO NOT SCALE DRAWING				

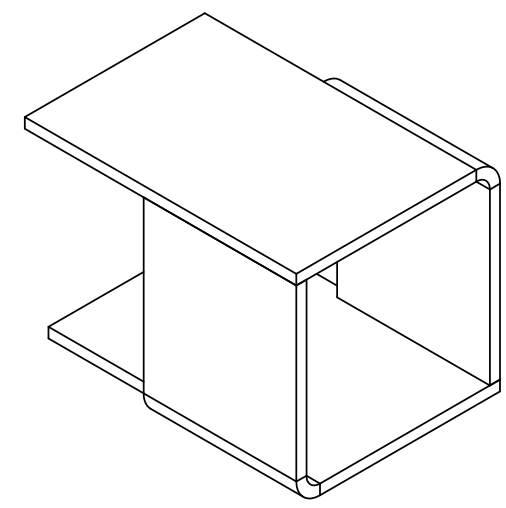
4

3

2

1

MATERIAL: TYPE 304 STAINLESS, 14 GA
FINISH: GRAINED

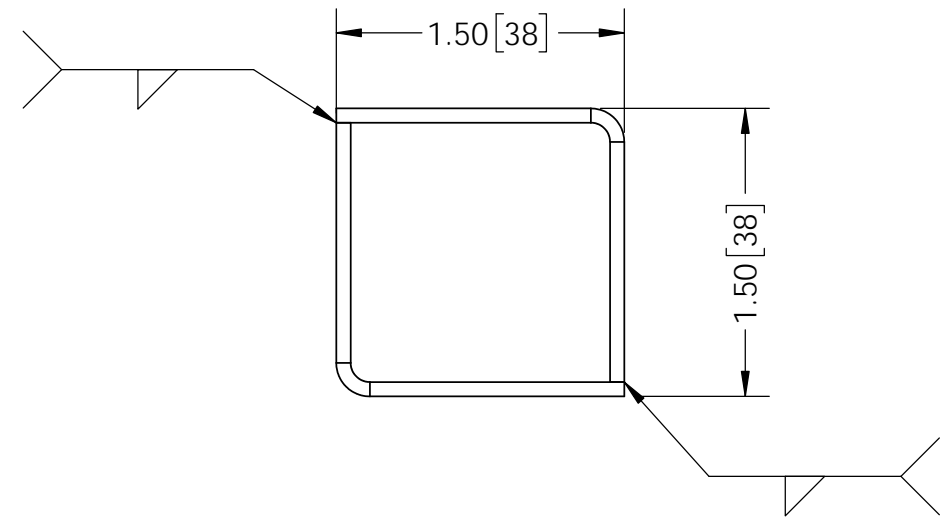
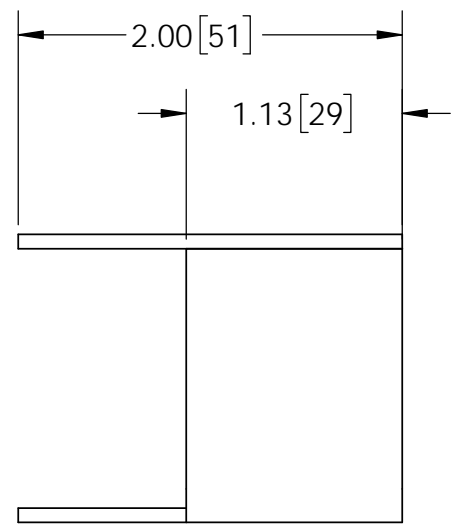
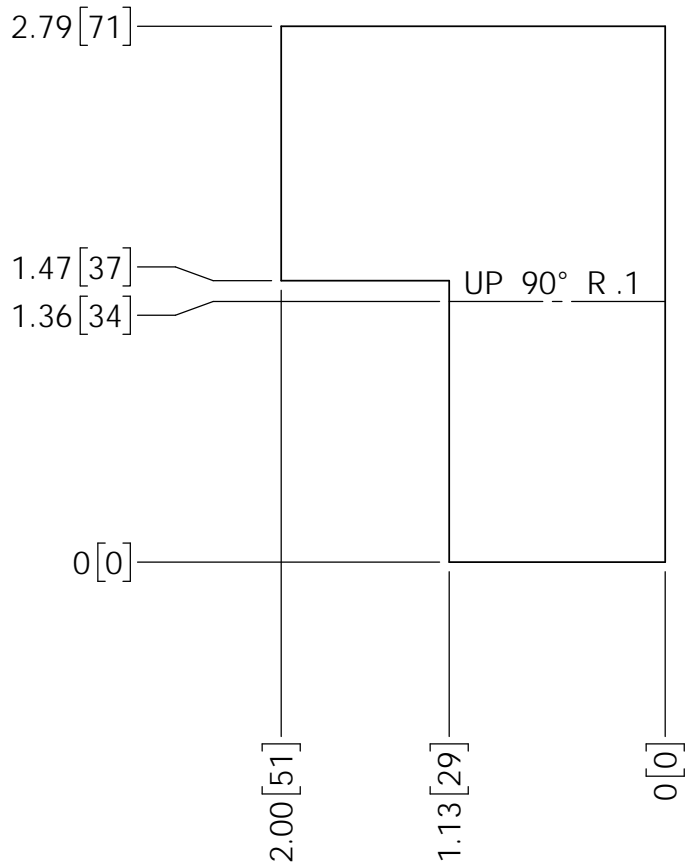


B

B

A

A



PROPRIETARY AND CONFIDENTIAL
THE INFORMATION CONTAINED IN THIS DRAWING IS THE SOLE PROPERTY OF STARFIRE DIRECT. ANY REPRODUCTION IN PART OR AS A WHOLE WITHOUT THE WRITTEN PERMISSION OF STARFIRE DIRECT IS PROHIBITED.

		UNLESS OTHERWISE SPECIFIED:	NAME	DATE	TITLE:		
		DIMENSIONS ARE IN INCHES	DRAWN		SS FIRE PIT 40"X40"X18"		
		TOLERANCES:	CHECKED				
		FRACTIONAL: ± 1/8"	ENG APPR.				
		ANGULAR: MACH ± BEND ±	MFG APPR.				
		TWO PLACE DECIMAL ±	Q.A.		SIZE	DWG. NO.	
		THREE PLACE DECIMAL ±			B	SS_0316design-Fab	
		INTERPRET GEOMETRIC TOLERANCING PER:			SCALE: 1:1	WEIGHT:	REV
		MATERIAL					A
NEXT ASSY	USED ON	FINISH			SHEET 6 OF 6		
APPLICATION		DO NOT SCALE DRAWING					

4

3

2

1