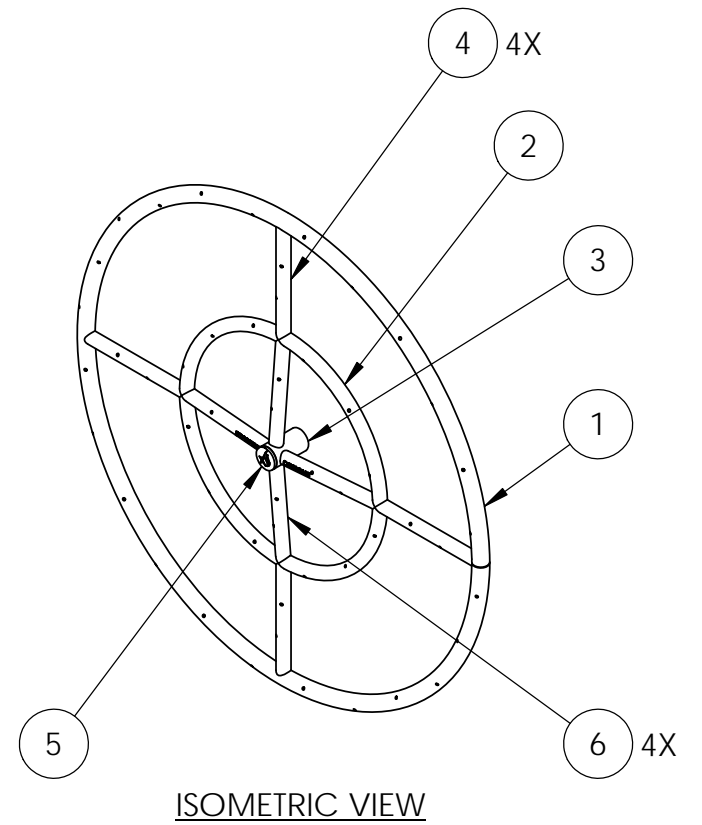
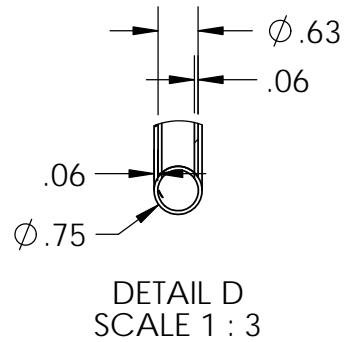
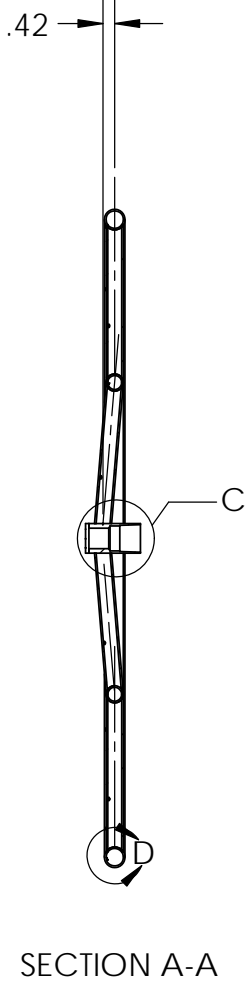
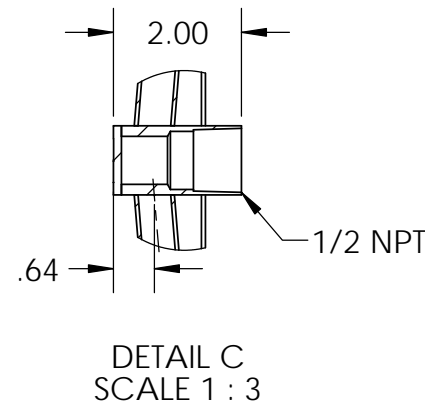
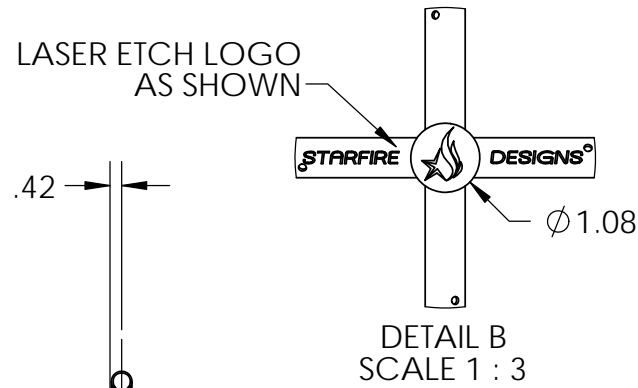
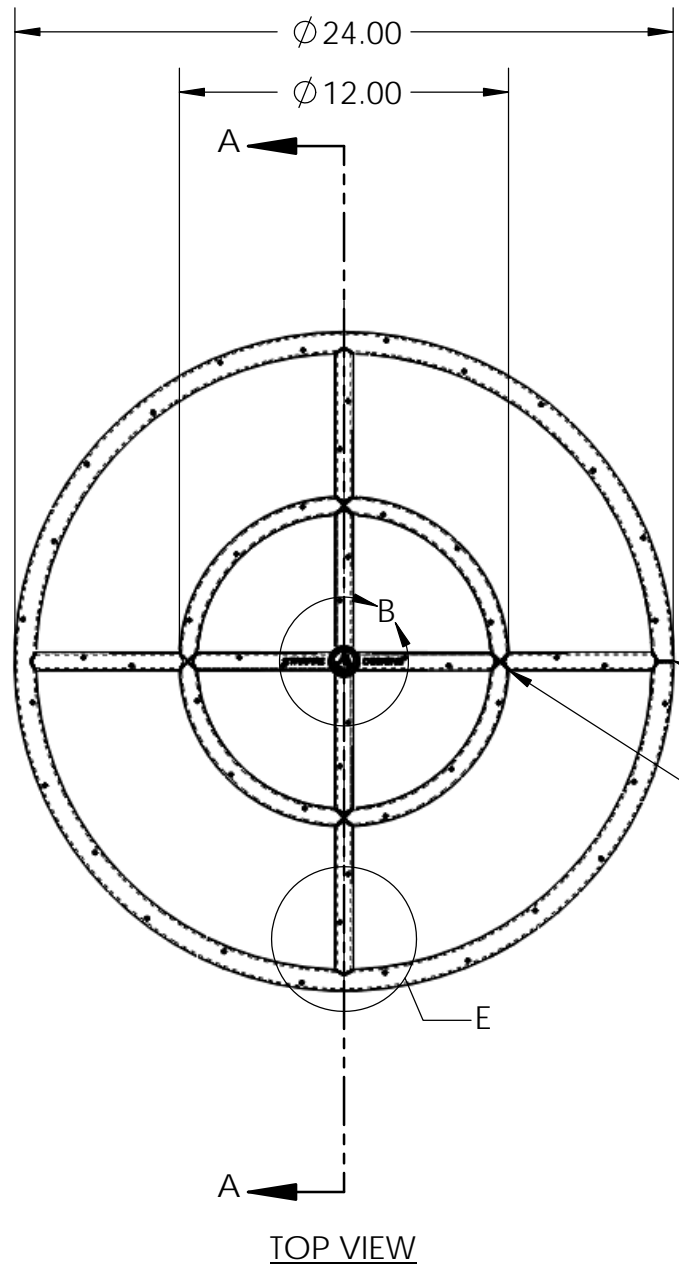


4

3

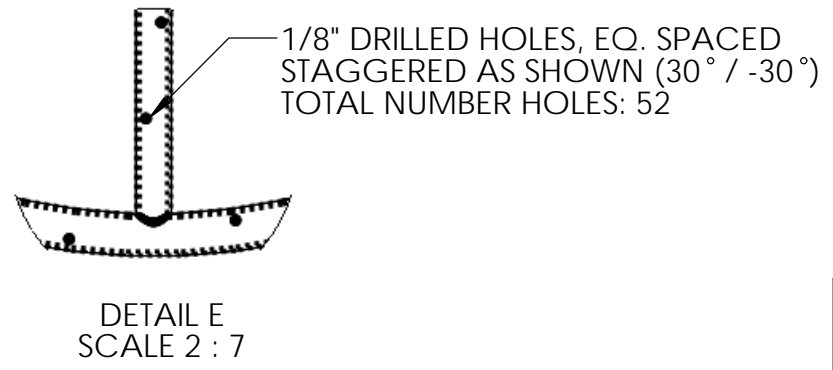
2

1



- NOTES:**
1. ALL DIMENSIONS ARE IN INCHES UNLESS OTHERWISE SPECIFIED.
  2. MATERIAL: 304SS
  3. UNIT WEIGHT: \_\_\_\_\_ LBS
  4. FOR OUTDOOR USE ONLY

ITEM NO.	QTY.	DESCRIPTION	LENGTH
6	4	AI RND TUBE 0.625 OD x 0.058 Wall	5.27
5	1	END CAP, 1/8" THK	
4	4	AI RND TUBE 0.625 OD x 0.058 Wall	5.73
3	1	AI RND TUBE 1 OD x 0.095 Wall	1.88
2	1	AI RND TUBE 0.625 OD x 0.058 Wall	35.74
1	1	AI RND TUBE 0.75 OD x 0.058 Wall	73.04



**PROPRIETARY AND CONFIDENTIAL**  
 THE INFORMATION CONTAINED IN THIS DRAWING IS THE SOLE PROPERTY OF STARFIRE DIRECT. ANY REPRODUCTION IN PART OR AS A WHOLE WITHOUT THE WRITTEN PERMISSION OF STARFIRE DIRECT IS PROHIBITED.

UNLESS OTHERWISE SPECIFIED:	NAME	DATE	TITLE:
DIMENSIONS ARE IN INCHES	DRAWN		<b>ROUND BURNER</b> Ø 24" OD
TOLERANCES:	CHECKED		
FRACTIONAL ± 1/8"	ENG APPR.		
ANGULAR: MACH ± BEND ±	MFG APPR.		
TWO PLACE DECIMAL ±	Q.A.		
THREE PLACE DECIMAL ±			
INTERPRET GEOMETRIC TOLERANCING PER:			SIZE <b>B</b>
MATERIAL 304 SS			DWG. NO. SD-FR-24
FINISH			REV <b>A</b>
NEXT ASSY	USED ON	SCALE: 1:7 WEIGHT: SHEET 1 OF 1	
APPLICATION	DO NOT SCALE DRAWING		

4

3

2

1