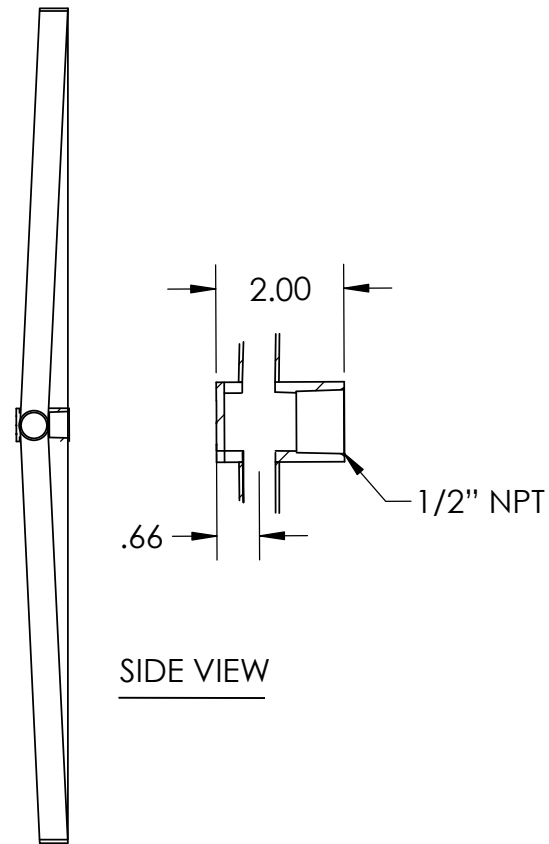
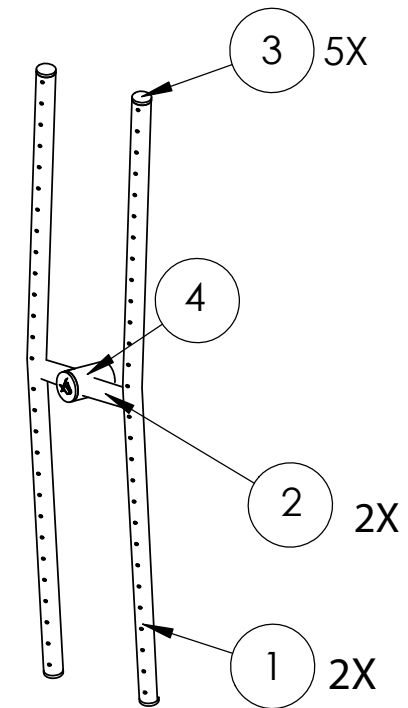


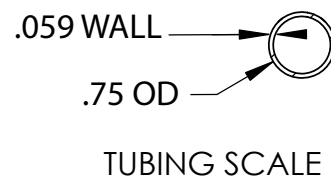
TOP VIEW



SIDE VIEW



ISOMETRIC VIEW



TUBING SCALE

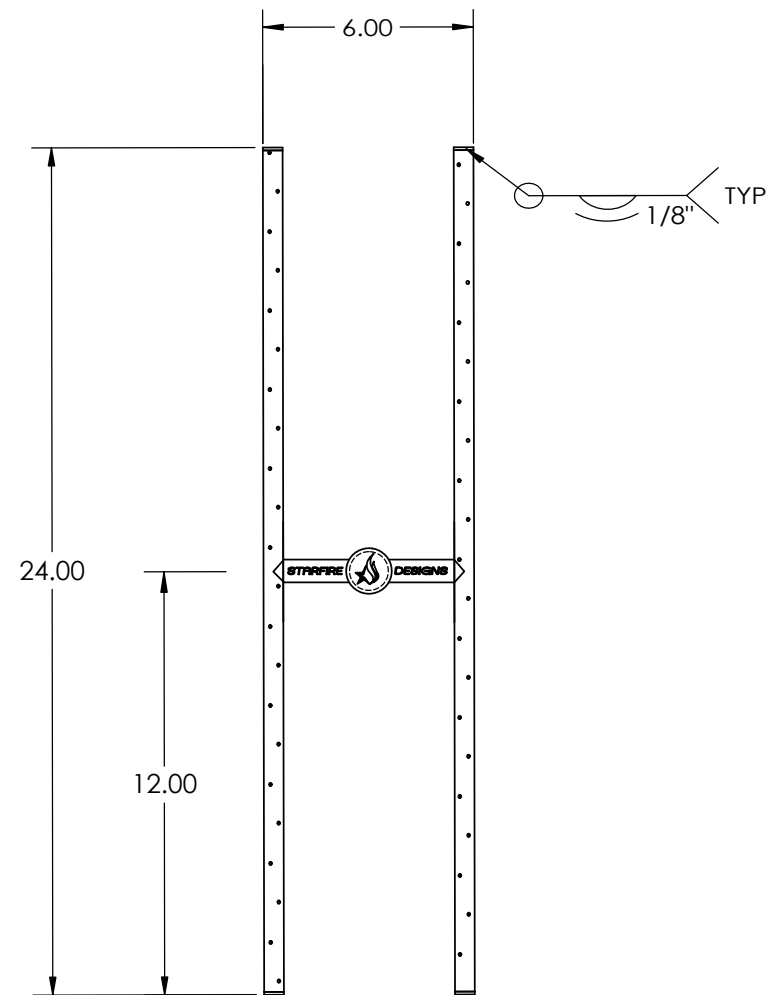
ITEM NO.	QTY.	PART NUMBER	DESCRIPTION
4	1	-	AL RND TUBE 1.25 OD x 0.125 WALL
3	5		END CAP, 1/8" THK
2	2		AL RND TUBE 0.75 OD x 0.059 WALL
1	2	-	AL RND TUBE 0.75 OD x 0.059 WALL

- NOTES:**
- ALL DIMENSIONS ARE IN INCHES UNLESS OTHERWISE SPECIFIED.
 - MATERIAL: 304SS
 - UNIT WEIGHT: _____ LBS

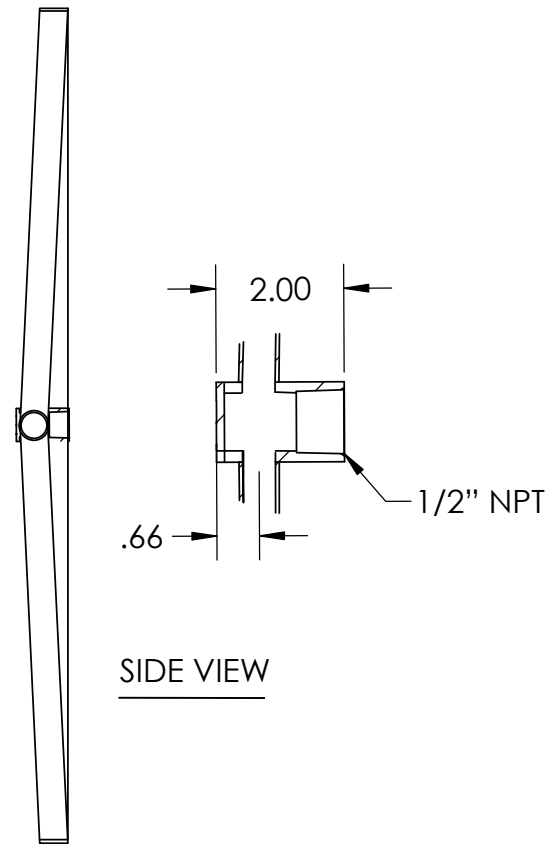
PROPRIETARY AND CONFIDENTIAL
 THE INFORMATION CONTAINED IN THIS DRAWING IS THE SOLE PROPERTY OF STARFIRE DIRECT. ANY REPRODUCTION IN PART OR AS A WHOLE WITHOUT THE WRITTEN PERMISSION OF STARFIRE DIRECT IS PROHIBITED.

UNLESS OTHERWISE SPECIFIED:		NAME	DATE	TITLE:
DIMENSIONS ARE IN INCHES	DRAWN			FIRE PIT H-BURNER - 18" X 6"
TOLERANCES:	CHECKED			
FRACTIONAL ± 1/8"	ENG APPR.			
ANGULAR: MACH ± BEND ±	MFG APPR.			
TWO PLACE DECIMAL ±	Q.A.			
THREE PLACE DECIMAL ±				
INTERPRET GEOMETRIC TOLERANCING PER:				
MATERIAL				
FINISH				
DO NOT SCALE DRAWING				

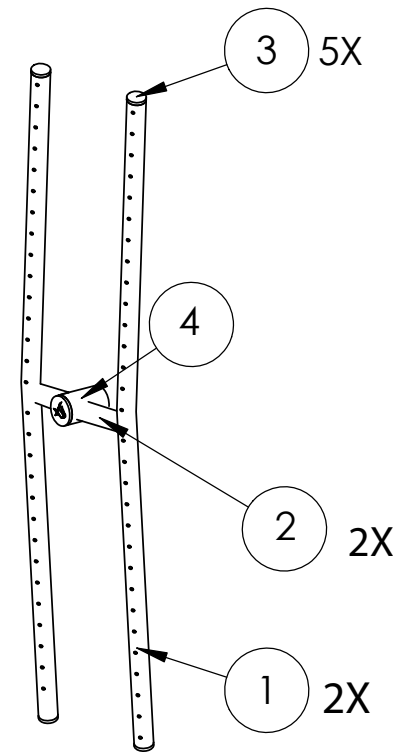
SIZE	DWG. NO.	REV
B	SD-FPH-18	A
SCALE: 1:5	WEIGHT:	SHEET 1 OF 1



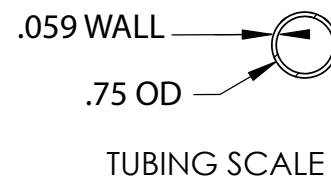
TOP VIEW



SIDE VIEW



ISOMETRIC VIEW



TUBING SCALE

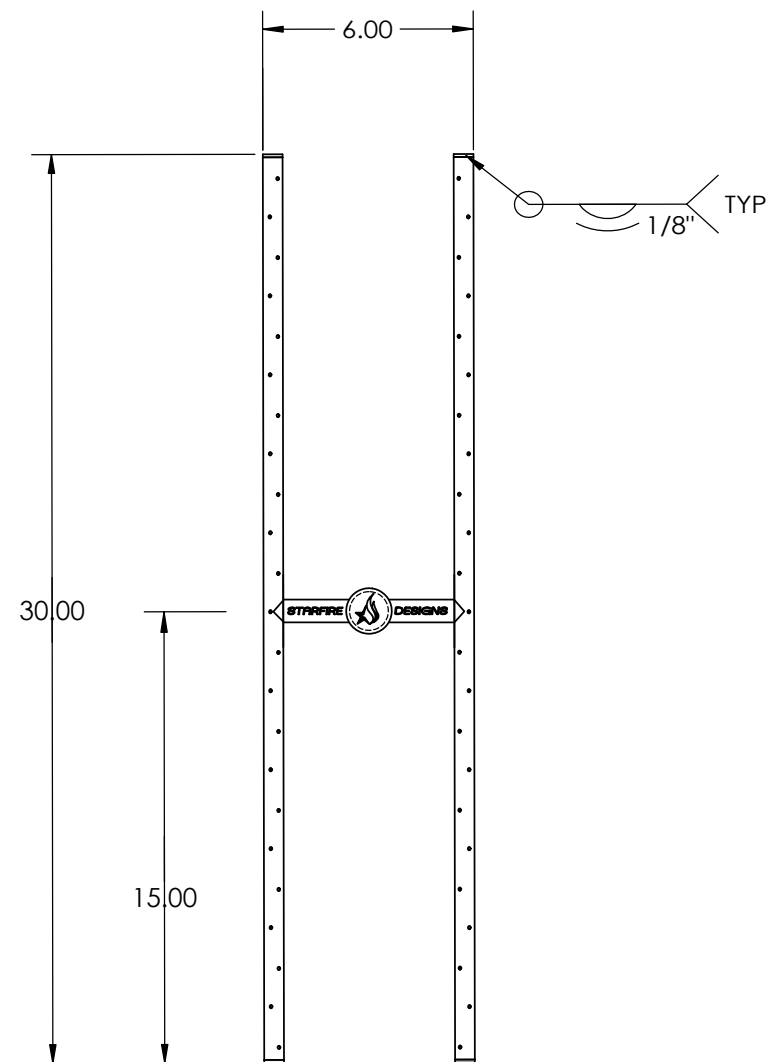
ITEM NO.	QTY.	PART NUMBER	DESCRIPTION
4	1	-	AL RND TUBE 1.25 OD x 0.125 WALL
3	5		END CAP, 1/8" THK
2	2		AL RND TUBE 0.75 OD x 0.059 WALL
1	2	-	AL RND TUBE 0.75 OD x 0.059 WALL

- NOTES:**
- ALL DIMENSIONS ARE IN INCHES UNLESS OTHERWISE SPECIFIED.
 - MATERIAL: 304SS
 - UNIT WEIGHT: _____ LBS

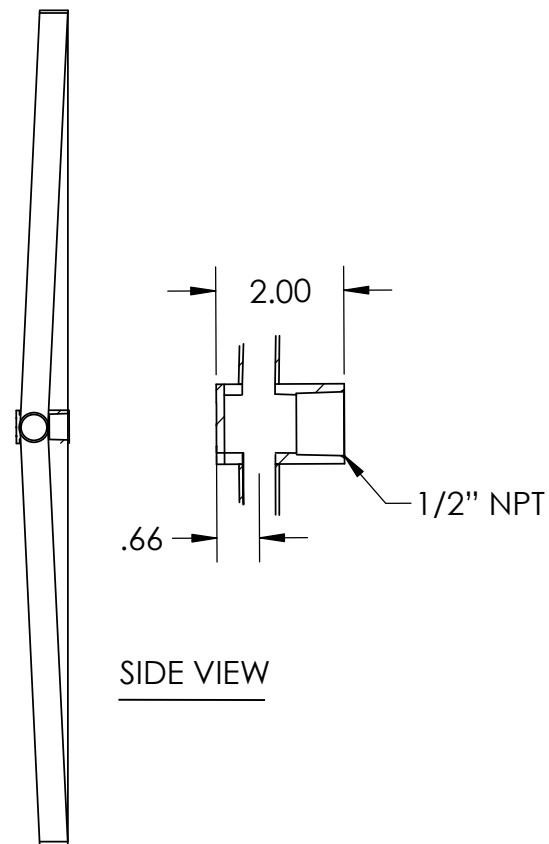
PROPRIETARY AND CONFIDENTIAL
 THE INFORMATION CONTAINED IN THIS DRAWING IS THE SOLE PROPERTY OF STARFIRE DIRECT. ANY REPRODUCTION IN PART OR AS A WHOLE WITHOUT THE WRITTEN PERMISSION OF STARFIRE DIRECT IS PROHIBITED.

UNLESS OTHERWISE SPECIFIED:		NAME	DATE	TITLE:	
DIMENSIONS ARE IN INCHES	DRAWN			FIRE PIT H-BURNER - 24" X 6"	
TOLERANCES:	CHECKED				
FRACTIONAL ± 1/8"	ENG APPR.				
ANGULAR: MACH ± BEND ±	MFG APPR.				
TWO PLACE DECIMAL ±	Q.A.			SIZE	
THREE PLACE DECIMAL ±				DWG. NO.	
INTERPRET GEOMETRIC				B	SD-FPH-24
TOLERANCING PER:				SCALE: 1:5	WEIGHT:
MATERIAL					SHEET 1 OF 1
FINISH					
DO NOT SCALE DRAWING					

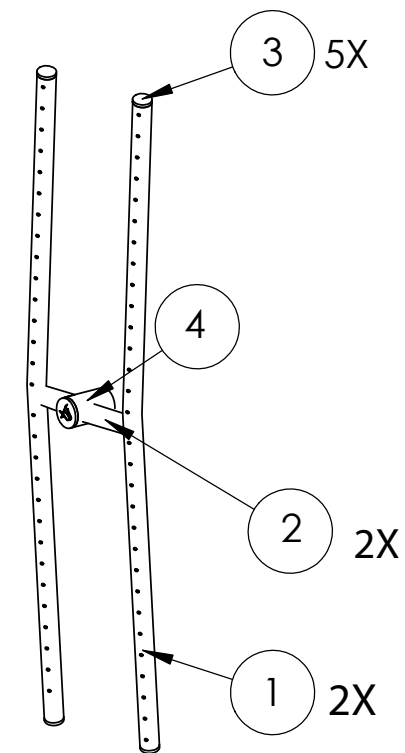
REV	A
-----	----------



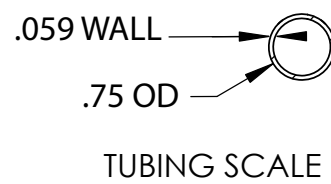
TOP VIEW



SIDE VIEW



ISOMETRIC VIEW



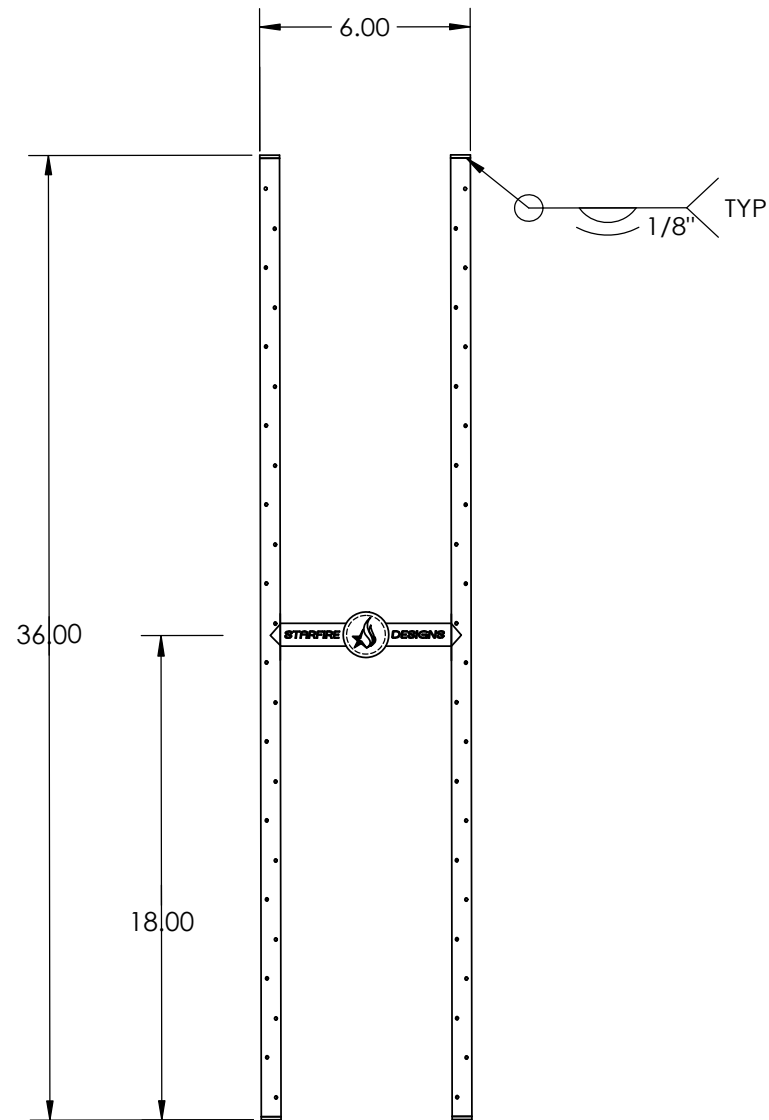
TUBING SCALE

- NOTES:**
1. ALL DIMENSIONS ARE IN INCHES UNLESS OTHERWISE SPECIFIED.
 2. MATERIAL: 304SS
 3. UNIT WEIGHT: _____ LBS

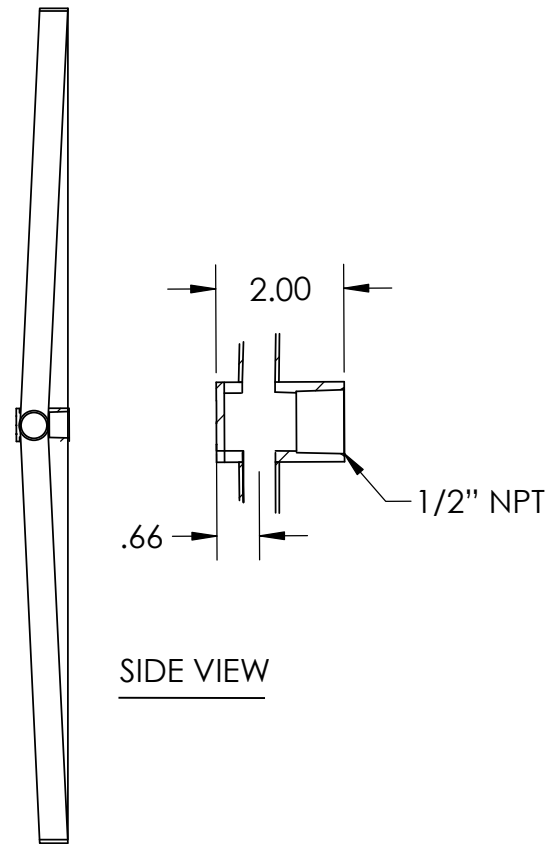
ITEM NO.	QTY.	PART NUMBER	DESCRIPTION
4	1	-	AL RND TUBE 1.25 OD x 0.125 WALL
3	5		END CAP, 1/8" THK
2	2		AL RND TUBE 0.75 OD x 0.059 WALL
1	2	-	AL RND TUBE 0.75 OD x 0.059 WALL

UNLESS OTHERWISE SPECIFIED:		NAME	DATE	TITLE:	
DIMENSIONS ARE IN INCHES		DRAWN		FIRE PIT H-BURNER - 30" X 6"	
TOLERANCES:		CHECKED			
FRACTIONAL ± 1/8"		ENG APPR.			
ANGULAR: MACH ± BEND ±		MFG APPR.			
TWO PLACE DECIMAL ±		Q.A.		SIZE	DWG. NO.
THREE PLACE DECIMAL ±				B	SD-FPH-30
INTERPRET GEOMETRIC TOLERANCING PER:				SCALE: 1:5	WEIGHT:
MATERIAL				SHEET 1 OF 1	
FINISH					
DO NOT SCALE DRAWING					

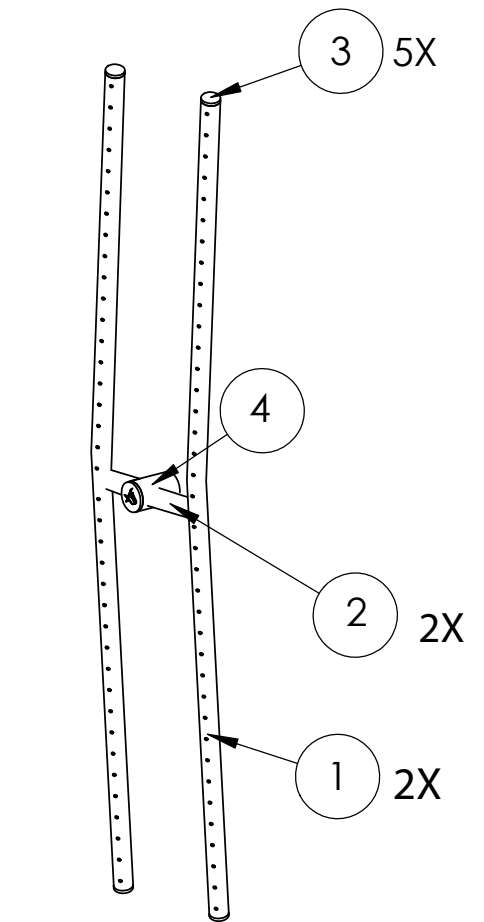
PROPRIETARY AND CONFIDENTIAL
 THE INFORMATION CONTAINED IN THIS DRAWING IS THE SOLE PROPERTY OF STARFIRE DIRECT. ANY REPRODUCTION IN PART OR AS A WHOLE WITHOUT THE WRITTEN PERMISSION OF STARFIRE DIRECT IS PROHIBITED.



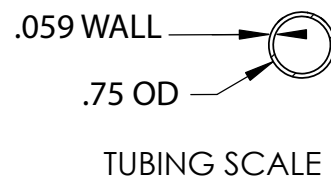
TOP VIEW



SIDE VIEW



ISOMETRIC VIEW



ITEM NO.	QTY.	PART NUMBER	DESCRIPTION
4	1	-	AL RND TUBE 1.25 OD x 0.125 WALL
3	5		END CAP, 1/8" THK
2	2		AL RND TUBE 0.75 OD x 0.059 WALL
1	2	-	AL RND TUBE 0.75 OD x 0.059 WALL

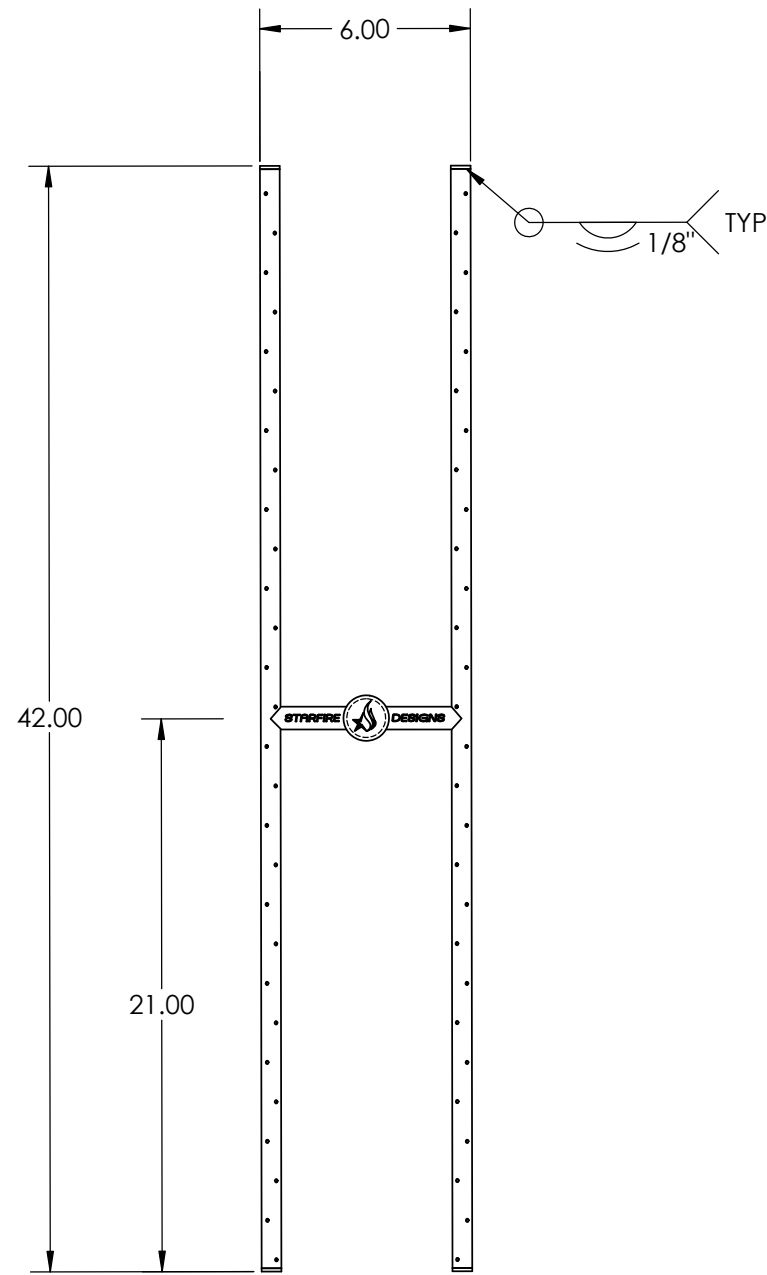
NOTES:

- ALL DIMENSIONS ARE IN INCHES UNLESS OTHERWISE SPECIFIED.
- MATERIAL: 304SS
- UNIT WEIGHT: _____ LBS

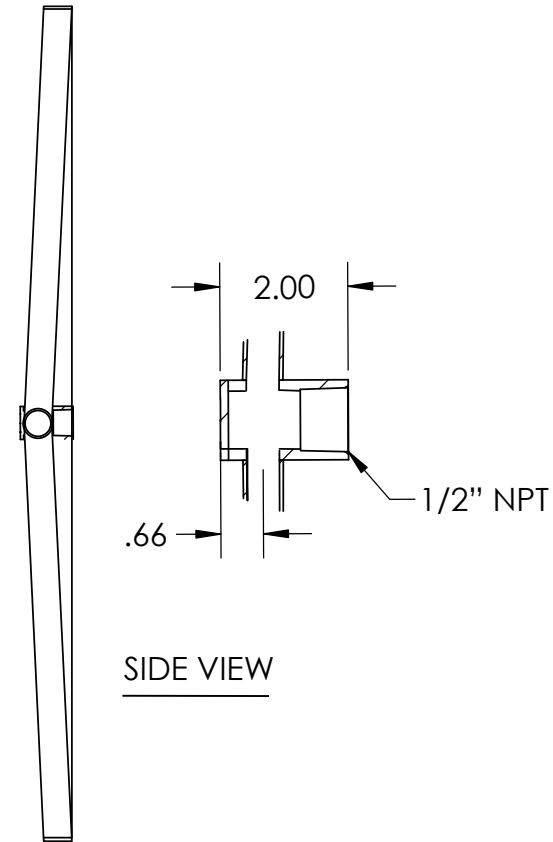
PROPRIETARY AND CONFIDENTIAL
 THE INFORMATION CONTAINED IN THIS DRAWING IS THE SOLE PROPERTY OF STARFIRE DIRECT. ANY REPRODUCTION IN PART OR AS A WHOLE WITHOUT THE WRITTEN PERMISSION OF STARFIRE DIRECT IS PROHIBITED.

UNLESS OTHERWISE SPECIFIED:		NAME	DATE	TITLE:
DIMENSIONS ARE IN INCHES	DRAWN			FIRE PIT H-BURNER - 36" X 6"
TOLERANCES:	CHECKED			
FRACTIONAL ± 1/8"	ENG APPR.			
ANGULAR: MACH ± BEND ±	MFG APPR.			
TWO PLACE DECIMAL ±	Q.A.			
THREE PLACE DECIMAL ±				
INTERPRET GEOMETRIC TOLERANCING PER:				
MATERIAL				
FINISH				
DO NOT SCALE DRAWING				

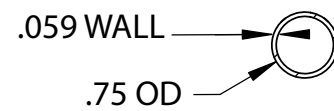
SIZE	DWG. NO.	REV
B	SD-FPH-36	A
SCALE: 1:5	WEIGHT:	SHEET 1 OF 1



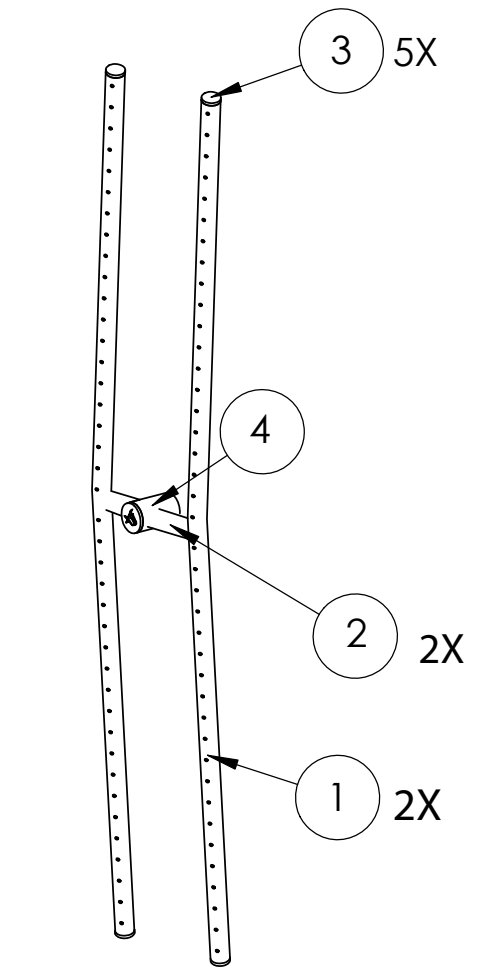
TOP VIEW



SIDE VIEW



TUBING SCALE



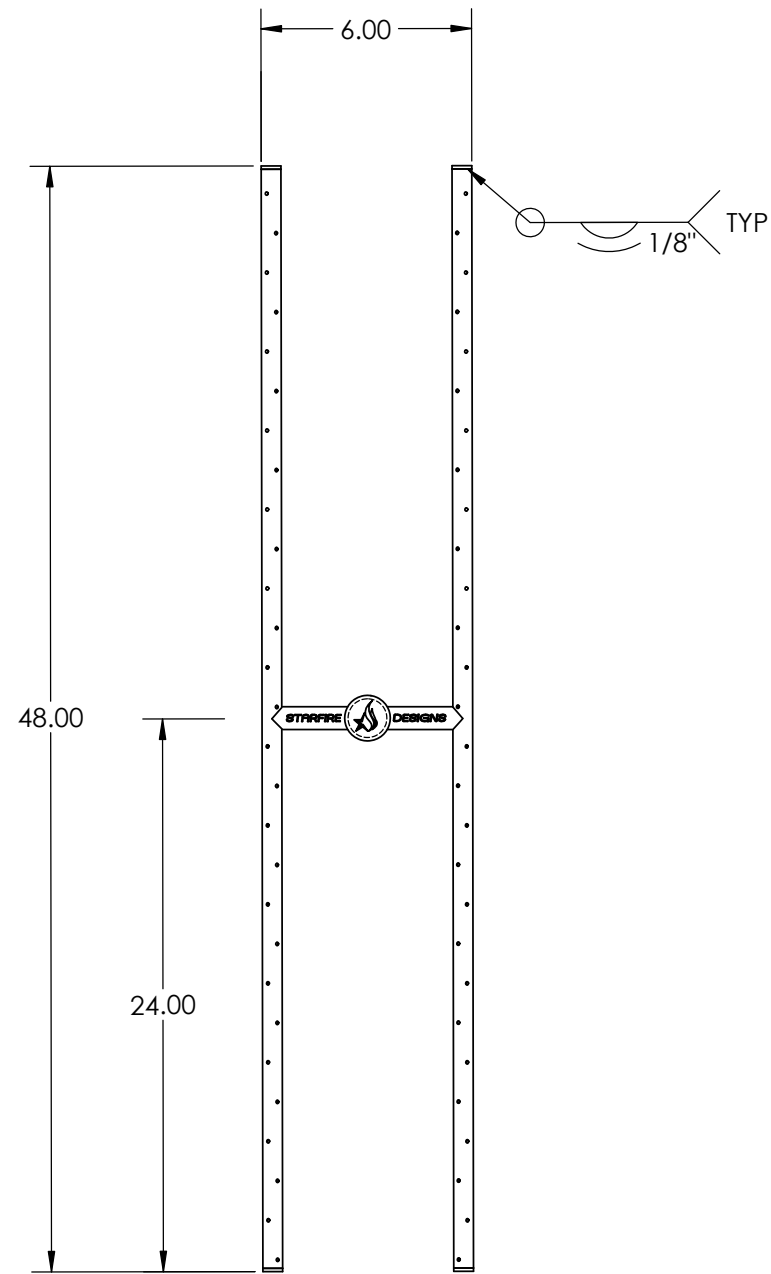
ISOMETRIC VIEW

- NOTES:**
- ALL DIMENSIONS ARE IN INCHES UNLESS OTHERWISE SPECIFIED.
 - MATERIAL: 304SS
 - UNIT WEIGHT: _____ LBS

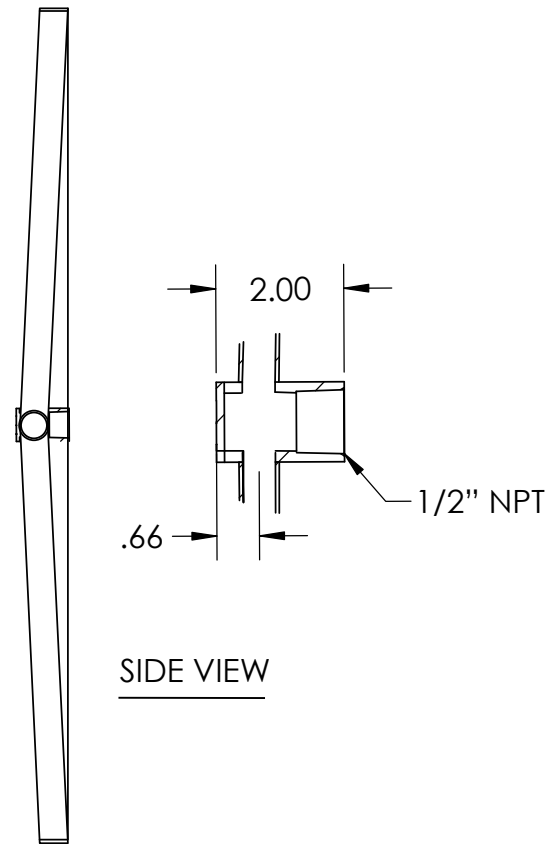
ITEM NO.	QTY.	PART NUMBER	DESCRIPTION
4	1	-	AL RND TUBE 1.25 OD x 0.125 WALL
3	5		END CAP, 1/8" THK
2	2		AL RND TUBE 0.75 OD x 0.059 WALL
1	2	-	AL RND TUBE 0.75 OD x 0.059 WALL

UNLESS OTHERWISE SPECIFIED:		NAME	DATE	TITLE:	
DIMENSIONS ARE IN INCHES		DRAWN		FIRE PIT H-BURNER - 42" X 6"	
TOLERANCES:		CHECKED			
FRACTIONAL ± 1/8"		ENG APPR.			
ANGULAR: MACH ± BEND ±		MFG APPR.			
TWO PLACE DECIMAL ±		Q.A.		SIZE	DWG. NO.
THREE PLACE DECIMAL ±				B	SD-FPH-42
INTERPRET GEOMETRIC TOLERANCING PER:		STARFIRE DESIGNS		REV	A
MATERIAL		DO NOT SCALE DRAWING		SCALE: 1:5	WEIGHT:
FINISH					SHEET 1 OF 1

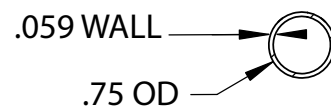
PROPRIETARY AND CONFIDENTIAL
THE INFORMATION CONTAINED IN THIS DRAWING IS THE SOLE PROPERTY OF STARFIRE DIRECT. ANY REPRODUCTION IN PART OR AS A WHOLE WITHOUT THE WRITTEN PERMISSION OF STARFIRE DIRECT IS PROHIBITED.



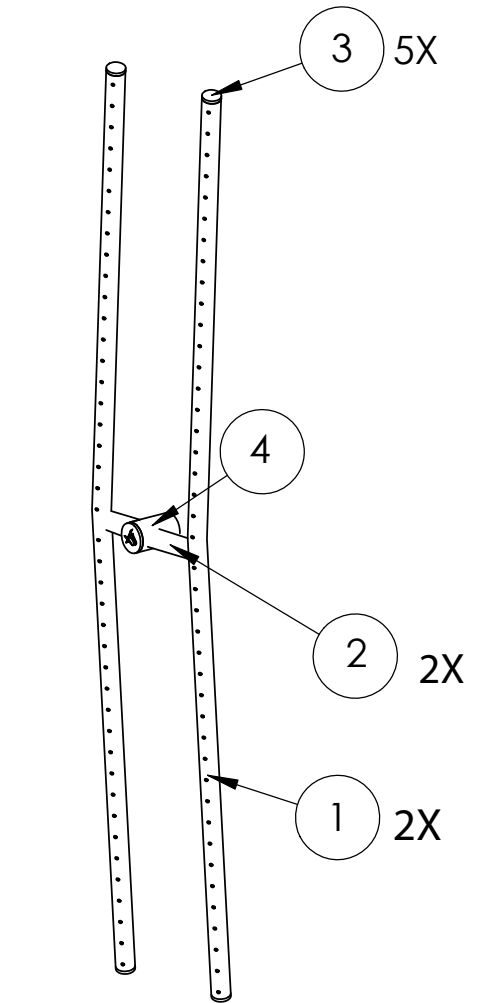
TOP VIEW



SIDE VIEW



TUBING SCALE



ISOMETRIC VIEW

- NOTES:**
- ALL DIMENSIONS ARE IN INCHES UNLESS OTHERWISE SPECIFIED.
 - MATERIAL: 304SS
 - UNIT WEIGHT: _____ LBS

ITEM NO.	QTY.	PART NUMBER	DESCRIPTION
4	1	-	AL RND TUBE 1.25 OD x 0.125 WALL
3	5		END CAP, 1/8" THK
2	2		AL RND TUBE 0.75 OD x 0.059 WALL
1	2	-	AL RND TUBE 0.75 OD x 0.059 WALL

UNLESS OTHERWISE SPECIFIED:		NAME	DATE	TITLE:	
DIMENSIONS ARE IN INCHES		DRAWN		FIRE PIT H-BURNER - 48" X 6"	
TOLERANCES:		CHECKED			
FRACTIONAL ± 1/8"		ENG APPR.			
ANGULAR: MACH ± BEND ±		MFG APPR.			
TWO PLACE DECIMAL ±		Q.A.		SIZE	DWG. NO.
THREE PLACE DECIMAL ±		STARFIRE DESIGNS		B	SD-FPH-48
INTERPRET GEOMETRIC TOLERANCING PER:		DO NOT SCALE DRAWING		SCALE: 1:5	WEIGHT:
MATERIAL					SHEET 1 OF 1
FINISH					
REV					A

PROPRIETARY AND CONFIDENTIAL
THE INFORMATION CONTAINED IN THIS DRAWING IS THE SOLE PROPERTY OF STARFIRE DIRECT. ANY REPRODUCTION IN PART OR AS A WHOLE WITHOUT THE WRITTEN PERMISSION OF STARFIRE DIRECT IS PROHIBITED.