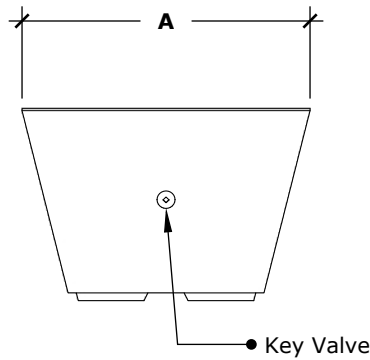


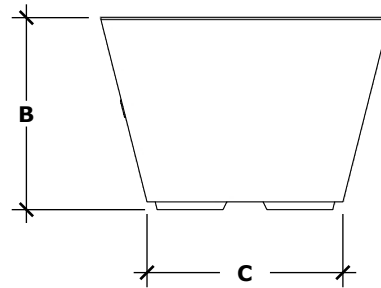
# REDAN FIRE PIT

## GFRC CONCRETE



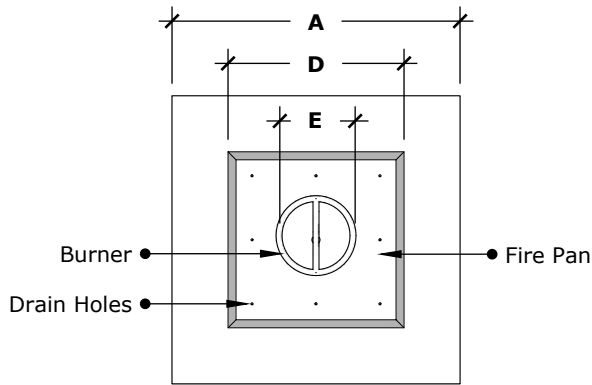
**FRONT VIEW**

scale: 1/2" = 1'-0" (1:24)



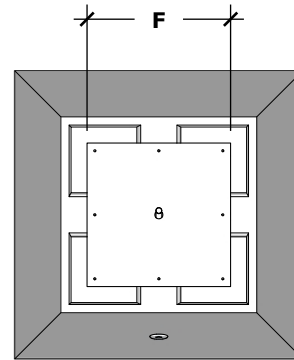
**RIGHT VIEW**

scale: 1/2" = 1'-0" (1:24)



**TOP VIEW**

scale: 1/2" = 1'-0" (1:24)



**UNDERSIDE VIEW**

scale: 1/2" = 1'-0" (1:24)

SKU	A	B	C	D	E	F	BTU
OPT-RDN36	36"	24"	24"	19.5"	8"	18"	45,000
OPT-RDN50	50"	24"	36"	29"	12"	30"	65,000

Fire Pit Material: GFRC Concrete  
 Pan Material: 304 Stainless Steel  
 Burner Material: 304 Stainless Steel

**Match Lit Unit Includes:** Pan, Burner, Gas Orifice, Gas Hoses, Key Valve, Key,

**110v Ignition Unit Includes:** Pan, Burner, Gas Orifice, Gas Hoses, Key Valve, Key, Plug & Play Electronic Valve, Pilot Igniter.



**110V ELECTRONIC IGNITION CERTIFICATION**  
 ANSI Z21.97-(2017) / CSA 2.41-(2017)