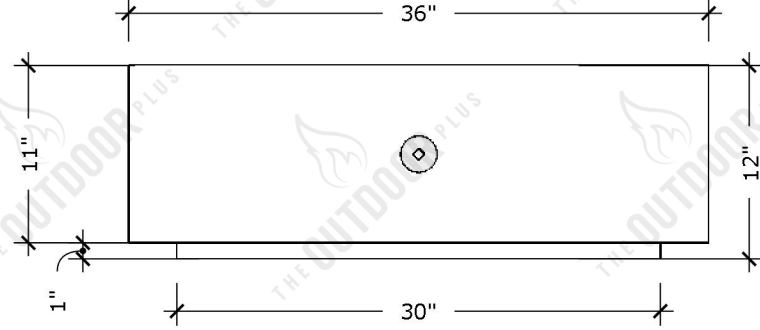
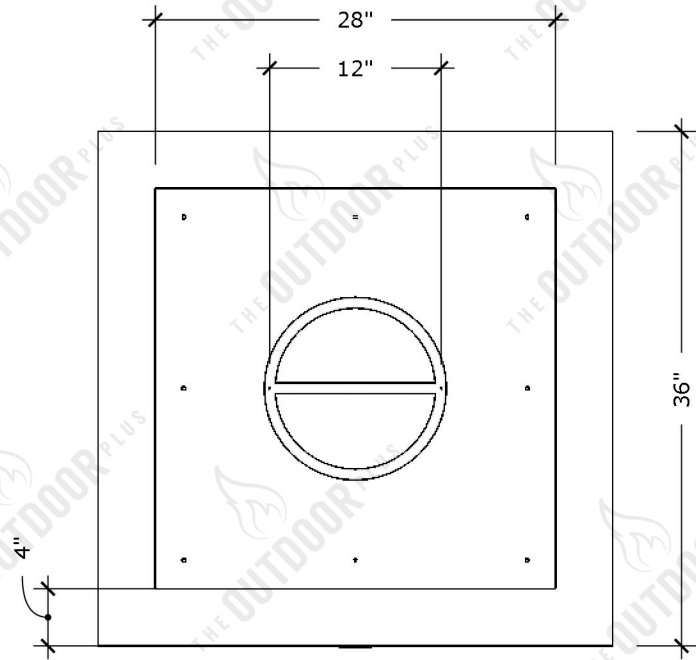


PERSPECTIVE



FRONT



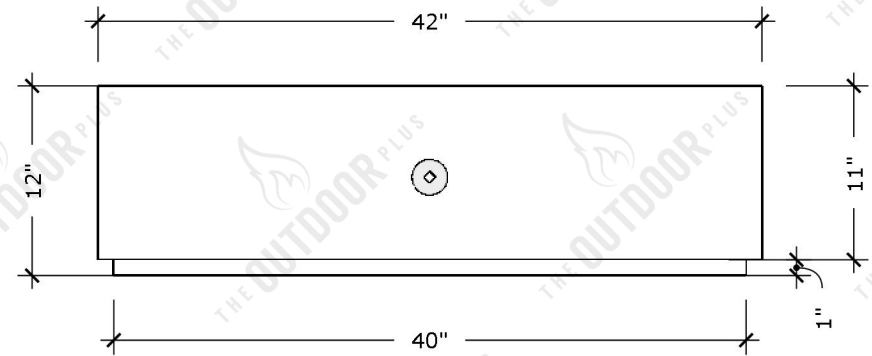
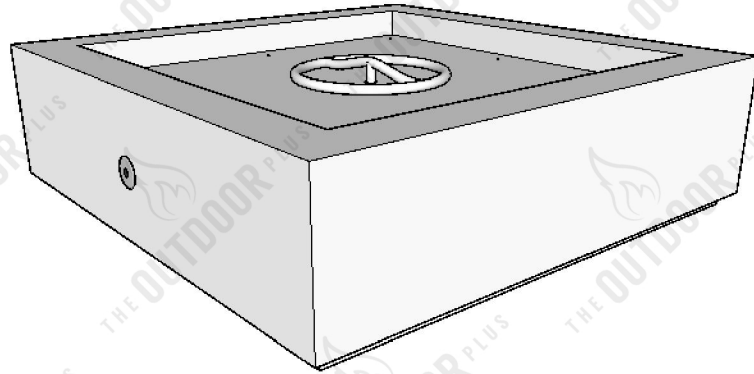
TOP

Quad 36" GFRC Fire Pit

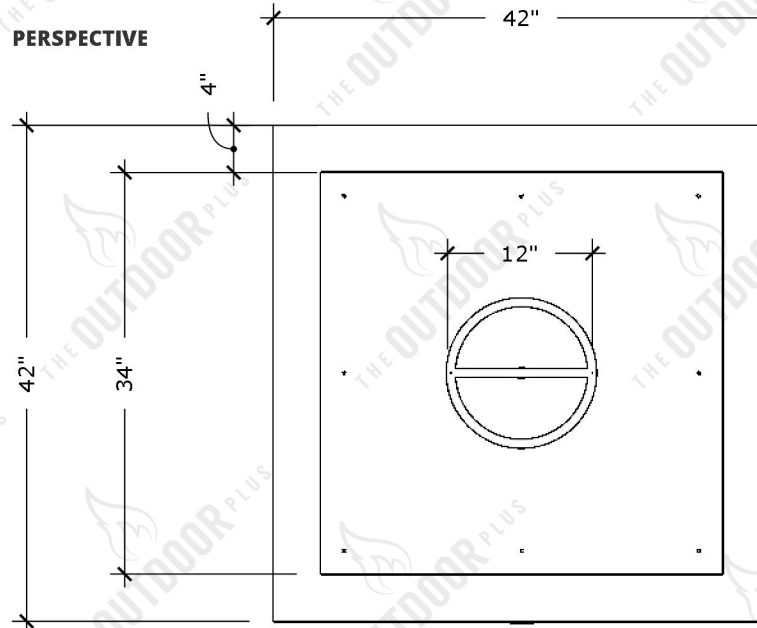
Part Number	OPT-QD36
Material	GFRC Concrete
Finishes	N/A
Gas Type	NG or LP
Weight	180 lbs
BTUs	65,000
Suggested Fire Glass	75 LBS
Access Door	N/A



235 East Main St
 Ontario CA 91761
 Office: (909) 460-5579



PERSPECTIVE



FRONT

TOP

Quad 42" GFRC Fire Pit

Part Number	OPT-QD42
Material	GFRC Concrete
Finishes	N/A
Gas Type	NG or LP
Weight	215 lbs
BTUs	65,000
Suggested Fire Glass	125 LBS
Access Door	N/A



235 East Main St
 Ontario CA 91761
 Office: (909) 460-5579