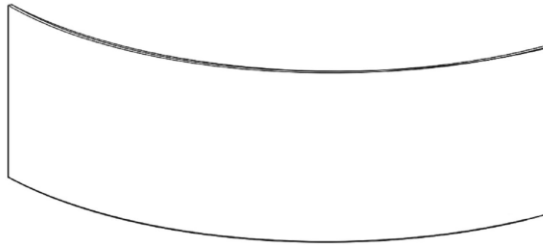


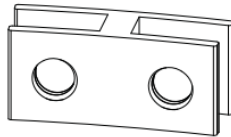
Round Glass Wind Guard Installation Instructions
SKUs: GWS-25R & GWS-30R

Package Contents - Parts List:

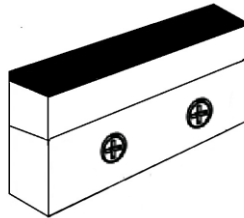
4x Glass Panels



4x Top Brackets



4x Bottom Brackets with Preinstalled Foot and Pad



16x Screws



16x Silicone Inserts pads



Round Glass Wind Guard Installation Instructions

SKUs: GWS-25R & GWS-30R

What is Required:

- Phillips Screwdriver (Hand tools ONLY, do NOT use power tools for assembly)
- Soft leather gloves for handling glass panels
- Soft non-abrasive, sturdy and flat surface for assembly to prevent damage
- 2 people are recommended for assembly and installation



Before You Begin:

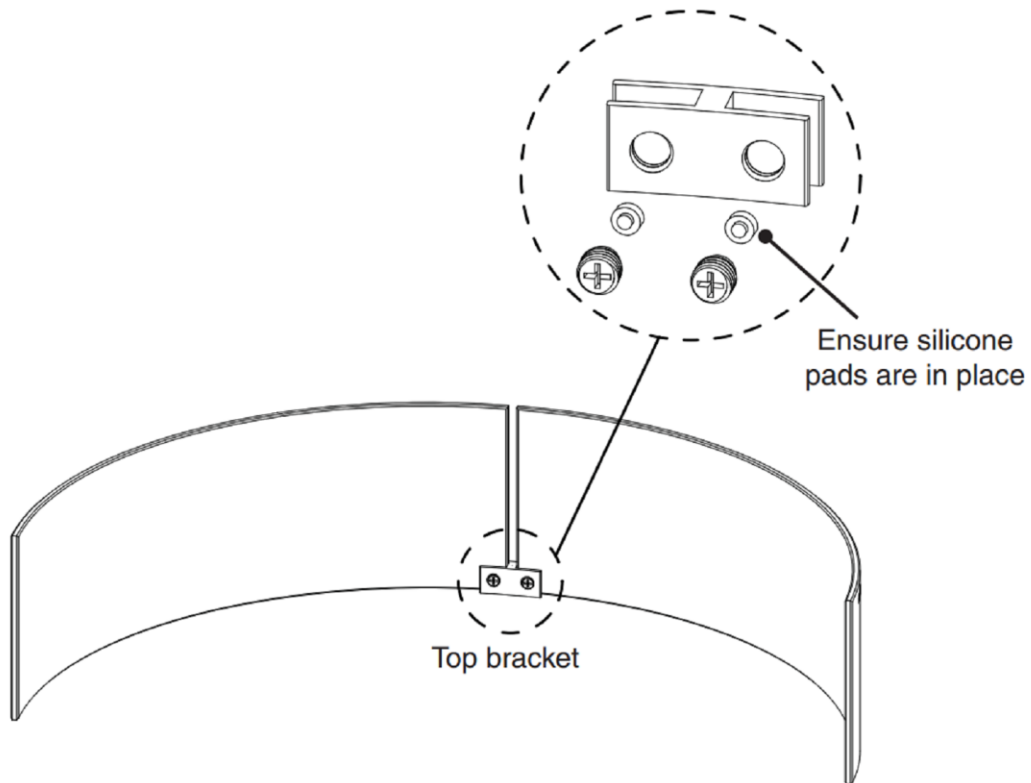
Before beginning assembly, make sure all parts are present. Carefully remove the wind guard from the packaging and inspect for any damage such as chips or cracks. Place glass panels on a flat surface, grouped together by type of part and compare parts received with the “Package Contents - Parts List.” If any part is missing or damaged, do NOT attempt to assemble the product. Please read and understand this entire installation instructions before attempting to assemble, operate or install this product. If you have any questions regarding the product, please contact Pyromania Inc. customer service.

Round Glass Wind Guard Installation Instructions

SKUs: GWS-25R & GWS-30R

Installation:

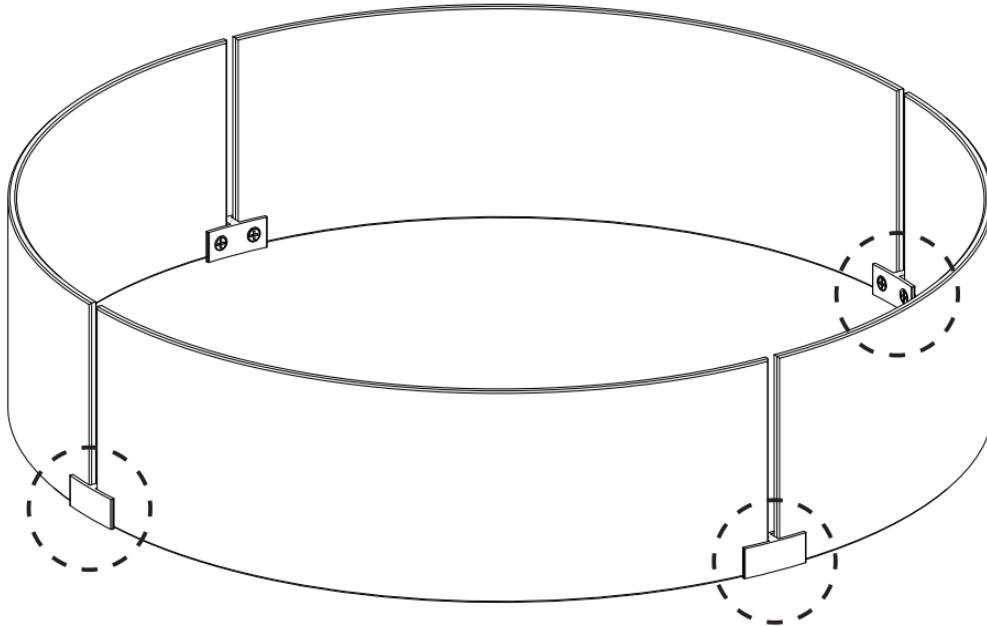
1. Ensure that each bracket has 2 set screws in them with the silicone insert pads attached to the back side. Then, assemble 2 panels with top bracket. Make sure that silicone pads backing remains in place on all screws to prevent cracking or shattering the glass. Work your way around the panels. Keep the screws loose to assure that the brackets are positioned correctly.



Round Glass Wind Guard Installation Instructions

SKUs: GWS-25R & GWS-30R

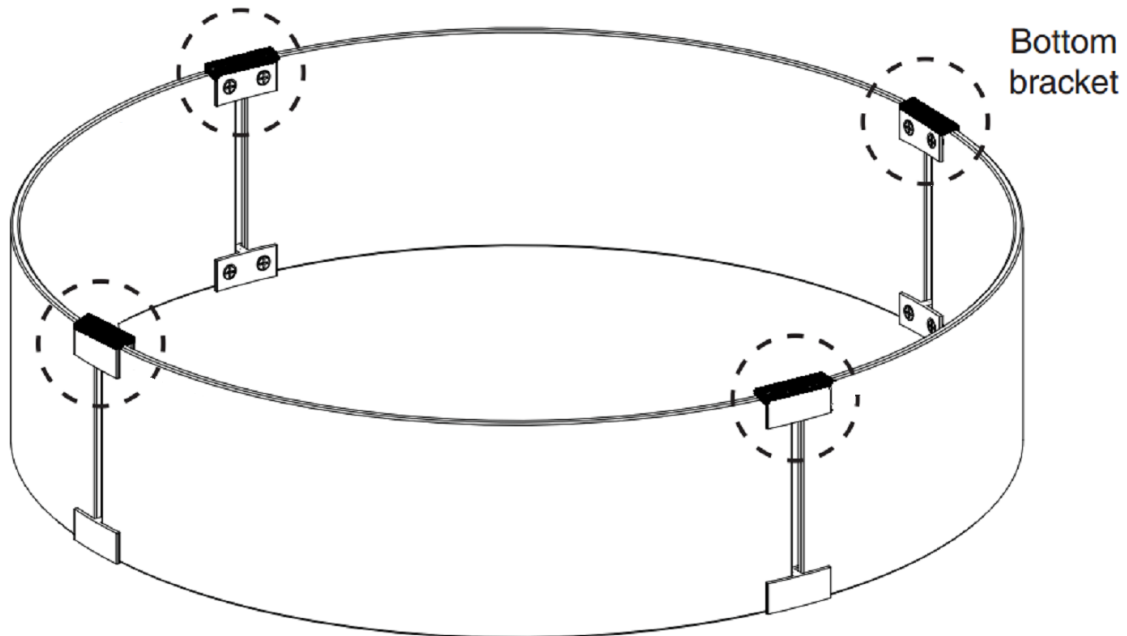
2. Assemble all panels with remaining top brackets , and tighten only once all of the brackets and glass panels are properly in place.



Round Glass Wind Guard Installation Instructions

SKUs: GWS-25R & GWS-30R

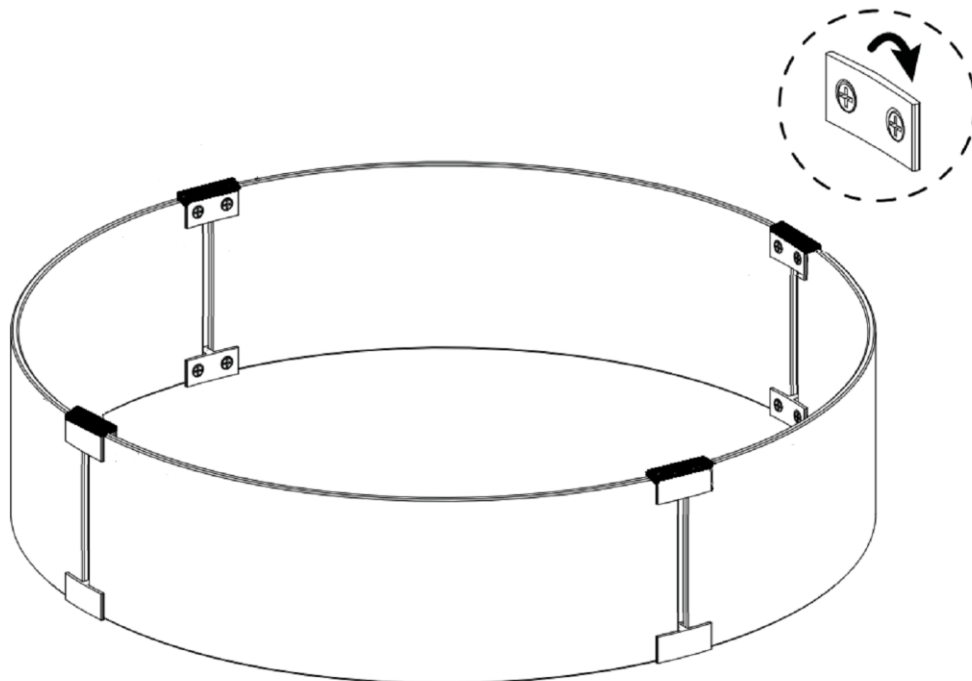
3. Install bottom brackets. Do not overtighten screws because glass can break.
Tighten until snug.



Round Glass Wind Guard Installation Instructions

SKUs: GWS-25R & GWS-30R

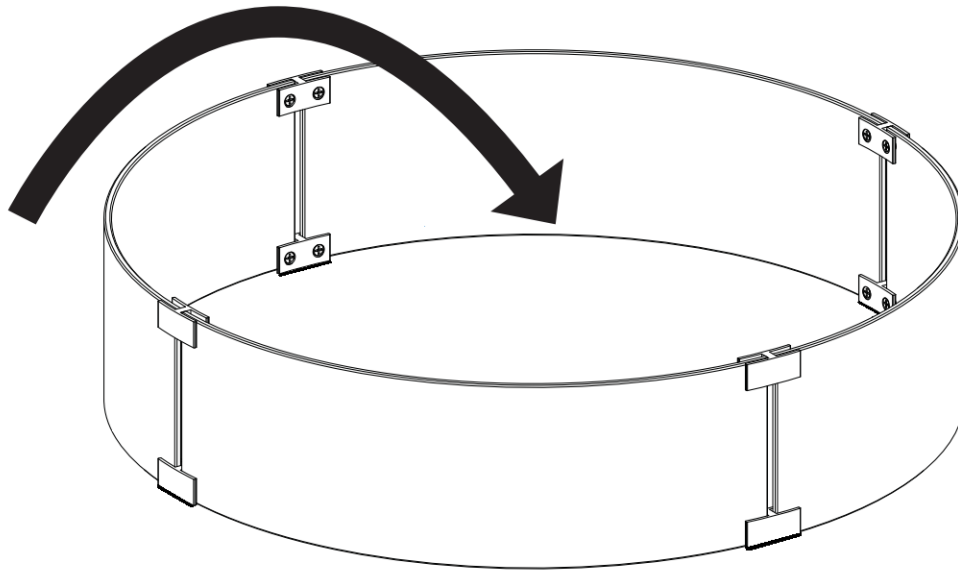
4. Finish securing all screws. Gently secure all screws (on all brackets) $\frac{1}{4}$ " to $\frac{1}{2}$ " turn until panels are secure. **DO NOT OVERTIGHTEN.**



Round Glass Wind Guard Installation Instructions

SKUs: GWS-25R & GWS-30R

5. Flip and Install wind guard on fire table.



Round Glass Wind Guard Installation Instructions
SKUs: GWS-25R & GWS-30R

Care and Cleaning



- Clean the glass periodically to remove any build-ups caused by the elements and combustion. It is recommended that the glass be cleaned 2-3 times during each heating season, depending on use and environmental conditions.
- Clean using a non-abrasive glass cleaner and a clean lint-free cloth.
- Never Attempt to clean the glass while hot.
- DO NOT touch the glass while in operation or within 10 minutes following use.