



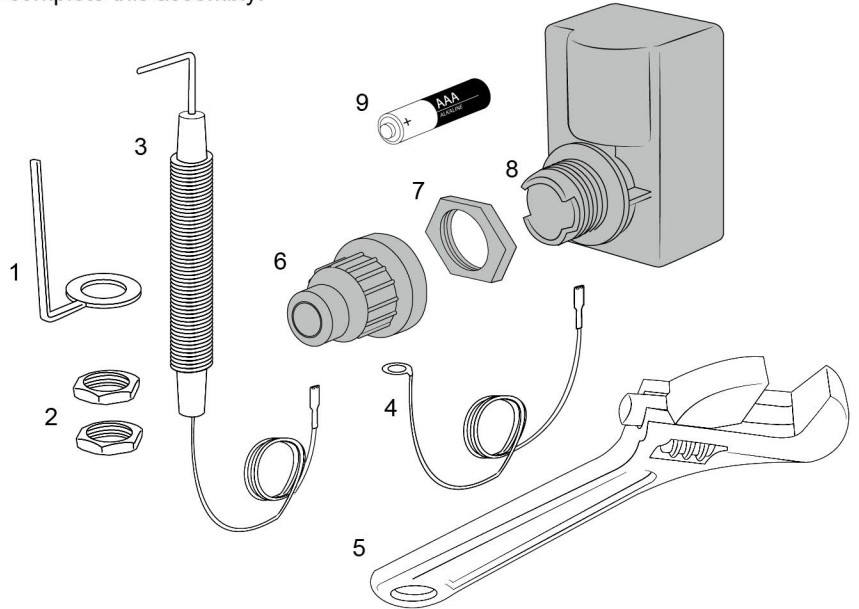
# Push Button Spark Ignition System

## Assembly Instructions

Thank You For your Purchase from Starfire Direct! Before you start assembly on your new product, please check to make sure you have all the components necessary to complete this assembly.

### Parts List

- |   |  |
|---|--|
| 1. Grounding Rod                            | 6. Push Button                           |
| 2. Ignitor Hex Nuts                         | 7. Module Nut                            |
| 3. Spark Ignitor                            | 8. Spark Module                          |
| 4. Ground Wire ( 36" long )                 | 9. AAA Alkaline Battery ( Not Included ) |
| 5. ( 2 ) Adjustable Wrench ( Not Included ) |  |



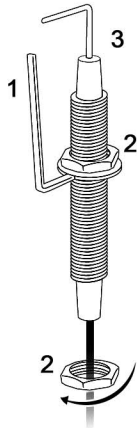
This kit contains items that have been tested & certified.



### STEP 1.

- Unscrew and remove the bottom ignitor hex nut (2).

**Note:** Adjust the top hex nut (2) and grounding rod (1) so they rest in the middle of the spark ignitor (3).



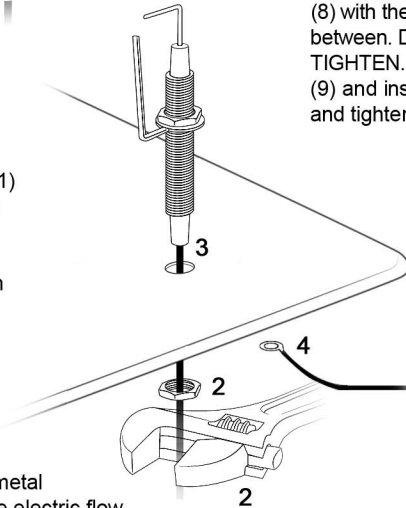
### STEP 2.

- Feed wire (3) through the designated hole in the fire pit pan. **You may need to drill through your fire pit pan.**

- Adjust position so grounding rod (1) and spark ignitor (3) tips are 1/4 inch apart.

- Slide spark ignitor wire (3) through bottom ignitor hex nut (2). Using a wrench (5), hold the top ignitor hex nut (2) in place while using a second wrench to tighten the bottom ignitor hex nut (2).

- Secure grounding wire (4) to any metal part of the burner pan to complete the electric flow.

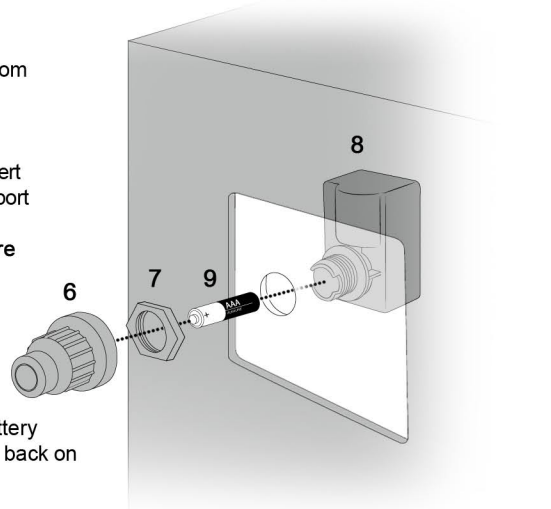


### STEP 3.

- Unscrew push button (6) from the spark module (8)

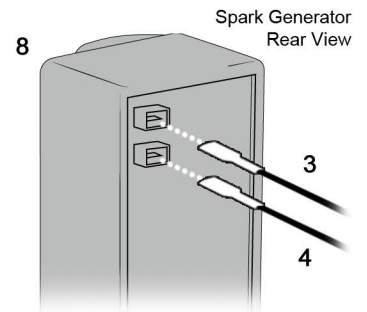
- Unscrew the module nut (7) from the spark module (8). Insert threaded end of spark module port through fire pit hole. **You may need to drill through your fire pit wall or a ignition plate.**

- Thread the module nut (7) back onto the spark module (8) with the fire pit in between. **DO NOT OVER TIGHTEN.** Insert the AAA battery (9) and install push button (6) back on and tighten firmly together.



### STEP 4.

- From inside the fire pit, connect the spark ignitor wire (3) and the ground wire (4) to the back of the spark module (8). Both ports will receive either wire.



## ⚠ WARNING

• Improper installation or alterations not specified in these instructions can cause injury or property damage. Read instructions CAREFULLY before installing or servicing this equipment.

• Do not cover spark ignitor with fire media such as fire glass or logs. This may interfere with the spark ignitor's performance.

• If burner fails to ignite, turn off and wait until gas has dissipated completely before trying again.

• To avoid serious injury, gas sources must be shut off prior to installation.

• For outdoor use only