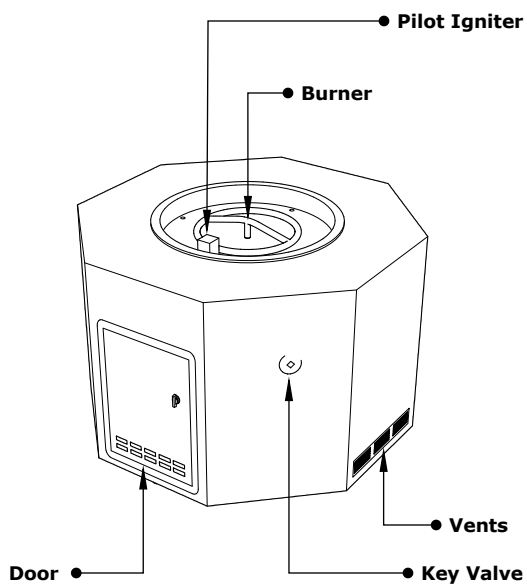
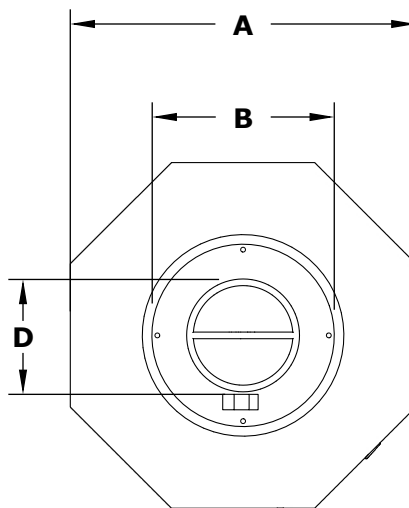


# OCTAGON PIT FORM - 24" TALL

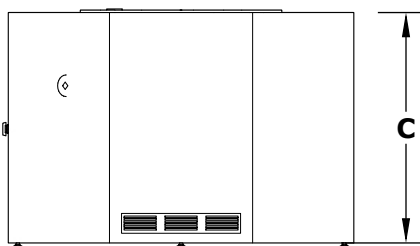
GFRC CONCRETE



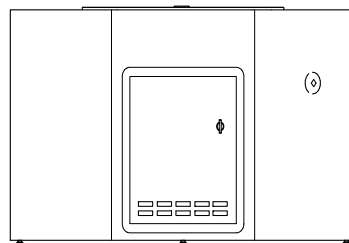
**ISOMETRIC VIEW**



**TOP VIEW**



**RIGHT SIDE VIEW**



**FRONT SIDE VIEW**

PART NUMBER	A	B	C	D	BTU
OPT-OCTG36DRPB	36"	19"	24"	12"	65,000
OPT-OCTG48DRPB	48"	19"	24"	12"	65,000
OPT-OCTG60DRPB	60"	25"	24"	12"	65,000
OPT-OCTG72DRPB	72"	31"	24"	18"	65,000
OPT-OCTG84DRPB	84"	37"	24"	18"	65,000

Fire Pit Material: GFRC Concrete  
 Pan Material: 304 Stainless Steel  
 Burner Material: 304 Stainless Steel

Standard 1" Flange on all pans  
 Standard 2" Depth on all pans

**110V ELECTRONIC IGNITION**  
 ANSI Z21.97-(2017) / CSA 2.41-(2017)



Match Lit Unit Includes: Pan, Burner, Gas Orifice, Gas Hoses, Key Valve, Key,  
 110v Ignition Unit Includes: Pan, Burner, Gas Orifice, Gas Hoses, Key Valve, Key, Plug & Play Electronic Valve, Pilot Igniter.