

Natural Gas Conversion

⚠ WARNING

1. CONVERSIONS ONLY TO BE DONE BY AN AUTHORIZED PERSON
2. A straining tether is required to be fixed to the appliance and to be fixed to the wall within 50mm of each connection point. The length of the tether shall not exceed 80% of the length of the natural gas hose assembly.

Tools required

1. Socket head screw driver (Included with the product)
2. Wrench



Gas Piping

1. A minimum pipe with diameter 15mm is required for inlet piping. A lever operated shut-off valve should be installed within 1 meter of the appliance for serving the appliance.
2. Where it is not practical to install solid tube AGA certified to AS/NZS 1869 class A, stainless steel braided hose could be installed. This hose assembly must comply with AS5601 Gas installations, pipe sizing tables and shall not exceed 3 meters in length. The internal diameter of the hose must not be less than 10mm.
3. All gas pipe connections must be sealed with a gas pipe compound resistant to natural gas.

NOTE TO INSTALLERS

The U-LPG jet is 0.98mm, the NG jet is 1.50mm.

Both U-LPG injector and NG injector are installed together like right Photo shows. The BBQ is set for U-LPG by manufacturer.



* Instructions for converting the main burners

1. Unscrew and remove the rear panel pictured.



2. Unscrew the main burner securing screws and remove the burner, sitting it alongside.



(1)



(2)



(3)



(4)

3. With the burner removed, you will see the brass gas jet which is screwed into the end of the valve. Using the socket driver supplied, unscrew the end LPG jet while retaining the inner (NG) jet.



- 4 . Reassemble the burner.



Note: Please make sure the gas valve is located well inside the main burner tube when re-installing the burners.

5. Repeat the above steps for the other main burners

* Instructions for converting the side burner

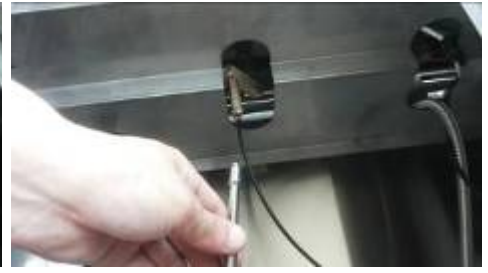
1. Take away the grease tray. Remove the side burner ignition wire from the terminal.



2. Unscrew and take away the side burner



3. Using the supplied socket screwdriver, unscrew and remove the LPG gas jet, leaving the NG jet in place.



4. Reassemble the side burner.



Note: Please make sure the gas valve is positioned well inside the main burner tube.

* Instructions for converting the back burner

1. Remove the back burner cover



2. Remove the LPG jet from the elbow shaped brass injector assembly.



(1)



(2)



(3)



(4)



(5)

3. Reassemble the plates as removed.



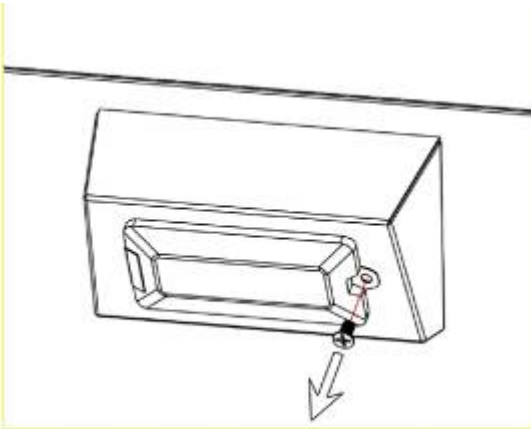
BARBECUE LIGHT

⚠ WARNING

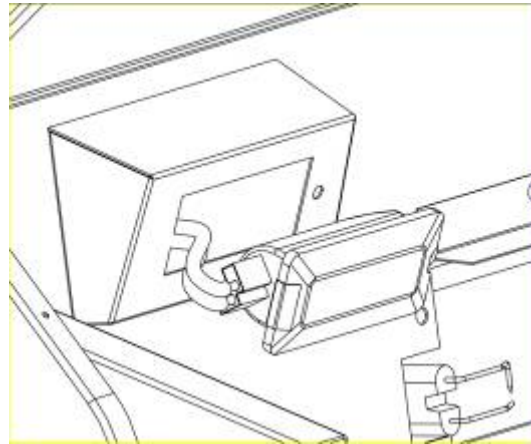
Always keep the plug in dry condition.

How to replace the barbecue **lights** (if necessary)

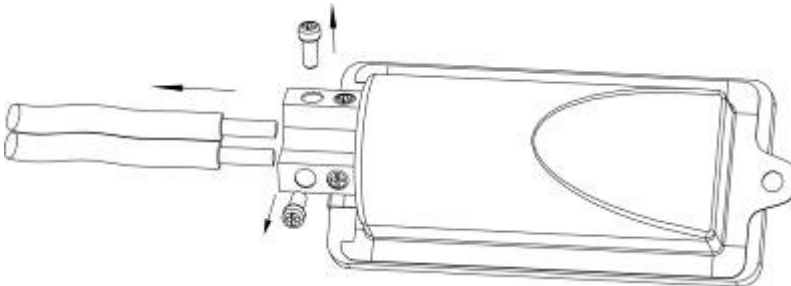
1. **Unscrew the light fitting**



2. **Remove the fitting**



3. **Unscrew the cable**

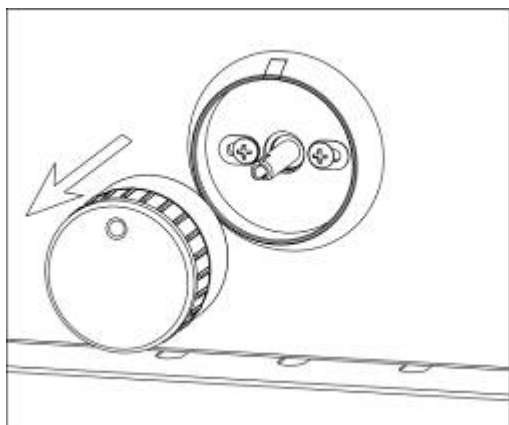


4. **Replace the light with a new one and re-assemble.**

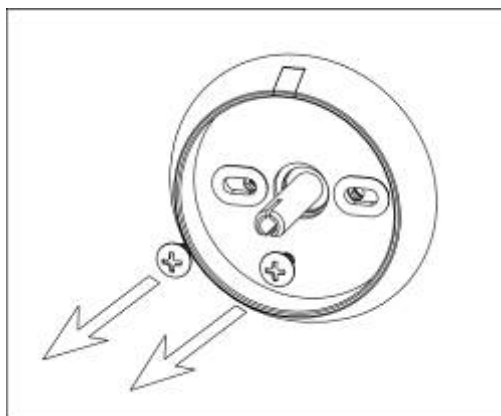
How to **replace** LED lights (if necessary)

Note: The LED light is **incorporated** into the control bezel as a whole unit,
If it needs to be replaced, the whole unit needs to be replaced.

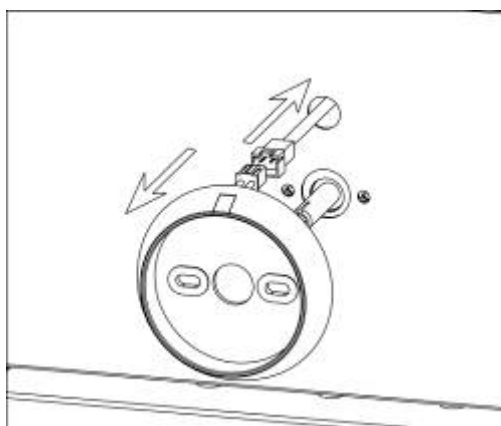
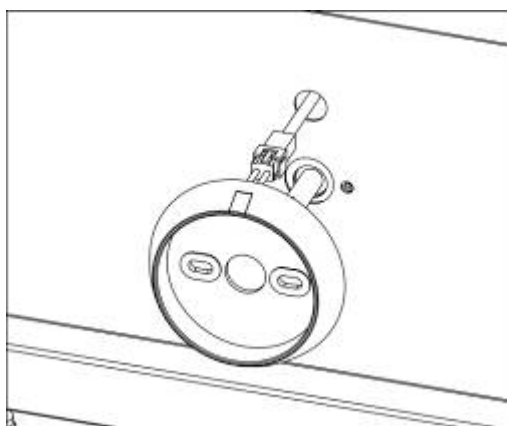
1. Take off the control knob



2. **Unscrew** the knob bezel



2. Take off the unit and loosen the LED cable connections carefully.



3. Install the new unit and re-assemble .