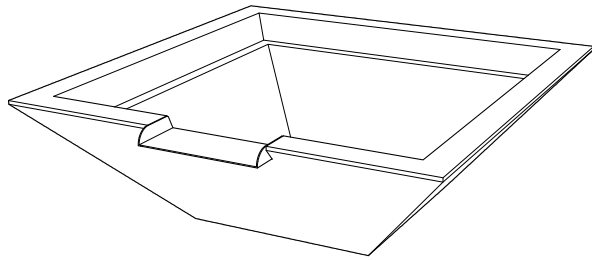
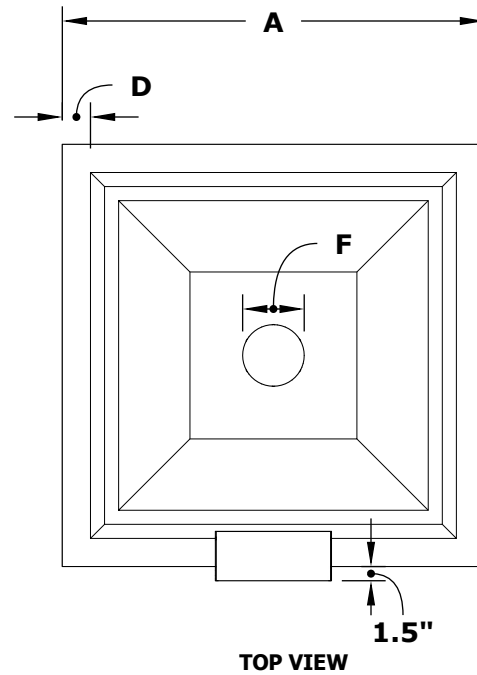


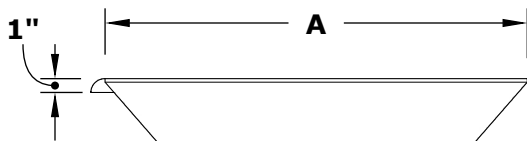
# MAYA WATER BOWL- GFRC CONCRETE



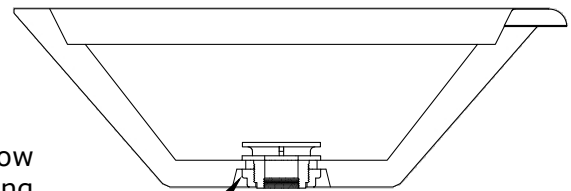
ISOMETRIC VIEW



TOP VIEW

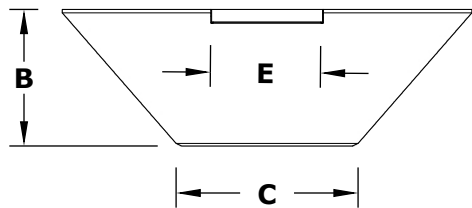


RIGHT SIDE VIEW

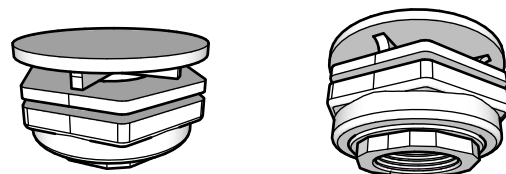


SECTION CUT

Smooth Flow Water Fitting (1 1/2" Connection)



FRONT SIDE VIEW



1 1/2" Inlet

| SKU       | A   | B     | C   | D    | E   | F    | GPM  |
|-----------|-----|-------|-----|------|-----|------|------|
| OPT-24SWO | 24" | 10.5" | 13" | 2"   | 8"  | 3.5" | 7-10 |
| OPT-30SWO | 30" | 9"    | 13" | 2.5" | 8"  | 3.5" | 7-10 |
| OPT-36SWO | 36" | 12"   | 20" | 3"   | 10" | 3.5" | 7-10 |

Fire Bowl Material: GFRC Concrete  
 Finish: Smooth Finish  
 Includes: Bowl, Copper Scupper,  
 Water Fitting