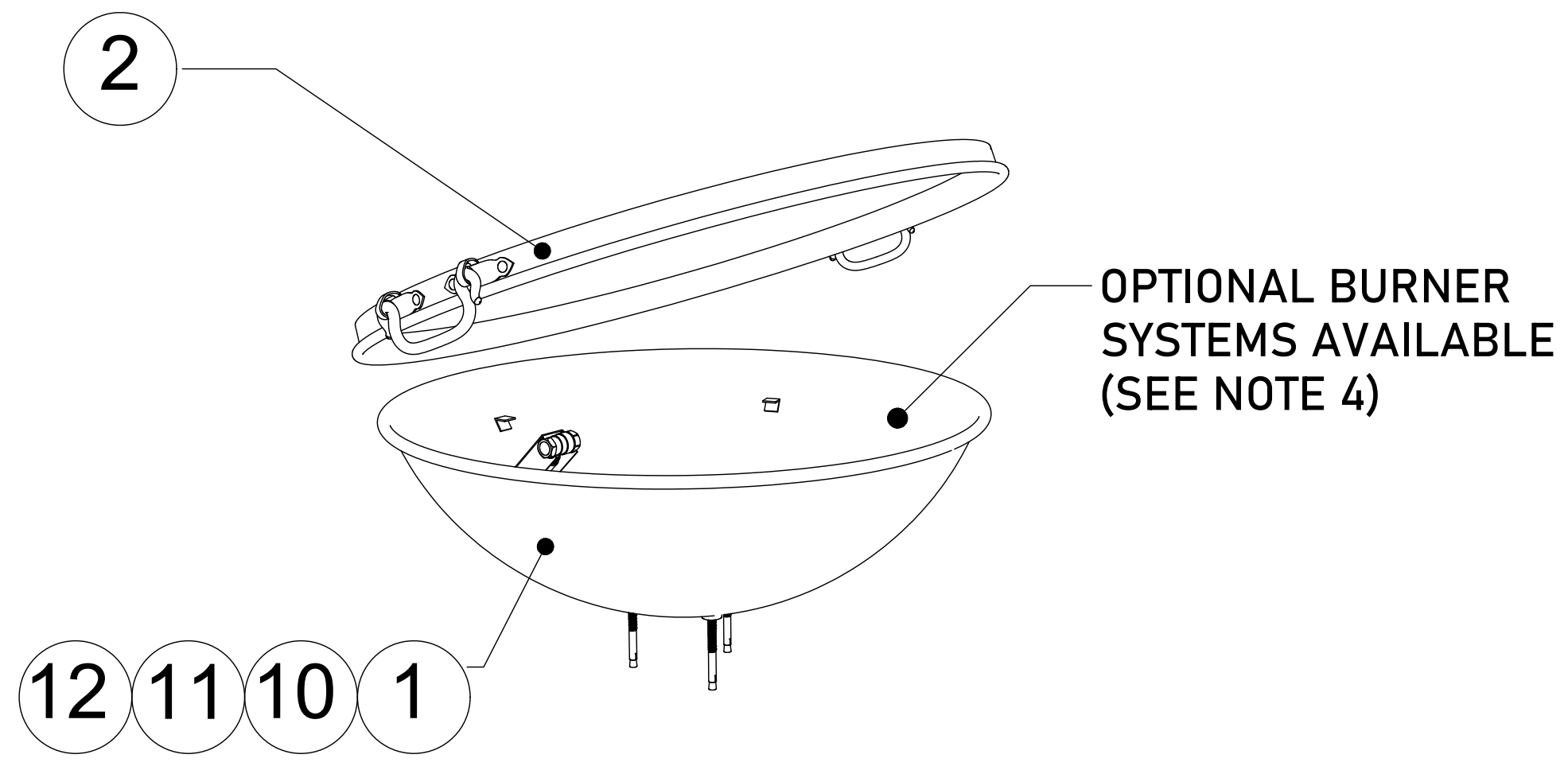


4

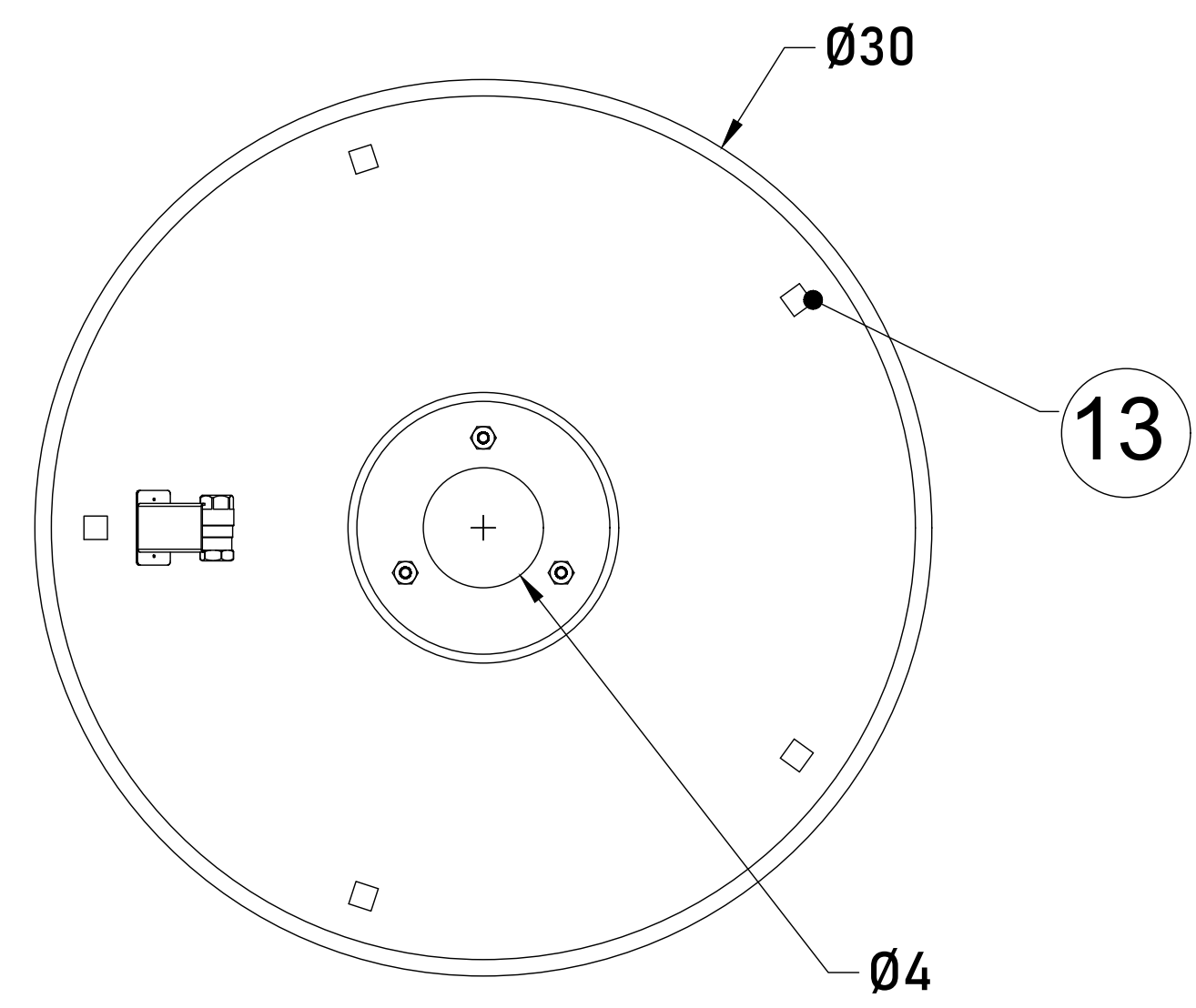
3

2

1



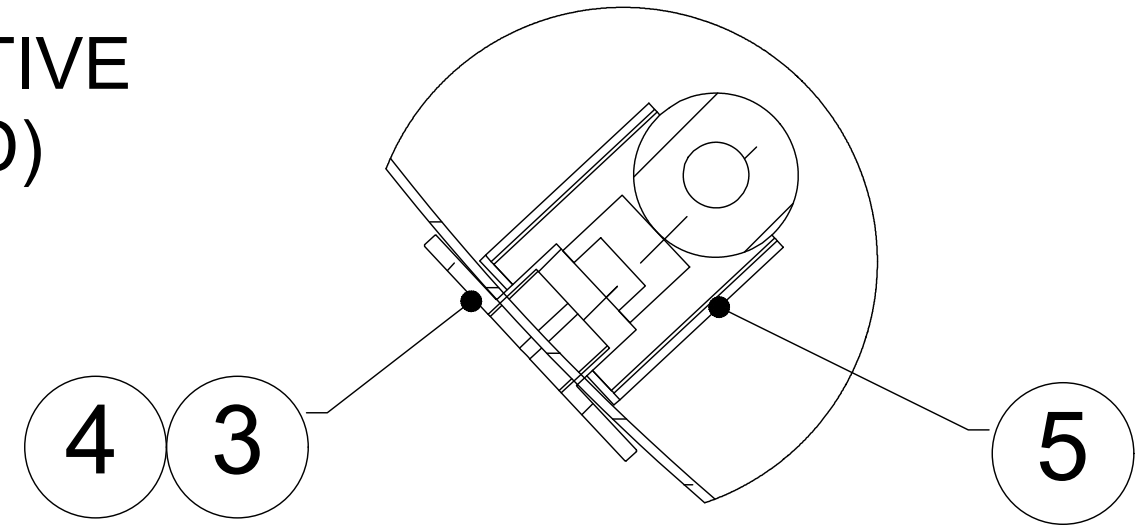
REVERSE PERSPECTIVE VIEW (LID OPENED)



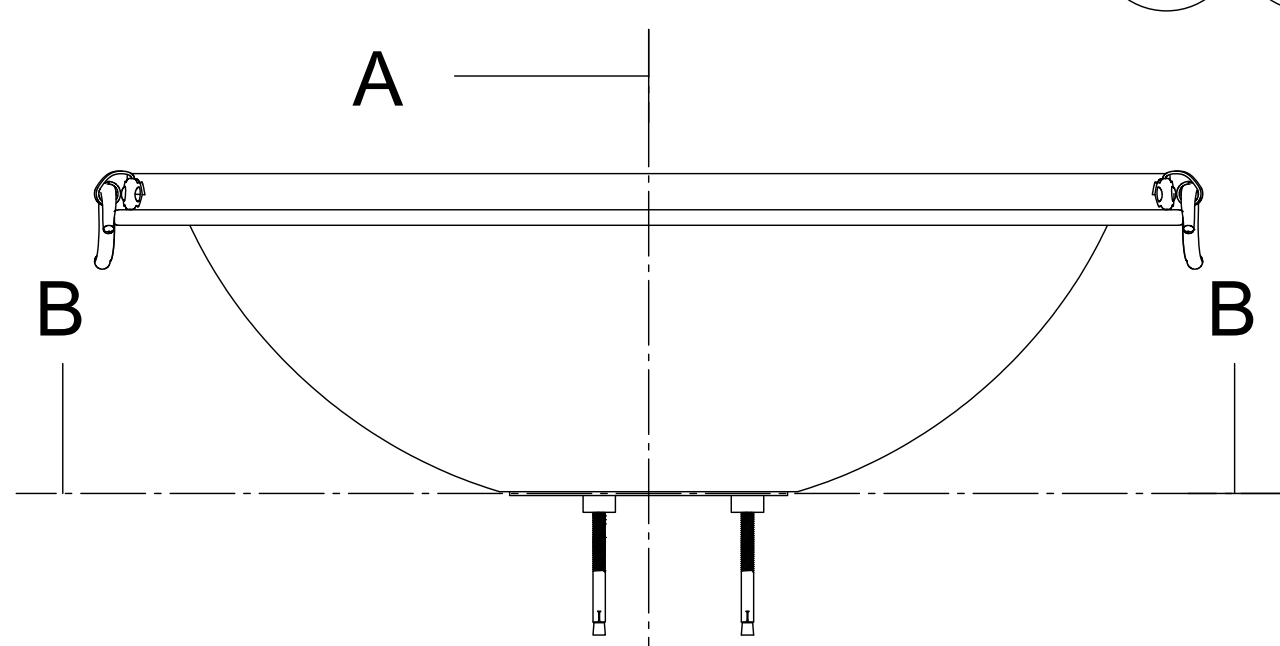
TOP VIEW



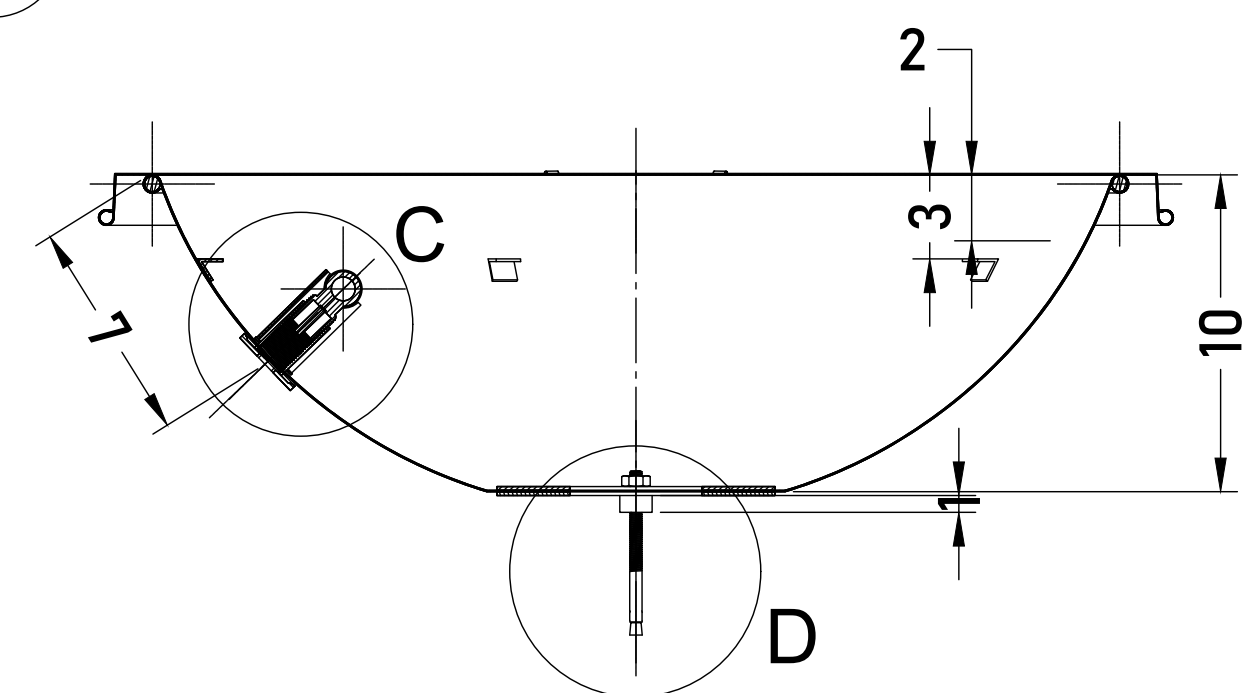
PERSPECTIVE VIEW



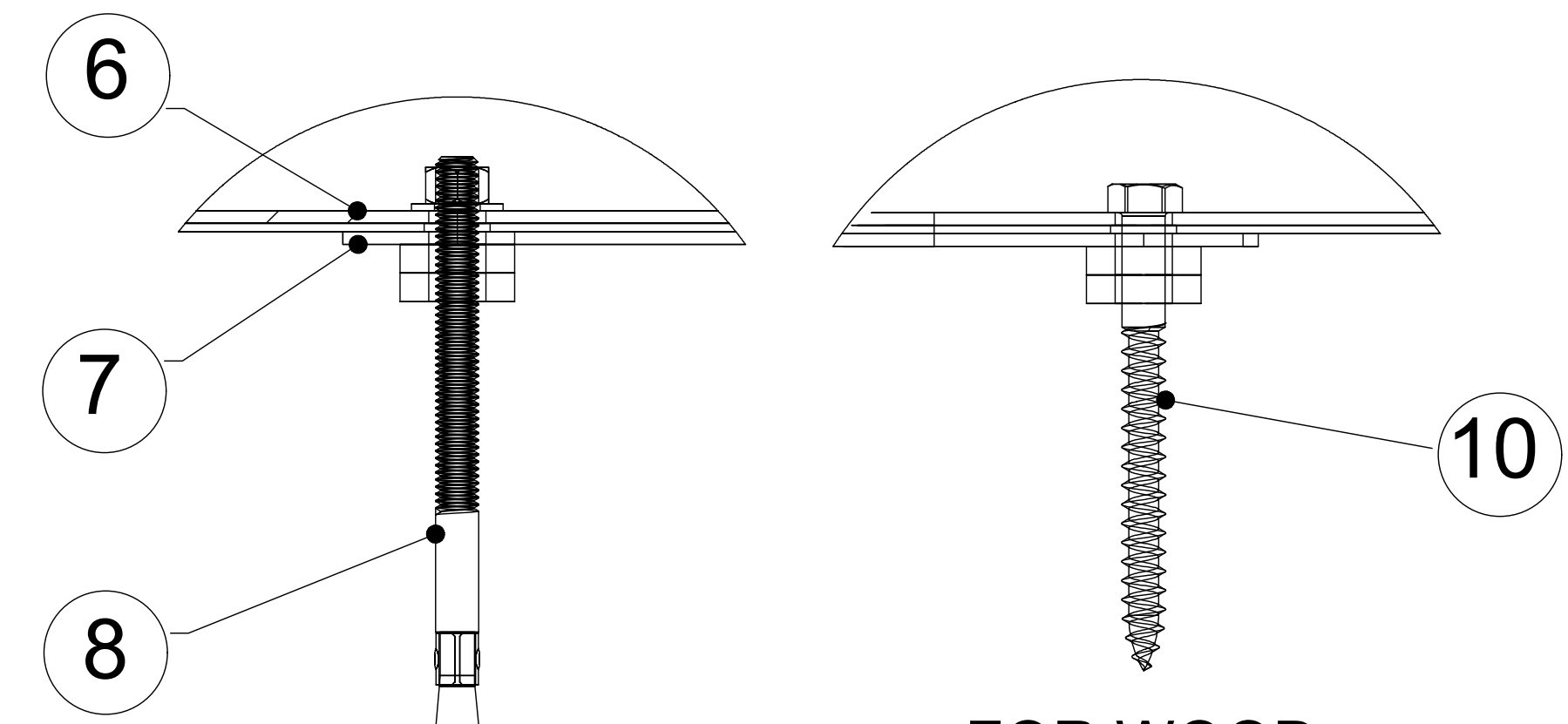
DETAIL C SCALE 1:4



FRONT VIEW



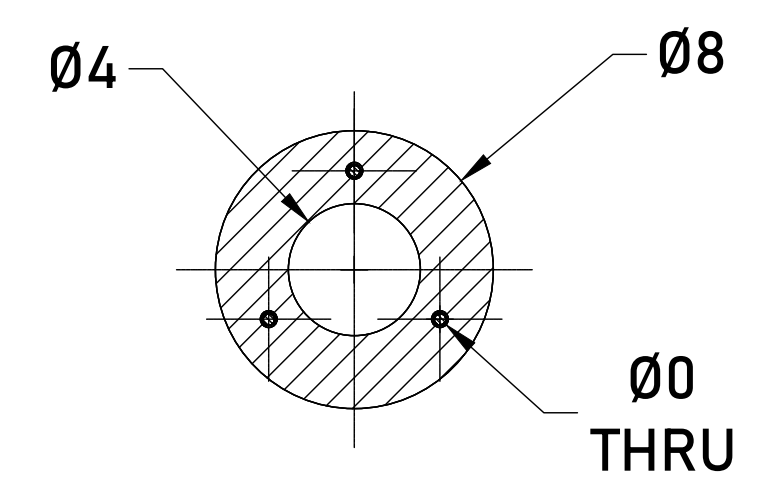
SECTION A-A



FOR CONCRETE DECKS

FOR WOOD DECKS

DETAIL D SCALE 1:4



FRONT PRINT SECTION B-B

NOTES:

1. ALL DIMENSIONS ARE IN INCHES UNLESS OTHERWISE SPECIFIED.
2. MATERIAL: 20 OUNCE COPPER FINISHED WITH MACHINED HAMMER TEXTURE
3. UNIT WEIGHT: _____ LBS
4. IGNITION: ELECTRONIC IGNITION, MANUAL SPARK IGNITION, MATCH LIT IGNITION
5. SOME ITEMS ARE NOT SHOWN IN DRAWING VIEWS. SEE BILL OF MATERIALS FOR FULL PARTS LIST.

ITEM NO.	QTY.	PART NUMBER	DESCRIPTION
13	4	-	PAN HOLDER FEET
12	2	-	END COMPRESSION FITTING ADAPTER, 1/2" FIP X 5/8" FLARE
11	2	-	END COMPRESSION FITTING ADAPTER, 1/2" MIP X 5/8" FLARE
10	2	-	TRANQUILINE WHISTLE FREE FLEX LINE - 5/8" OD (1/2" ID)
9	3	-	WOOD ANCHOR (LAG SCREW), 3/8" X 4" LONG
8	3	-	CONCRETE ANCHOR, 3/8" X 5" LONG
7	1	-	STARFIRE DESIGNS, MOUNTING BRACKET
6	1	-	TRANQUILINE WHISTLE FREE FLEX LINE - 5/8" OD (1/2" ID)
5	1	-	KEY VALVE BRACKET
4	1	-	STARFIRE DESIGNS 3" UNIVERSAL KEY & VALVE FLANGE COMBO, FINISH: ANTIQUE COPPER
3	1	-	STARFIRE DESIGNS 1/2" MANUAL STRAIGHT QUARTER TURN GAS KEY VALVE
2	1	MORENO-COVER-ROUND	OPTIONAL COVER, TABLE TOP
1	1	MORENO-TAZA-309	FIRE PIT ENCLOSURE, TAZA MORENO

B

B

A

A

PROPRIETARY AND CONFIDENTIAL

THE INFORMATION CONTAINED IN THIS DRAWING IS THE SOLE PROPERTY OF STARFIRE DIRECT. ANY REPRODUCTION IN PART OR AS A WHOLE WITHOUT THE WRITTEN PERMISSION OF STARFIRE DIRECT IS PROHIBITED.

UNLESS OTHERWISE SPECIFIED:		NAME	DATE
DIMENSIONS ARE IN INCHES		DRAWN	
TOLERANCES:		CHECKED	
FRACTIONAL: ±1/8"		ENG APPR.	
ANGULAR: MACH ± BEND ±		MFG APPR.	
TWO PLACE DECIMAL ±		Q.A.	
THREE PLACE DECIMAL ±			
INTERPRET GEOMETRIC TOLERANCING PER:			
MATERIAL		STARFIRE DESIGNS	
FINISH			
NEXT ASSY	USED ON	SIZE	DWG. NO.
APPLICATION		SCALE: 1/12	WEIGHT:
DO NOT SCALE DRAWING		REV	

TAZA MORENO FIRE PIT
30" X 9"

SIZE **B** DWG. NO. MORENO-TAZA-309 REV **A**

SCALE: 1/12 SHEET 1 OF 1