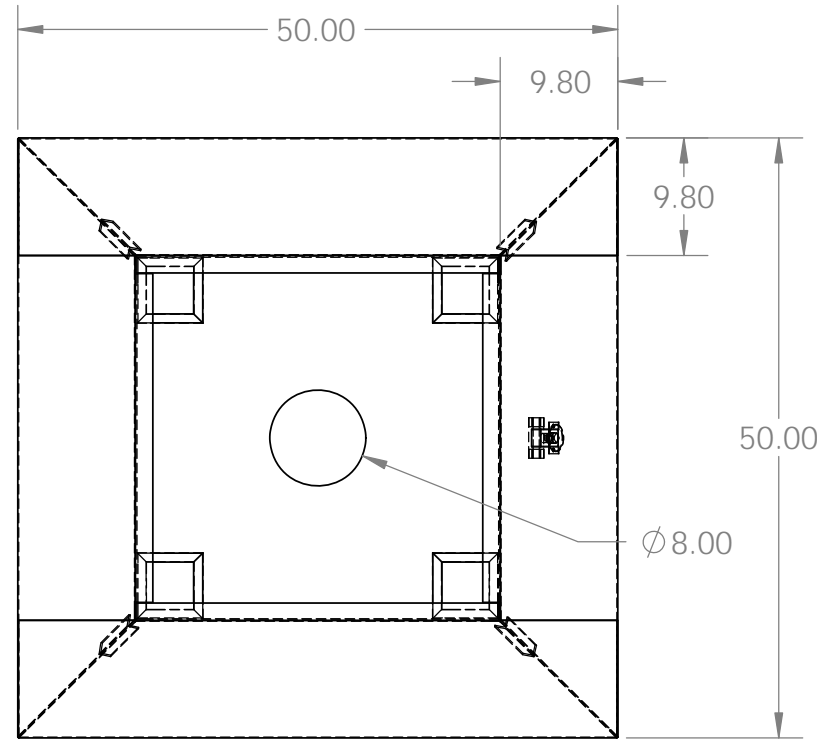


REVERSE PERSPECTIVE VIEW (LID OPENED)

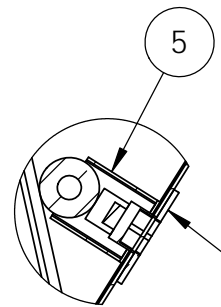


TOP VIEW



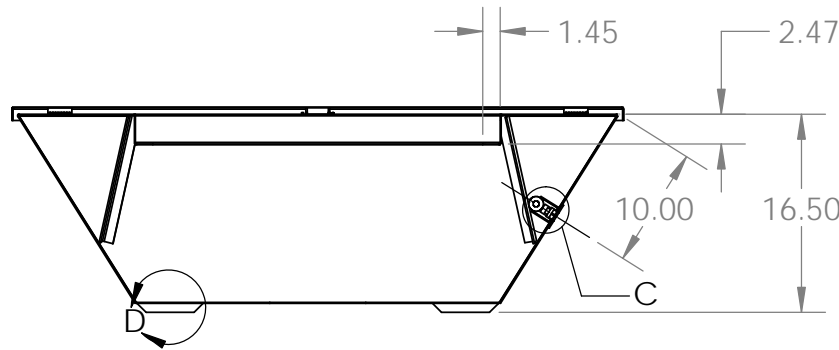
PERSPECTIVE VIEW

8 7 6 1

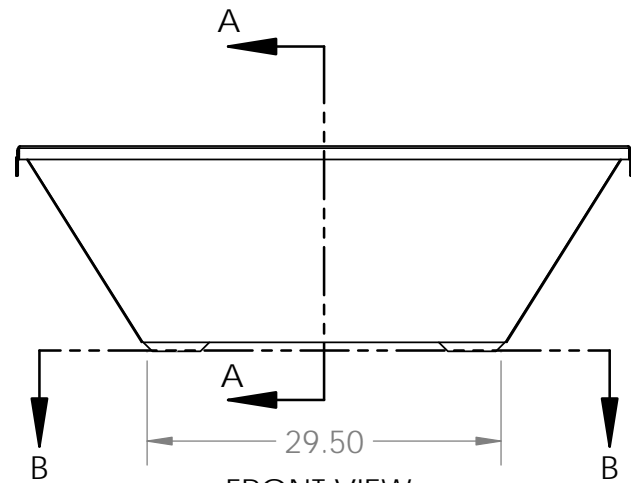


DETAIL C SCALE 1 : 4

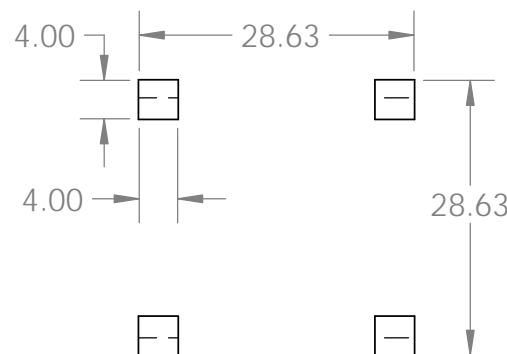
3 4



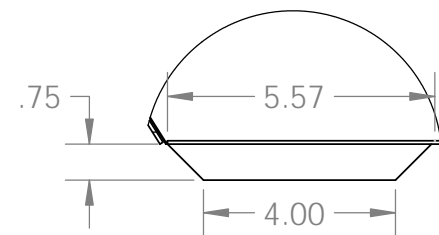
SECTION A-A



FRONT VIEW



FOOTPRINT SECTION B-B SCALE 1 : 20



DETAIL D SCALE 1 : 4

NOTES:

1. ALL DIMENSIONS ARE IN INCHES UNLESS OTHERWISE SPECIFIED.
2. MATERIAL: 20 OUNCE COPPER FINISHED WITH MACHINED HAMMER TEXTURE
3. UNIT WEIGHT: ____ LBS
4. IGNITION: ELECTRONIC IGNITION, MANUAL SPARK IGNITION, MATCH LIT IGNITION
5. SOME ITEMS ARE NOT SHOWN IN DRAWING VIEWS. SEE BILL OF MATERIALS FOR FULL PARTS LIST.

ITEM NO.	QTY.	PART NUMBER	DESCRIPTION
8	2	-	END COMPRESSION FITTING ADAPTER, 1/2" FIP X 5/8" FLARE
7	2	-	END COMPRESSION FITTING ADAPTER, 1/2" MIP X 5/8" FLARE
6	2	-	22" TRANQUILINE WHISTLE FREE FLEX LINE - 5/8" OD (1/2" ID)
5	1	-	KEY VALVE BRACKET
4	1	-	STARFIRE DESIGNS 3" UNIVERSAL KEY & VALVE FLANGE COMBO, FINISH: ANTIQUE COPPER
3	1	-	STARFIRE DESIGNS 1/2" MANUAL STRAIGHT QUARTER TURN GAS KEY VALVE
2	1	MORENO-COVER-RECT	OPTIONAL COVER, TABLE TOP
1	2	MORENO-PLZ-505017	FIRE PIT ENCLOSURE, PLAZA MORENO

PROPRIETARY AND CONFIDENTIAL
 THE INFORMATION CONTAINED IN THIS DRAWING IS THE SOLE PROPERTY OF STARFIRE DIRECT. ANY REPRODUCTION IN PART OR AS A WHOLE WITHOUT THE WRITTEN PERMISSION OF STARFIRE DIRECT IS PROHIBITED.

UNLESS OTHERWISE SPECIFIED:		NAME	DATE	TITLE:
DIMENSIONS ARE IN INCHES		DRAWN		PLAZA MORENO FIRE PIT 50" X 50" X 17"
TOLERANCES:		CHECKED		
FRACTIONAL ± 1/8"		ENG APPR.		
ANGULAR: MACH ± BEND ±		MFG APPR.		
TWO PLACE DECIMAL ±		Q.A.		SIZE DWG. NO.
THREE PLACE DECIMAL ±				B MORENO-PLZ-505017
INTERPRET GEOMETRIC TOLERANCING PER:		MATERIAL		REV A
MATERIAL		FINISH		SCALE: 1:16 WEIGHT:
NEXT ASSY	USED ON	APPLICATION		SHEET 1 OF 1
		DO NOT SCALE DRAWING		

