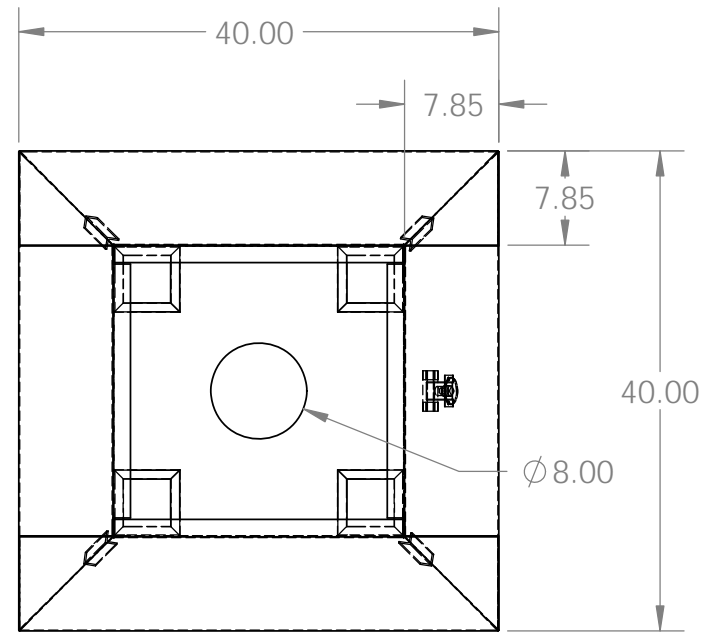
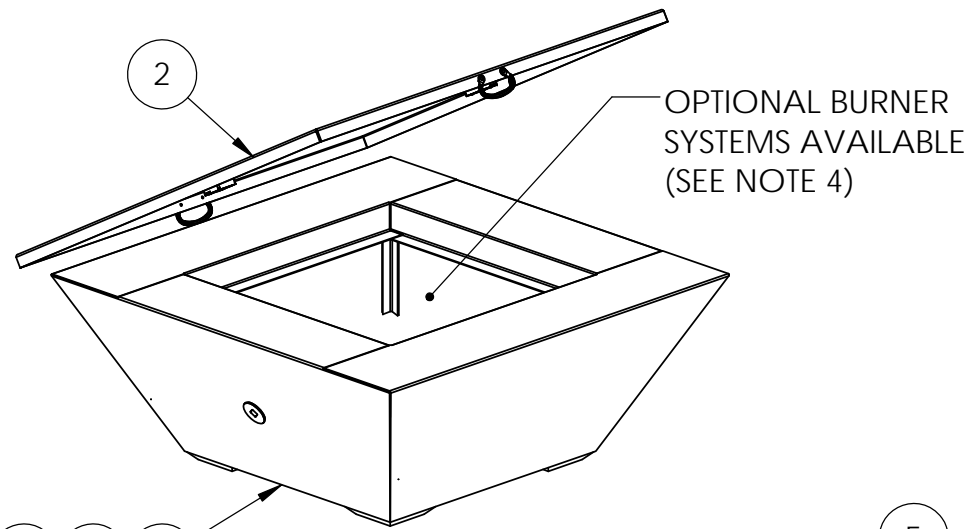


4

3

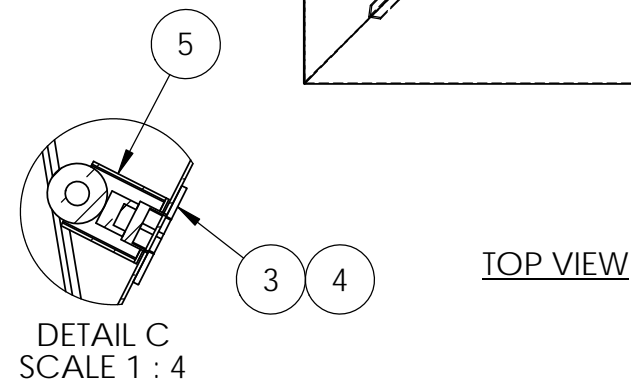
2

1



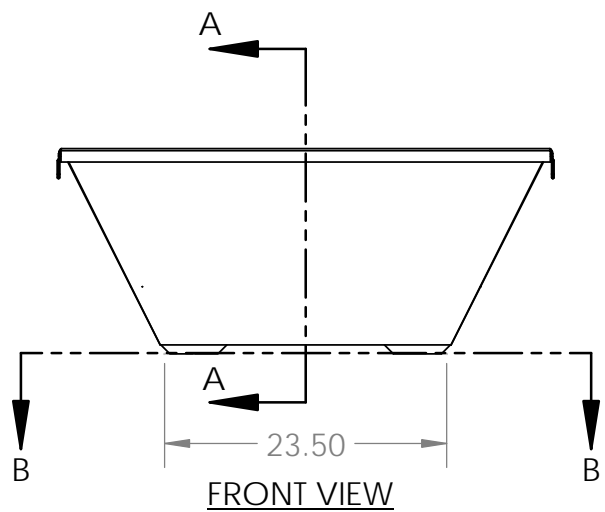
PERSPECTIVE VIEW

REVERSE PERSPECTIVE VIEW (LID OPENED)

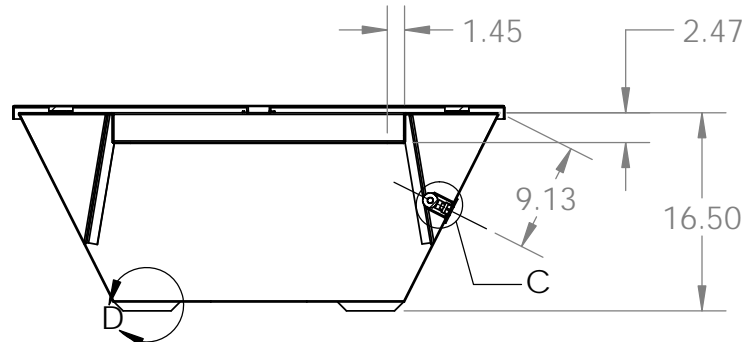


TOP VIEW

- NOTES:**
1. ALL DIMENSIONS ARE IN INCHES UNLESS OTHERWISE SPECIFIED.
 2. MATERIAL: 20 OUNCE COPPER FINISHED WITH MACHINED HAMMER TEXTURE
 3. UNIT WEIGHT: ____ LBS
 4. IGNITION: ELECTRONIC IGNITION, MANUAL SPARK IGNITION, MATCH LIT IGNITION
 5. SOME ITEMS ARE NOT SHOWN IN DRAWING VIEWS. SEE BILL OF MATERIALS FOR FULL PARTS LIST.

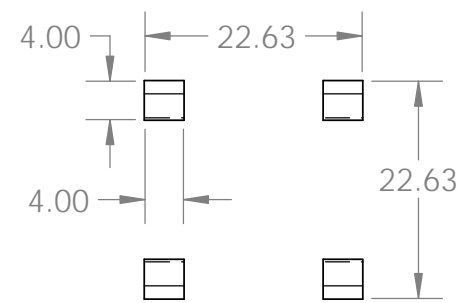


FRONT VIEW

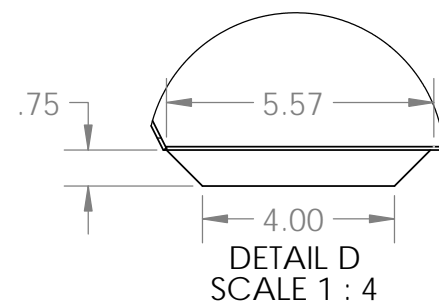


SECTION A-A

ITEM NO.	QTY.	PART NUMBER	DESCRIPTION
8	2	-	END COMPRESSION FITTING ADAPTER, 1/2" FIP X 5/8" FLARE
7	2	-	END COMPRESSION FITTING ADAPTER, 1/2" MIP X 5/8" FLARE
6	2	-	22" TRANQUILINE WHISTLE FREE FLEX LINE - 5/8" OD (1/2" ID)
5	1	-	KEY VALVE BRACKET
4	1	-	STARFIRE DESIGNS 3" UNIVERSAL KEY & VALVE FLANGE COMBO, FINISH: ANTIQUE COPPER
3	1	-	STARFIRE DESIGNS 1/2" MANUAL STRAIGHT QUARTER TURN GAS KEY VALVE
2	1	MORENO-COVER-RECT	OPTIONAL COVER, TABLE TOP
1	2	MORENO-PLZ-404017	FIRE PIT ENCLOSURE, PLAZA MORENO



FOOTPRINT SECTION B-B SCALE 1 : 20



PROPRIETARY AND CONFIDENTIAL
 THE INFORMATION CONTAINED IN THIS DRAWING IS THE SOLE PROPERTY OF STARFIRE DIRECT. ANY REPRODUCTION IN PART OR AS A WHOLE WITHOUT THE WRITTEN PERMISSION OF STARFIRE DIRECT IS PROHIBITED.

UNLESS OTHERWISE SPECIFIED:		NAME	DATE	TITLE:
DIMENSIONS ARE IN INCHES		DRAWN		PLAZA MORENO FIRE PIT 40" X 40" X 17"
TOLERANCES:		CHECKED		
FRACTIONAL ± 1/8"		ENG APPR.		
ANGULAR: MACH ± BEND ±		MFG APPR.		
TWO PLACE DECIMAL ±		Q.A.		SIZE DWG. NO.
THREE PLACE DECIMAL ±				B MORENO-PLZ-404017
INTERPRET GEOMETRIC TOLERANCING PER:		MATERIAL		REV A
MATERIAL		FINISH		SCALE: 1:16 WEIGHT:
NEXT ASSY	USED ON	APPLICATION		SHEET 1 OF 1
		DO NOT SCALE DRAWING		

4

3

2

1