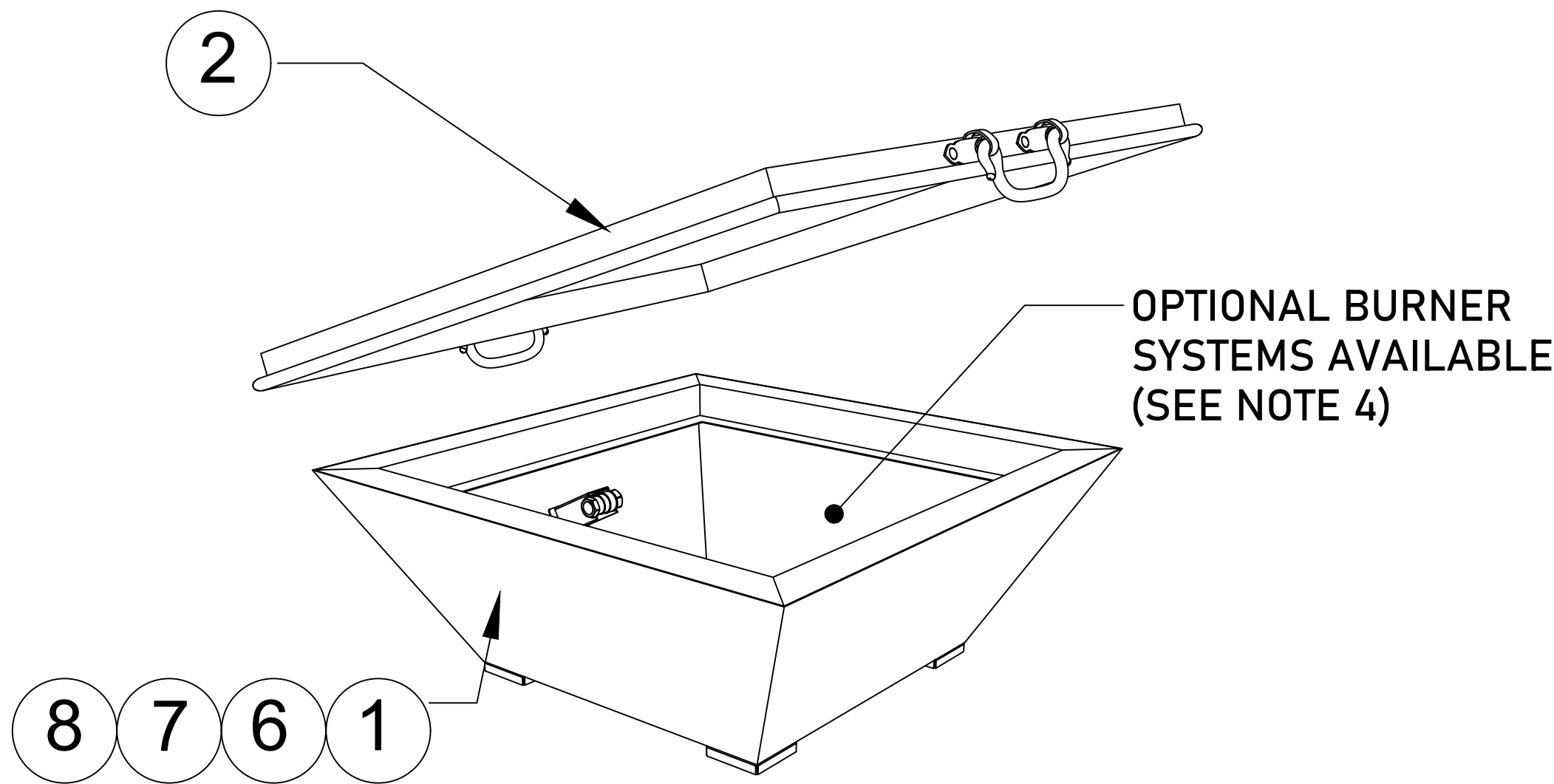


4

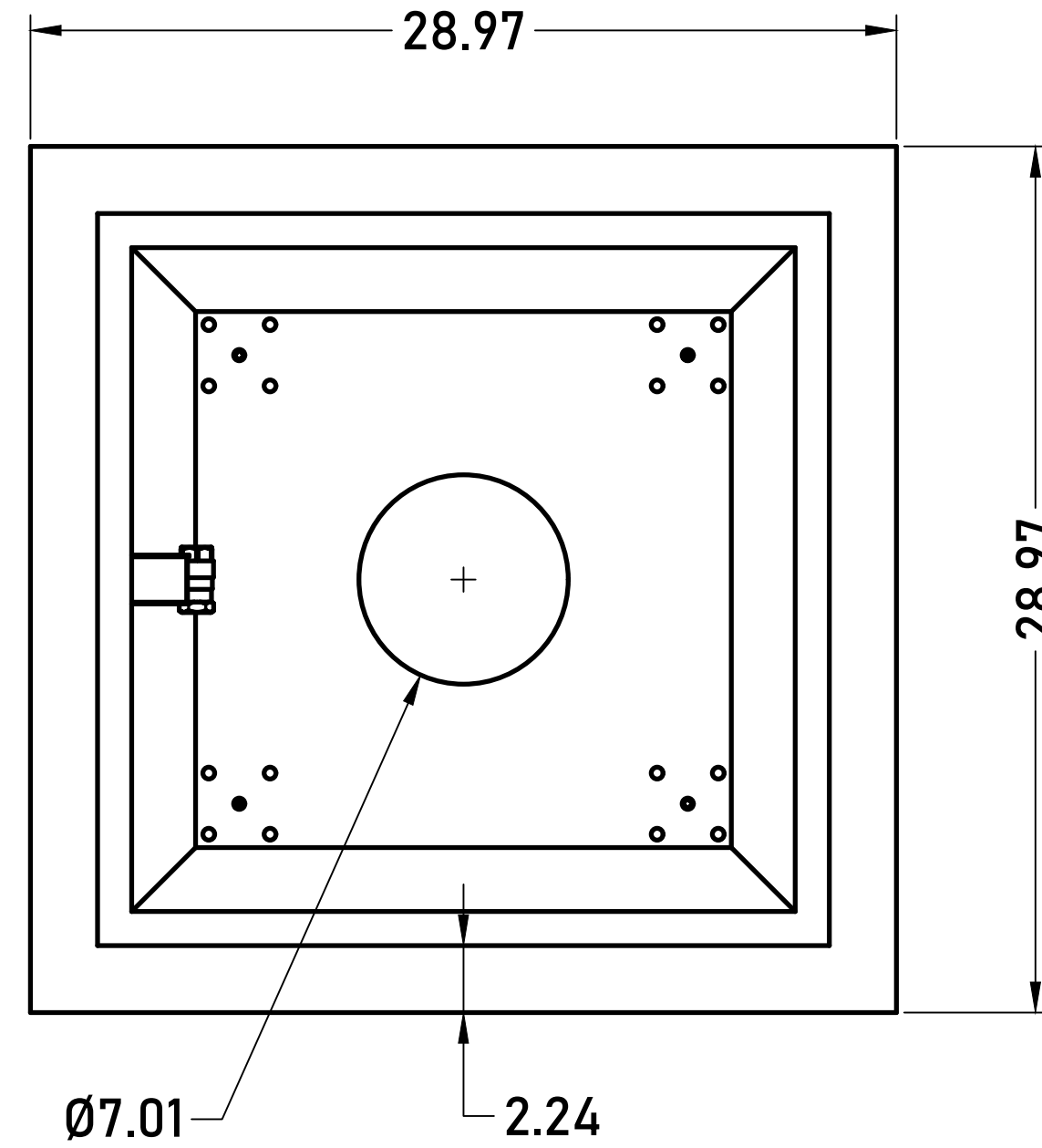
3

2

1



REVERSE PERSPECTIVE VIEW (LID OPENED)



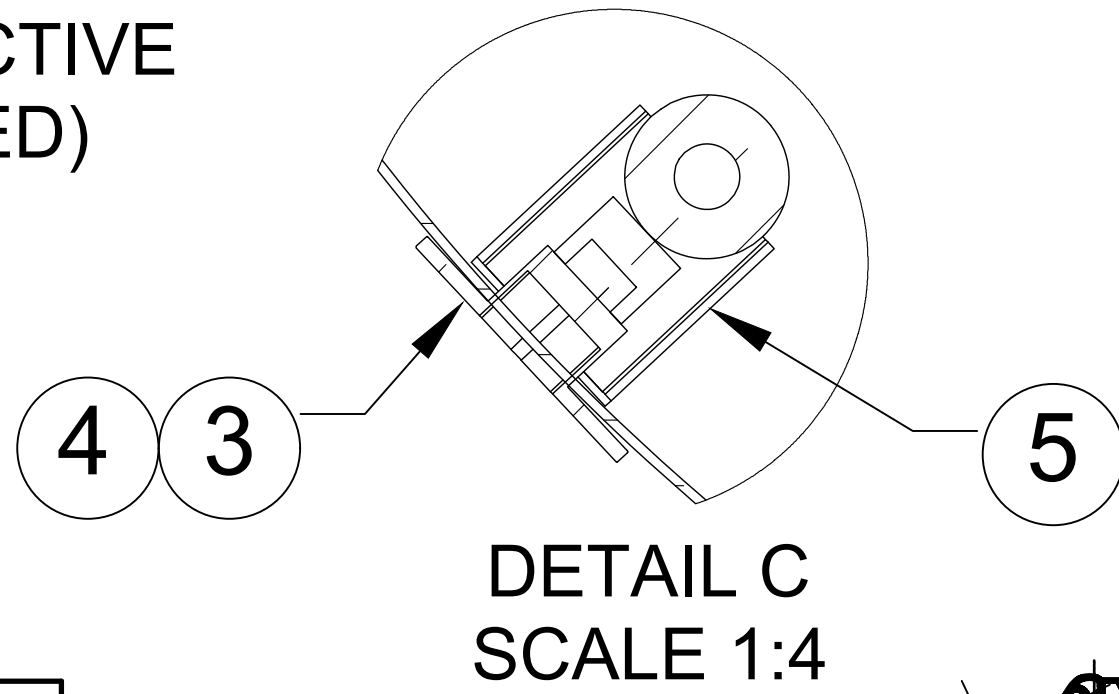
TOP VIEW



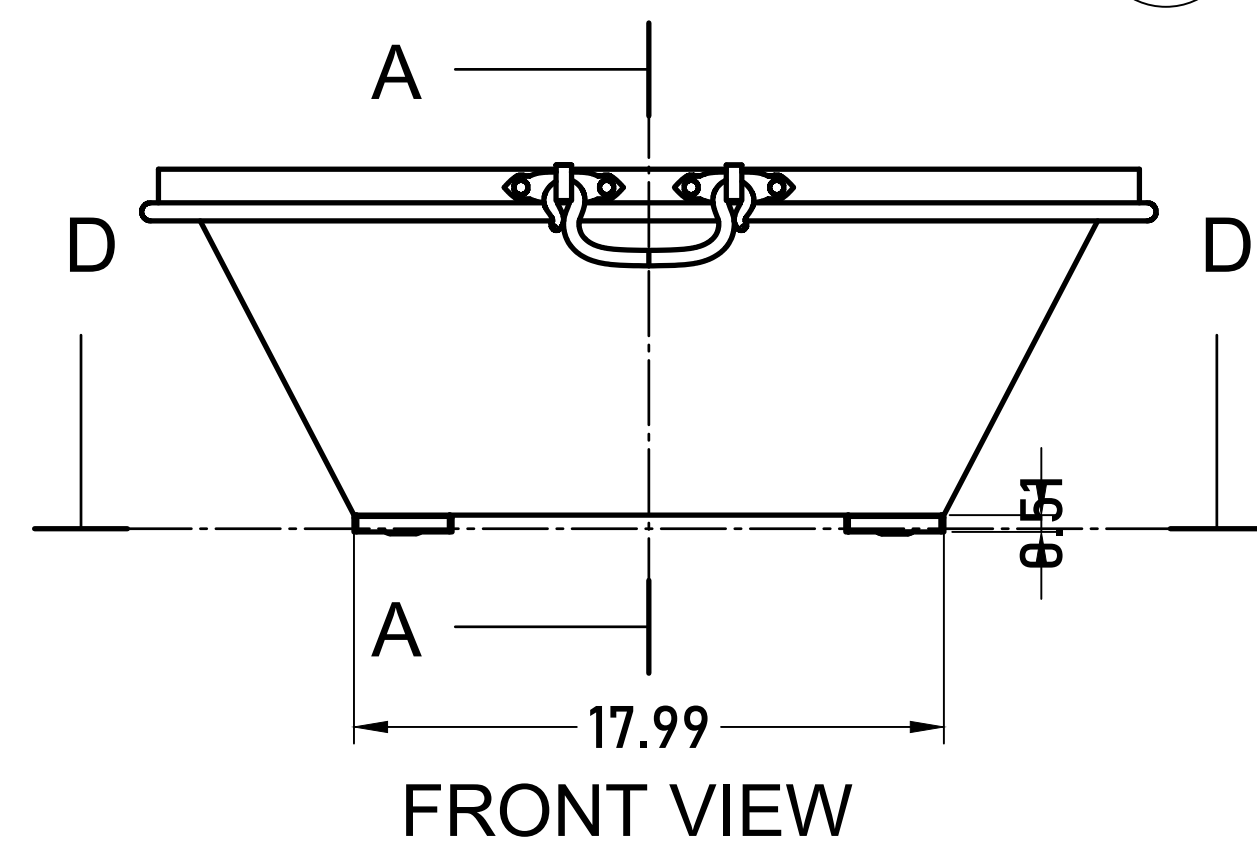
PERSPECTIVE VIEW

NOTES:

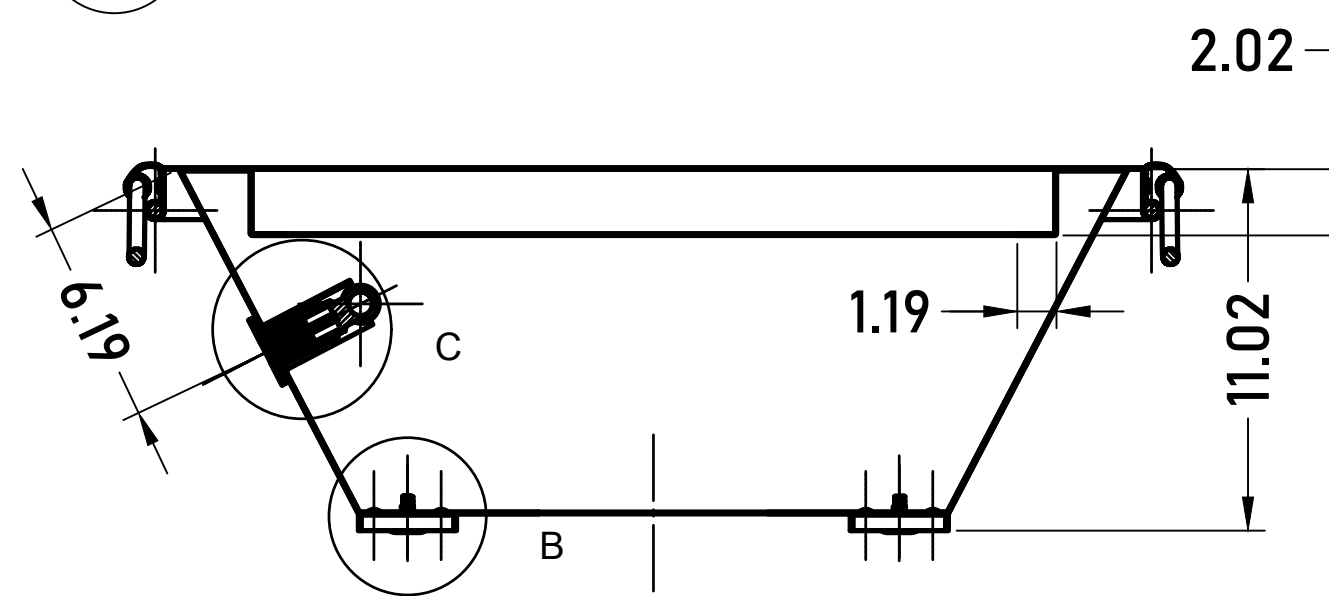
1. ALL DIMENSIONS ARE IN INCHES UNLESS OTHERWISE SPECIFIED.
2. MATERIAL: 20 OUNCE COPPER FINISHED WITH MACHINED HAMMER TEXTURE
3. UNIT WEIGHT: _____ LBS
4. IGNITION: ELECTRONIC IGNITION, MANUAL SPARK IGNITION, MATCH LIT IGNITION
5. SOME ITEMS ARE NOT SHOWN IN DRAWING VIEWS. SEE BILL OF MATERIALS FOR FULL PARTS LIST.



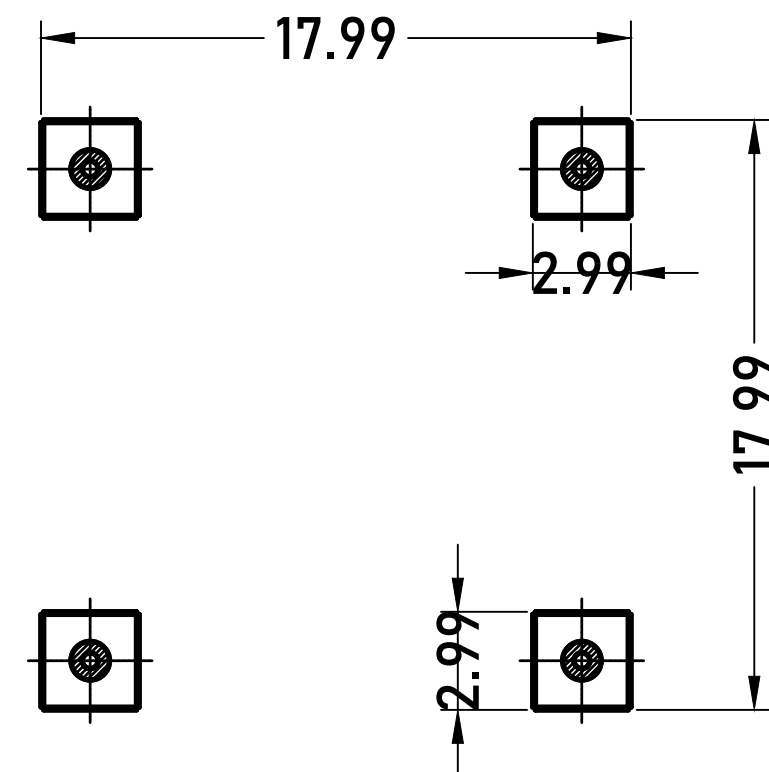
DETAIL C SCALE 1:4



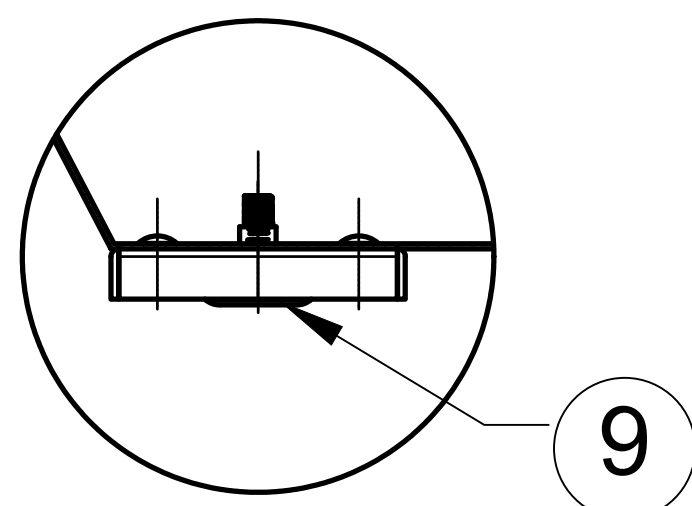
FRONT VIEW



SECTION A-A



FOOTPRINT SECTION D-D SCALE 1:1



DETAIL B SCALE 1:2

ITEM NO.	QTY.	PART NUMBER	DESCRIPTION
9	4	-	ADJUSTABLE FEET FOR STABILITY
8	2	-	CONCRETE ANCHOR, 3/8" X 5" LONG
7	2	-	STARFIRE DESIGNS, MOUNTING BRACKET
6	2	-	TRANQUILINE WHISTLE FREE FLEX LINE - 5/8" OD (1/2" ID)
5	1	-	KEY VALVE BRACKET
4	1	-	STARFIRE DESIGNS 3" UNIVERSAL KEY & VALVE FLANGE COMBO, FINISH: ANTIQUE COPPER
3	1	-	STARFIRE DESIGNS 1/2" MANUAL STRAIGHT QUARTER TURN GAS KEY VALVE
2	1	MORENO-COVER-ROUND	OPTIONAL COVER, TABLE TOP
1	2	MORENO-PLZ-29299	FIRE PIT ENCLOSURE, PLAZA MORENO

PROPRIETARY AND CONFIDENTIAL
 THE INFORMATION CONTAINED IN THIS DRAWING IS THE SOLE PROPERTY OF STARFIRE DIRECT. ANY REPRODUCTION IN PART OR AS A WHOLE WITHOUT THE WRITTEN PERMISSION OF STARFIRE DIRECT IS PROHIBITED.

UNLESS OTHERWISE SPECIFIED:		NAME	DATE
DIMENSIONS ARE IN INCHES TOLERANCES: FRACTIONAL: ±1/8" ANGULAR: MACH ± BEND ± TWO PLACE DECIMAL ± THREE PLACE DECIMAL ±		DRAWN	
INTERPRET GEOMETRIC TOLERANCING PER:		CHECKED	
MATERIAL		ENG APPR.	
FINISH		MFG APPR.	
NEXT ASSY	USED ON	Q.A.	
APPLICATION	DO NOT SCALE DRAWING		

PLAZA MORENO FIRE PIT 29" X 29" X 9"

SIZE	DWG. NO.	REV
B	MORENO-PLZ-29299	A
SCALE: 1/12	WEIGHT:	SHEET 1 OF 1