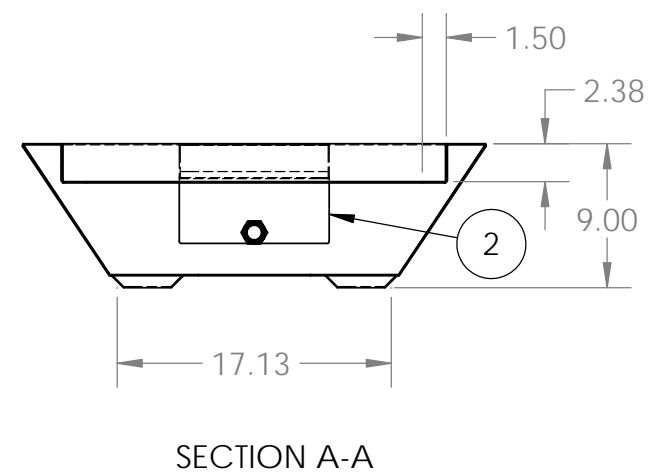
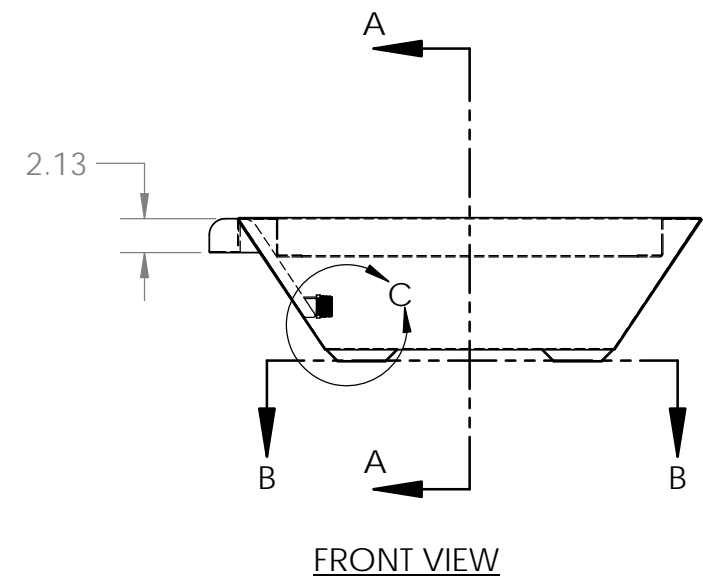
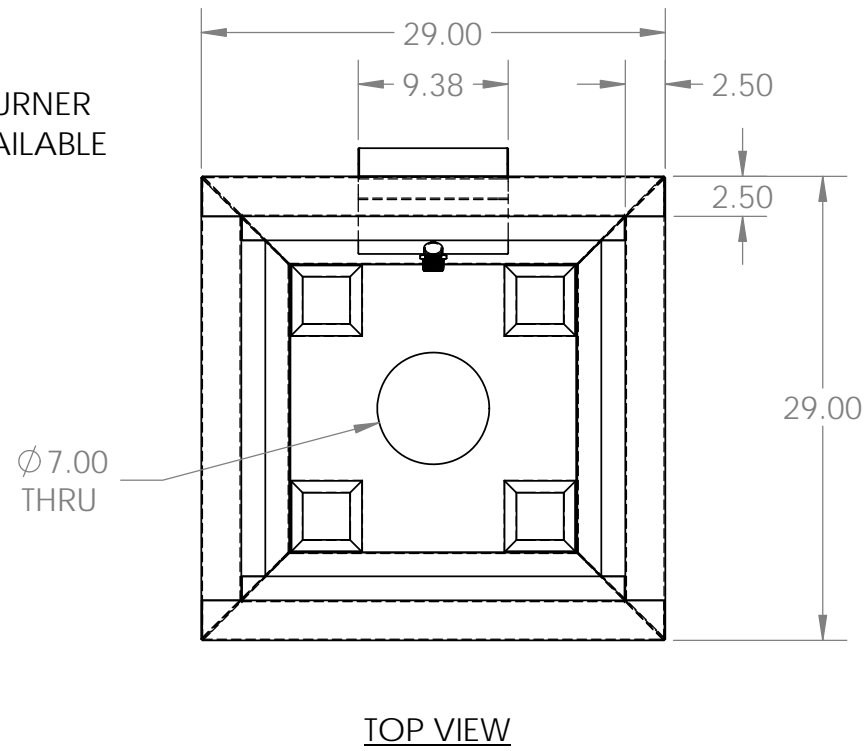
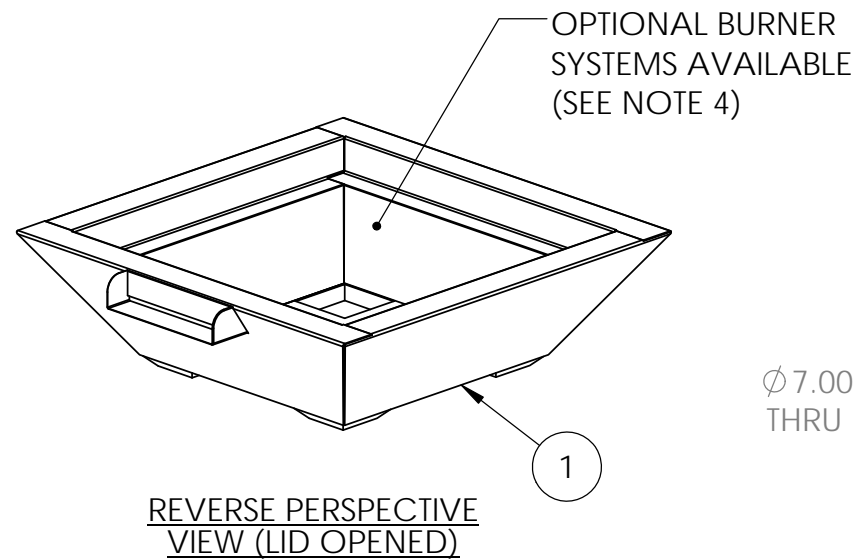


4

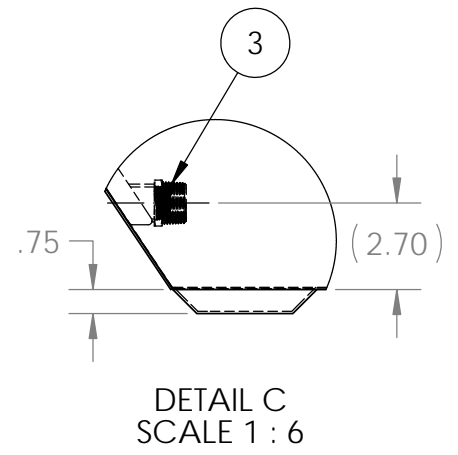
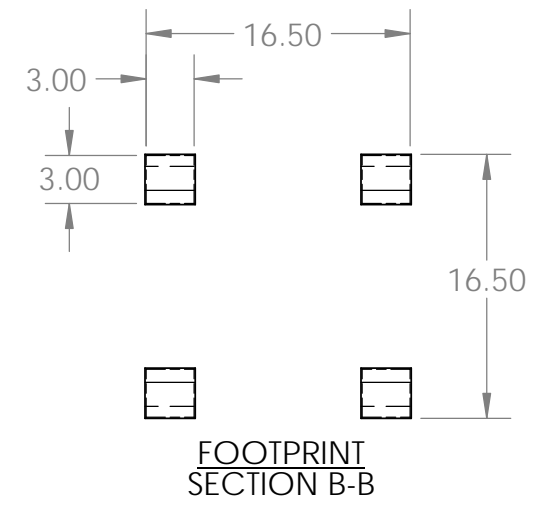
3

2

1



- NOTES:**
1. ALL DIMENSIONS ARE IN INCHES UNLESS OTHERWISE SPECIFIED.
 2. MATERIAL: 20 OUNCE COPPER FINISHED WITH MACHINED HAMMER TEXTURE
 3. UNIT WEIGHT: ____ LBS
 4. IGNITION: ELECTRONIC IGNITION, MANUAL SPARK IGNITION, MATCH LIT IGNITION
 5. SOME ITEMS ARE NOT SHOWN IN DRAWING VIEWS. SEE BILL OF MATERIALS FOR FULL PARTS LIST.



PROPRIETARY AND CONFIDENTIAL
 THE INFORMATION CONTAINED IN THIS DRAWING IS THE SOLE PROPERTY OF STARFIRE DIRECT. ANY REPRODUCTION IN PART OR AS A WHOLE WITHOUT THE WRITTEN PERMISSION OF STARFIRE DIRECT IS PROHIBITED.

ITEM NO.	QTY.	PART NUMBER	DESCRIPTION
3	1	-	1" MNPT BRASS CNNCT, WATER CONNECTION
2	1	MORENO-PLZ-29RES	PLAZA MORENO FW RESERVOIR
1	2	MORENO-PLZ-WF	FIRE PIT ENCLOSURE, PLAZA MORENO, FIRE-WATER

UNLESS OTHERWISE SPECIFIED:		NAME	DATE	TITLE:
DIMENSIONS ARE IN INCHES		DRAWN		PLAZA MORENO FIRE PIT FIRE/WATER
TOLERANCES:		CHECKED		
FRACTIONAL ± 1/8"		ENG APPR.		
ANGULAR: MACH ± BEND ±		MFG APPR.		
TWO PLACE DECIMAL ±		Q.A.		SIZE DWG. NO.
THREE PLACE DECIMAL ±		MATERIAL		B MORENO-PLAZA-FW
INTERPRET GEOMETRIC TOLERANCING PER:		FINISH		REV A
NEXT ASSY	USED ON	APPLICATION		SCALE: 1:12 WEIGHT:
DO NOT SCALE DRAWING		STARFIRE DESIGNS		SHEET 1 OF 1

4

3

2

1