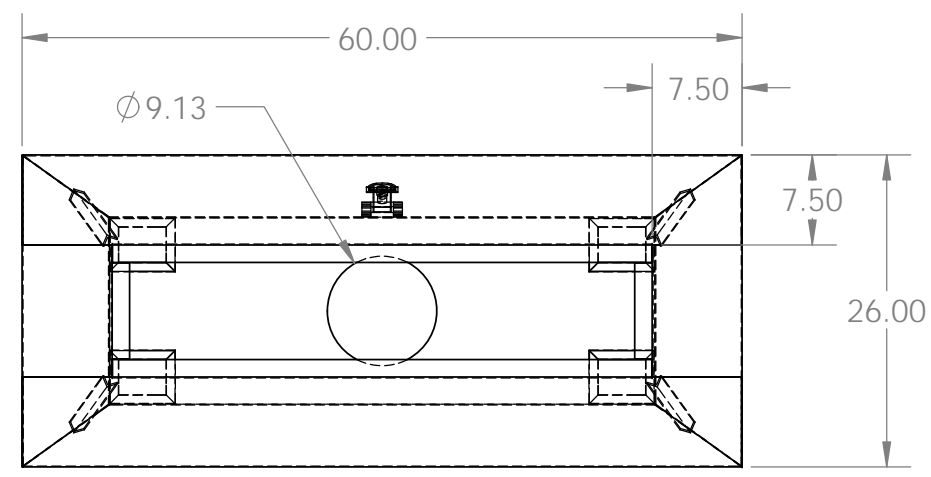
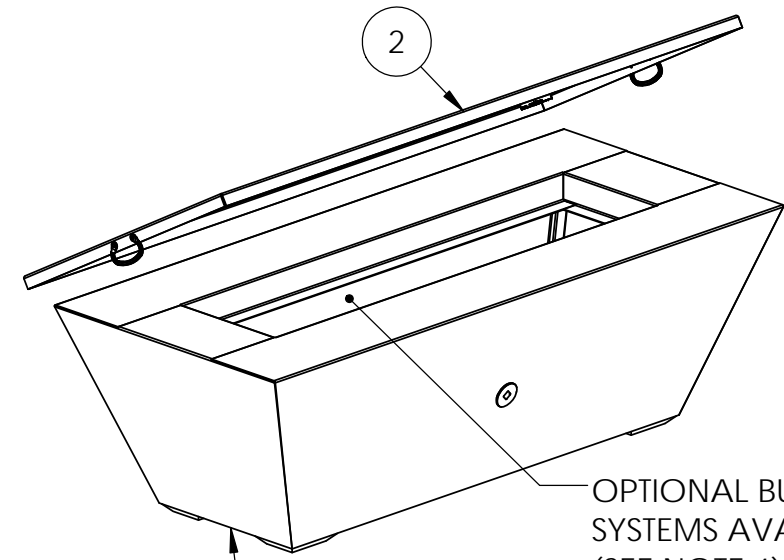


4

3

2

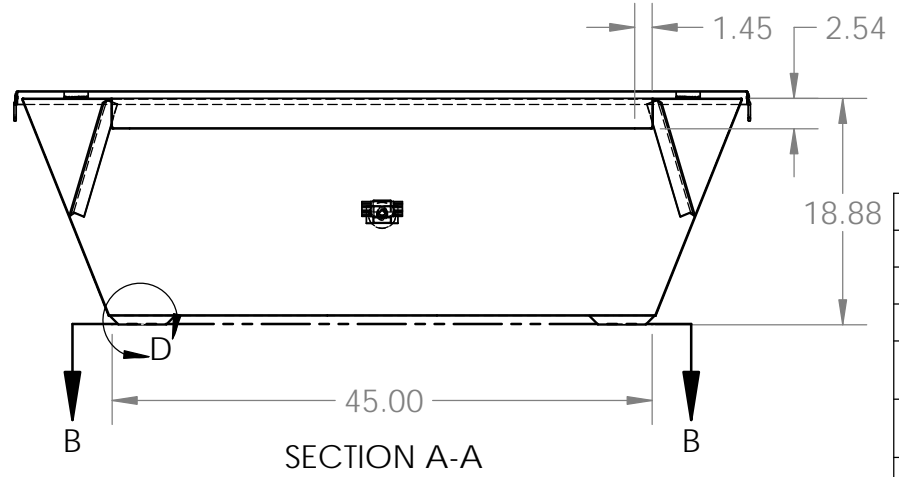
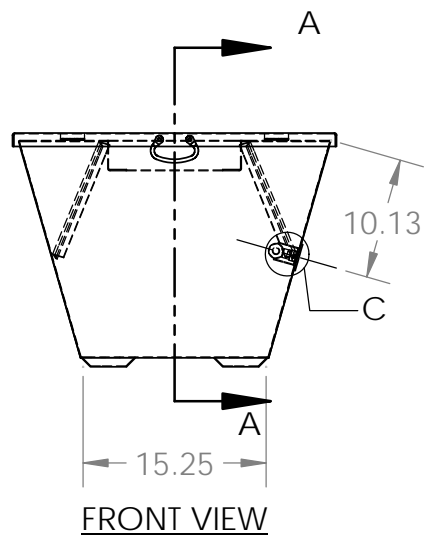
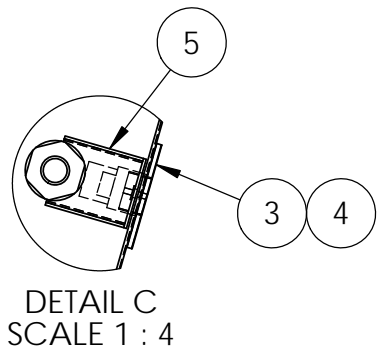
1



PERSPECTIVE VIEW

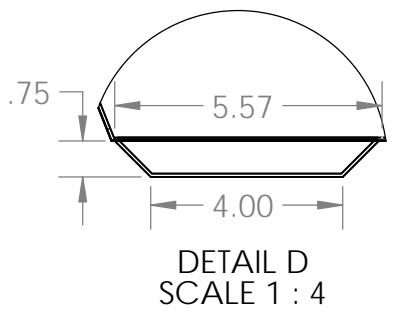
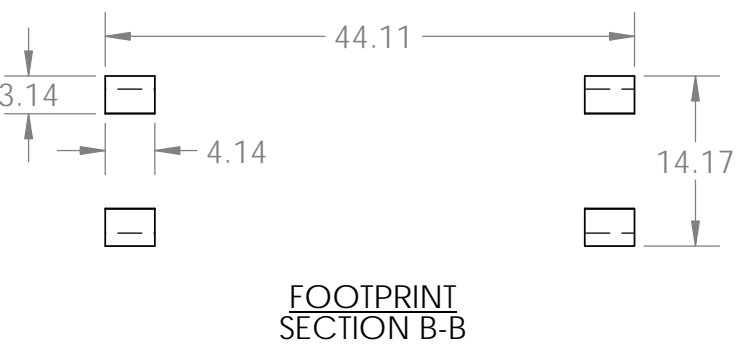
REVERSE PERSPECTIVE VIEW (LID OPENED)

TOP VIEW



- NOTES:**
1. ALL DIMENSIONS ARE IN INCHES UNLESS OTHERWISE SPECIFIED.
  2. MATERIAL: 20 OUNCE COPPER FINISHED WITH MACHINED HAMMER TEXTURE
  3. UNIT WEIGHT: \_\_\_\_ LBS
  4. IGNITION: ELECTRONIC IGNITION, MANUAL SPARK IGNITION, MATCH LIT IGNITION
  5. SOME ITEMS ARE NOT SHOWN IN DRAWING VIEWS. SEE BILL OF MATERIALS FOR FULL PARTS LIST.

ITEM NO.	QTY.	PART NUMBER	DESCRIPTION
8	-	-	END COMPRESSION FITTING ADAPTER, 1/2" FIP X 5/8" FLARE
7	-	-	END COMPRESSION FITTING ADAPTER, 1/2" MIP X 5/8" FLARE
6	-	-	22" TRANQUILINE WHISTLE FREE FLEX LINE - 5/8" OD (1/2" ID)
5	1	-	KEY VALVE BRACKET
4	-	-	STARFIRE DESIGNS 3" UNIVERSAL KEY & VALVE FLANGE COMBO, FINISH: ANTIQUE COPPER
3	1	-	STARFIRE DESIGNS 1/2" MANUAL STRAIGHT QUARTER TURN GAS KEY VALVE
2	1	MORENO-COVER-RECT	OPTIONAL COVER, TABLE TOP
1	2	MORENO-LRGO_602619	FIRE PIT ENCLOSURE, LARGO MORENO



**PROPRIETARY AND CONFIDENTIAL**  
THE INFORMATION CONTAINED IN THIS DRAWING IS THE SOLE PROPERTY OF STARFIRE DIRECT. ANY REPRODUCTION IN PART OR AS A WHOLE WITHOUT THE WRITTEN PERMISSION OF STARFIRE DIRECT IS PROHIBITED.

UNLESS OTHERWISE SPECIFIED:		NAME	DATE	TITLE:
DIMENSIONS ARE IN INCHES		DRAWN		<b>LARGO MORENO FIRE PIT 60" X 26" X 19"</b>
TOLERANCES:		CHECKED		
FRACTIONAL: ± 1/8"		ENG APPR.		
ANGULAR: MACH ± BEND ±		MFG APPR.		
TWO PLACE DECIMAL ±		Q.A.		SIZE DWG. NO. REV
THREE PLACE DECIMAL ±				<b>B</b> MORENO-LRGO-602619 <b>A</b>
INTERPRET GEOMETRIC TOLERANCING PER:		MATERIAL		SCALE: 1:16 WEIGHT:
MATERIAL		FINISH		SHEET 1 OF 1
NEXT ASSY	USED ON	APPLICATION		
DO NOT SCALE DRAWING		STARFIRE DESIGNS		

4

3

2

1