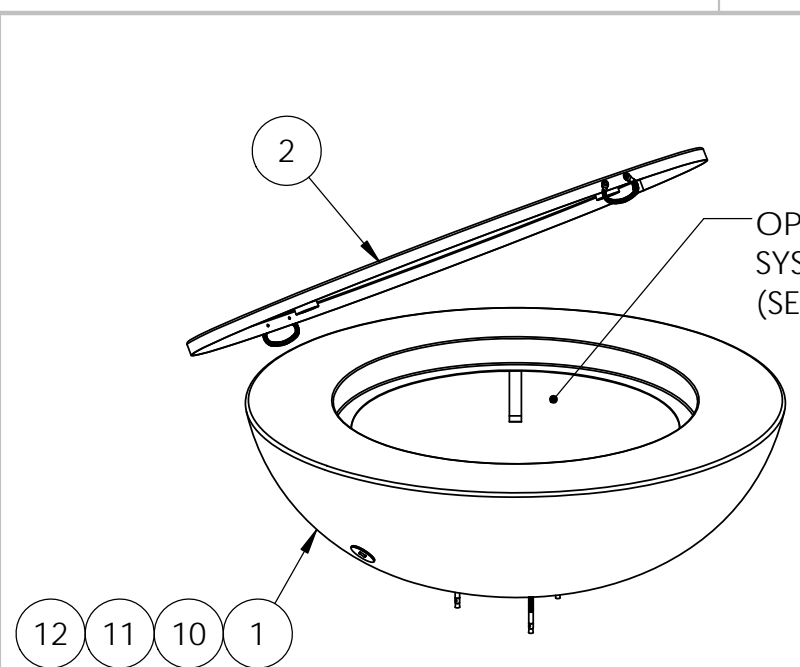


4

3

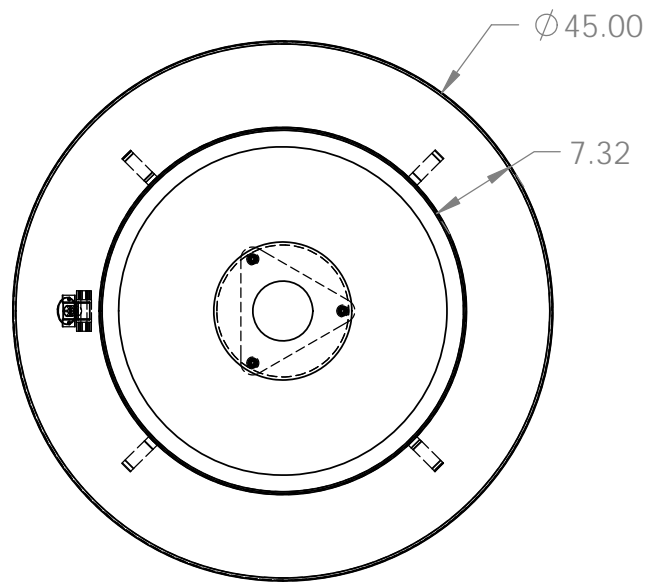
2

1



REVERSE PERSPECTIVE VIEW (LID OPENED)

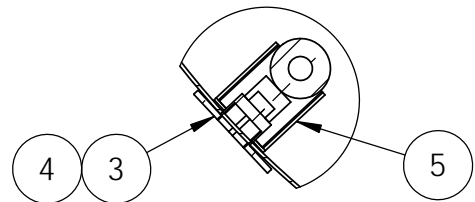
OPTIONAL BURNER SYSTEMS AVAILABLE (SEE NOTE 4)



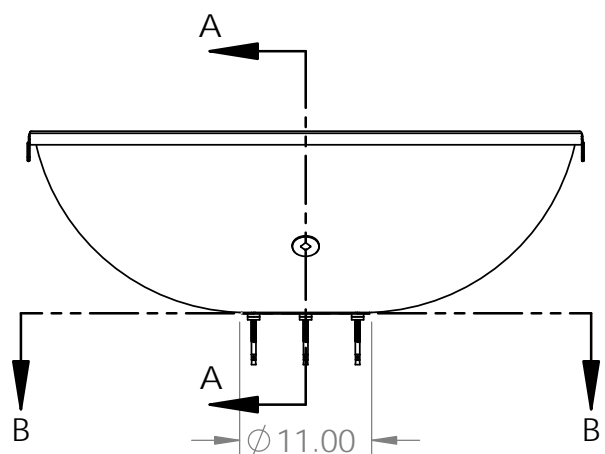
TOP VIEW



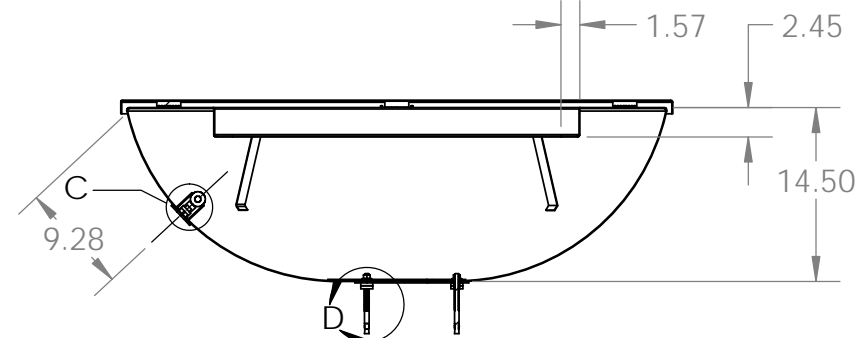
PERSPECTIVE VIEW



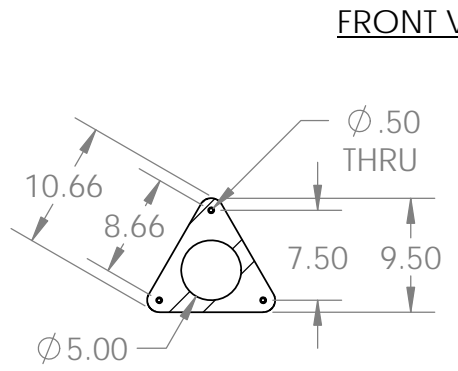
DETAIL C SCALE 1 : 4



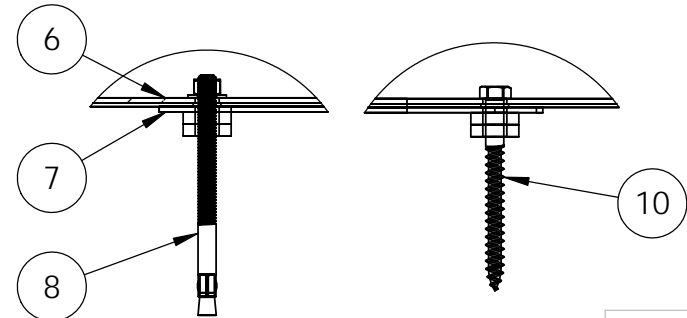
FRONT VIEW



SECTION A-A



FOOTPRINT SECTION B-B



FOR CONCRETE DECKS

FOR WOOD DECKS

DETAIL D SCALE 1 : 4

- NOTES:**
- ALL DIMENSIONS ARE IN INCHES UNLESS OTHERWISE SPECIFIED.
 - MATERIAL: 20 OUNCE COPPER FINISHED WITH MACHINED HAMMER TEXTURE
 - UNIT WEIGHT: ____ LBS
 - IGNITION: ELECTRONIC IGNITION, MANUAL SPARK IGNITION, MATCH LIT IGNITION
 - SOME ITEMS ARE NOT SHOWN IN DRAWING VIEWS. SEE BILL OF MATERIALS FOR FULL PARTS LIST.

12	2	-	END COMPRESSION FITTING ADAPTER, 1/2" FIP X 5/8" FLARE
11	2	-	END COMPRESSION FITTING ADAPTER, 1/2" MIP X 5/8" FLARE
10	2	-	22" TRANQUILINE WHISTLE FREE FLEX LINE - 5/8" OD (1/2" ID)
9	3	-	WOOD ANCHOR (LAG SCREW), 3/8" X 4" LONG
8	3	-	CONCRETE ANCHOR, 3/8" X 5" LONG
7	1	-	STARFIRE DESIGNS, MOUNTING BRACKET
6	1	-	STARFIRE DESIGNS, SUPPORT PLATE, INNER
5	1	-	KEY VALVE BRACKET
4	1	-	STARFIRE DESIGNS 3" UNIVERSAL KEY & VALVE FLANGE COMBO, FINISH: ANTIQUE COPPER
3	1	-	STARFIRE DESIGNS 1/2" MANUAL STRAIGHT QUARTER TURN GAS KEY VALVE
2	1	MORENO-COVER-ROUND	OPTIONAL COVER, TABLE TOP
1	1	MORENO-COPA-4515	FIRE PIT ENCLOSURE, CONO MORENO
ITEM NO.	QTY.	PART NUMBER	DESCRIPTION

PROPRIETARY AND CONFIDENTIAL
 THE INFORMATION CONTAINED IN THIS DRAWING IS THE SOLE PROPERTY OF STARFIRE DIRECT. ANY REPRODUCTION IN PART OR AS A WHOLE WITHOUT THE WRITTEN PERMISSION OF STARFIRE DIRECT IS PROHIBITED.

UNLESS OTHERWISE SPECIFIED:		NAME	DATE	TITLE:
DIMENSIONS ARE IN INCHES		DRAWN		COPA MORENO FIRE PIT 45" X 15"
TOLERANCES:		CHECKED		
FRACTIONAL ± 1/8"		ENG APPR.		
ANGULAR: MACH ± BEND ±		MFG APPR.		
TWO PLACE DECIMAL ±		Q.A.		SIZE DWG. NO.
THREE PLACE DECIMAL ±				B MORENO-COPA-4515
INTERPRET GEOMETRIC TOLERANCING PER:				REV
MATERIAL				A
FINISH				
NEXT ASSY	USED ON	SCALE: 1:16 WEIGHT:		SHEET 1 OF 1
APPLICATION		DO NOT SCALE DRAWING		

4

3

2

1