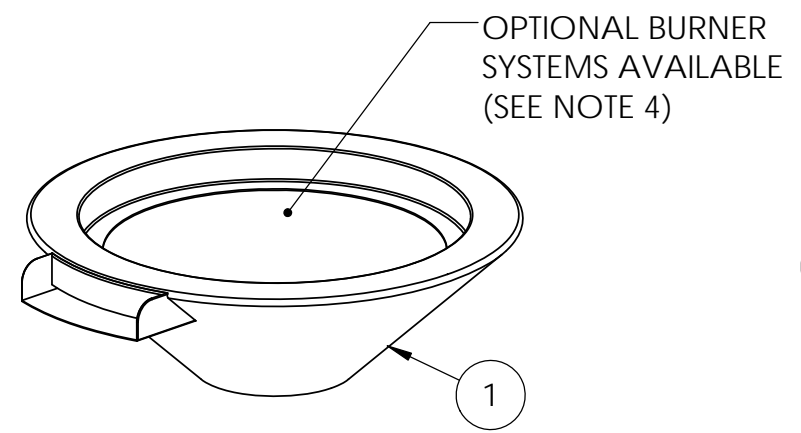


4

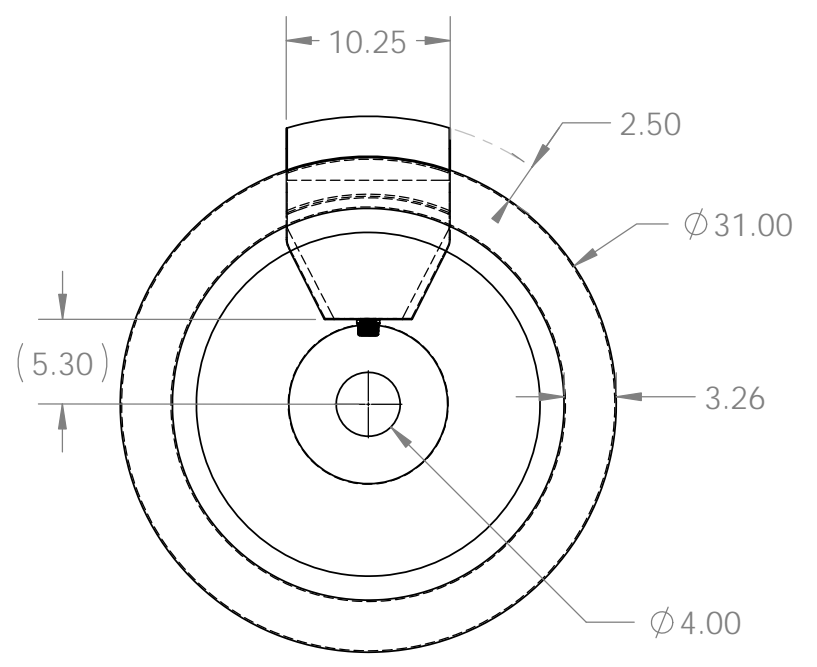
3

2

1



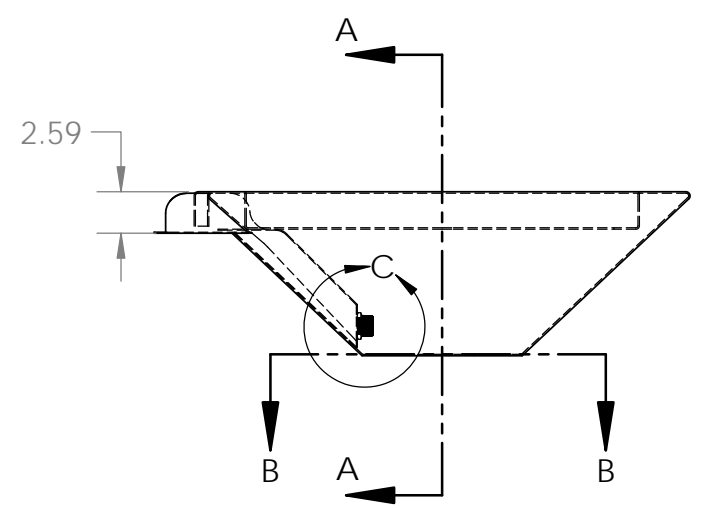
REVERSE PERSPECTIVE VIEW (LID OPENED)



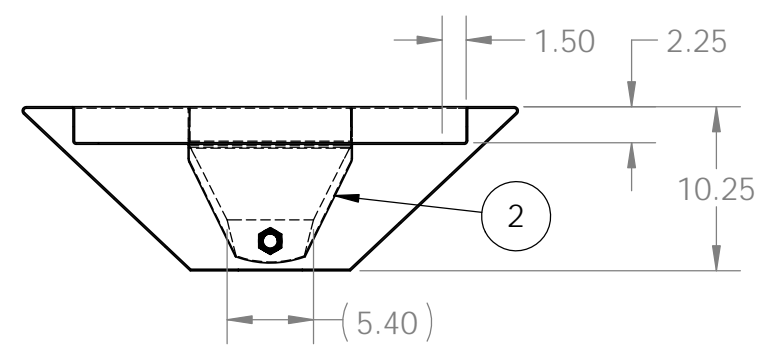
TOP VIEW



PERSPECTIVE VIEW

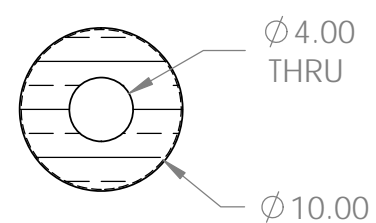


FRONT VIEW

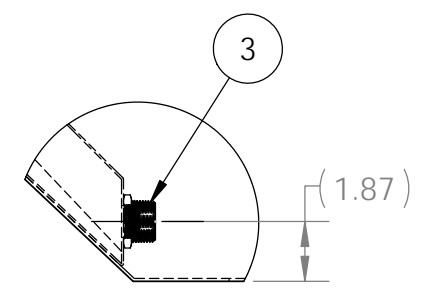


SECTION A-A

- NOTES:**
1. ALL DIMENSIONS ARE IN INCHES UNLESS OTHERWISE SPECIFIED.
 2. MATERIAL: 20 OUNCE COPPER FINISHED WITH MACHINED HAMMER TEXTURE
 3. UNIT WEIGHT: ____ LBS
 4. IGNITION: ELECTRONIC IGNITION, MANUAL SPARK IGNITION, MATCH LIT IGNITION
 5. SOME ITEMS ARE NOT SHOWN IN DRAWING VIEWS. SEE BILL OF MATERIALS FOR FULL PARTS LIST.



FOOTPRINT SECTION B-B



DETAIL C SCALE 1 : 6

PROPRIETARY AND CONFIDENTIAL
 THE INFORMATION CONTAINED IN THIS DRAWING IS THE SOLE PROPERTY OF STARFIRE DIRECT. ANY REPRODUCTION IN PART OR AS A WHOLE WITHOUT THE WRITTEN PERMISSION OF STARFIRE DIRECT IS PROHIBITED.

ITEM NO.	QTY.	PART NUMBER	DESCRIPTION
3	1	-	1" MNPT BRASS CNNCT, WATER CONNECTION
2	1	MORENO-CONO-FW-31RES	CONO MORENO FW RESERVOIR
1	1	MORENO-CONO-FW-3111	FIRE PIT ENCLOSURE, CONO MORENO, FIRE-WATER

UNLESS OTHERWISE SPECIFIED:		NAME	DATE	TITLE:
DIMENSIONS ARE IN INCHES		DRAWN		CONO MORENO FIRE PIT FIRE/WATER
TOLERANCES:		CHECKED		
FRACTIONAL: ± 1/8"		ENG APPR.		
ANGULAR: MACH ± BEND ±		MFG APPR.		
TWO PLACE DECIMAL ±		Q.A.		SIZE DWG. NO.
THREE PLACE DECIMAL ±		MATERIAL		B MORENO-CONO-FW
INTERPRET GEOMETRIC TOLERANCING PER:		FINISH		REV A
NEXT ASSY	USED ON	APPLICATION		SCALE: 1:12 WEIGHT:
		DO NOT SCALE DRAWING		SHEET 1 OF 1



4

3

2

1

B

B

A

A