

4

3

2

1

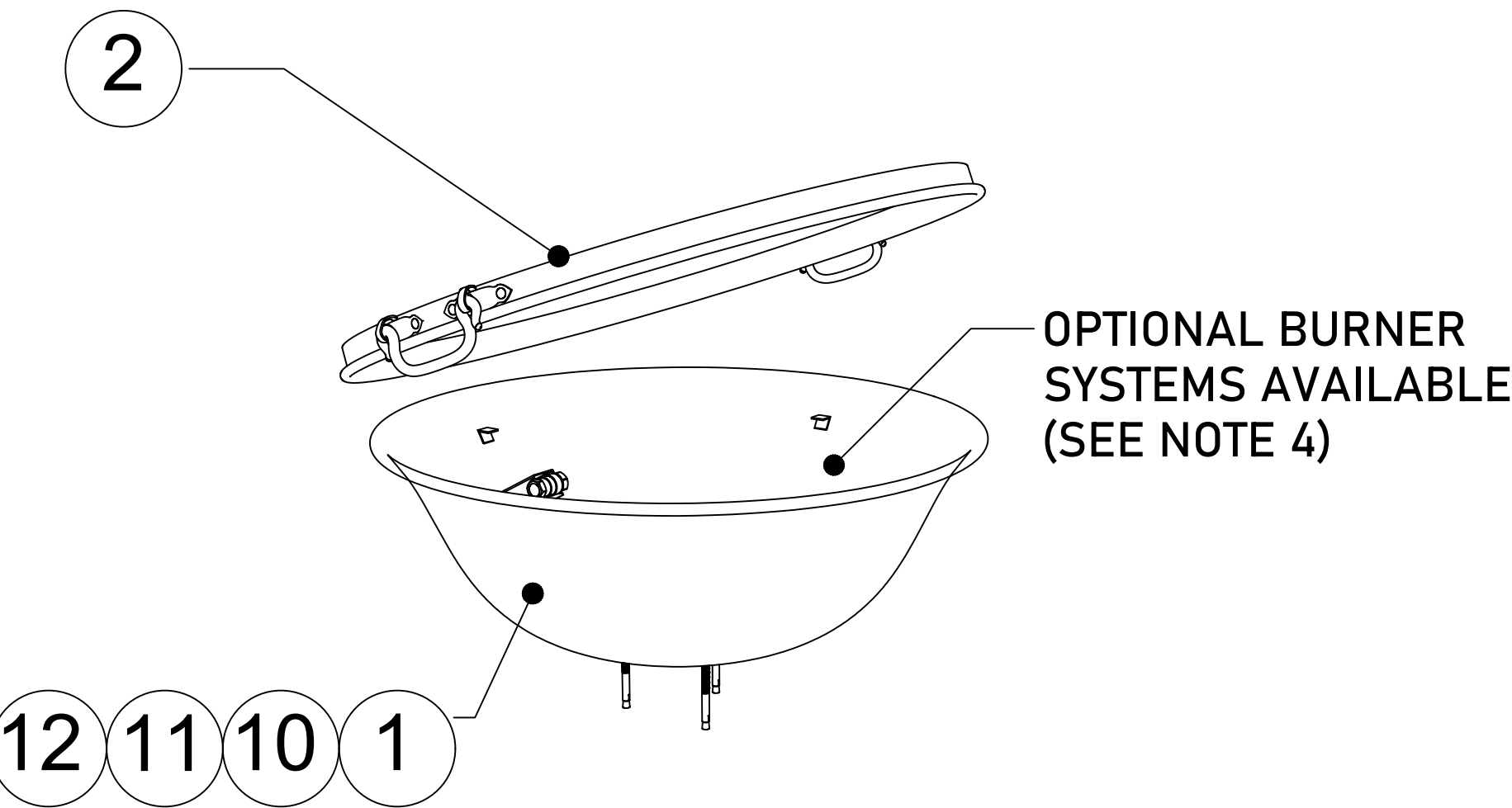


PERSPECTIVE VIEW

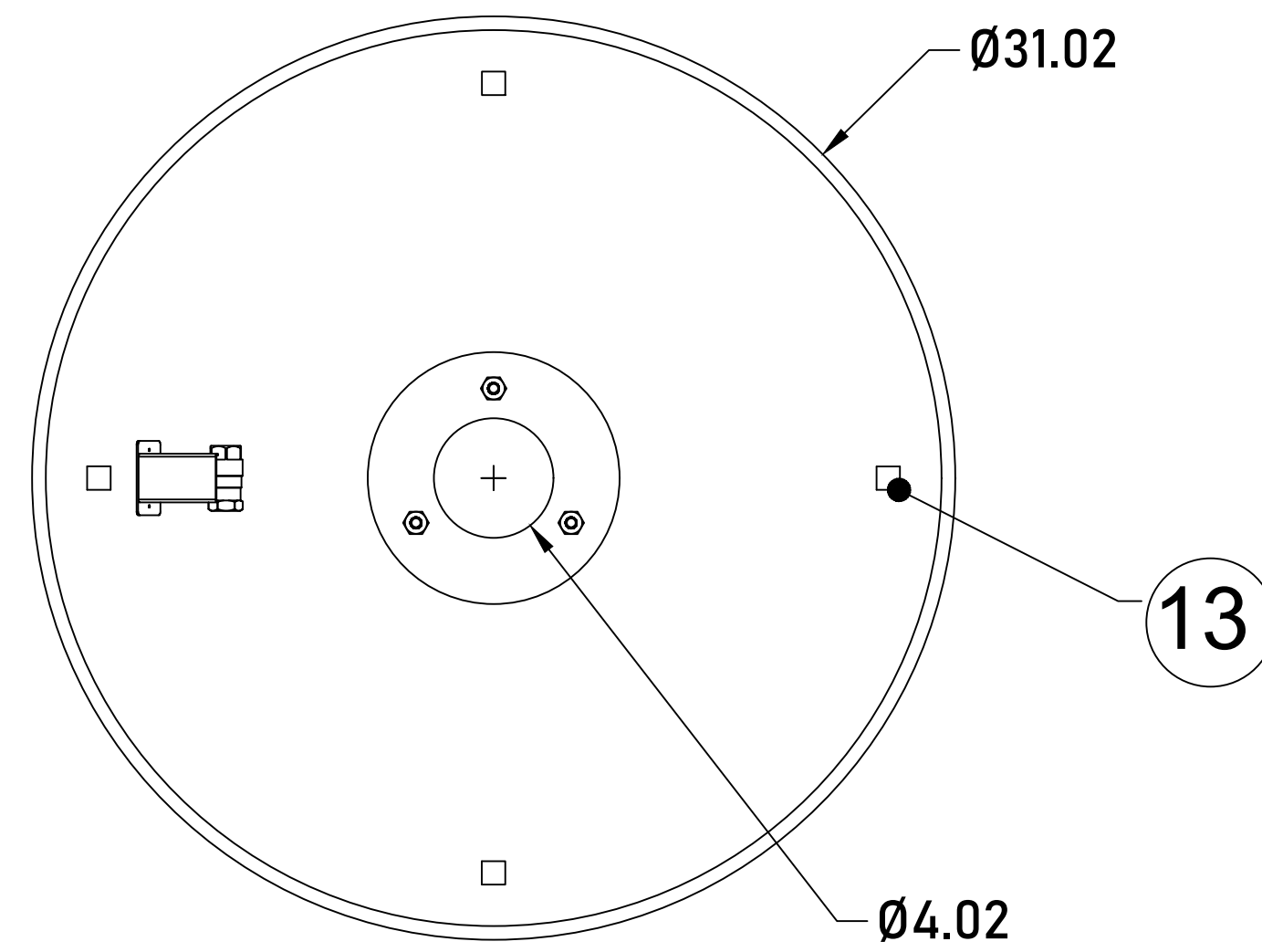
NOTES:

1. ALL DIMENSIONS ARE IN INCHES UNLESS OTHERWISE SPECIFIED.
2. MATERIAL: 20 OUNCE COPPER FINISHED WITH MACHINED HAMMER TEXTURE
3. UNIT WEIGHT: _____ LBS
4. IGNITION: ELECTRONIC IGNITION, MANUAL SPARK IGNITION, MATCH LIT IGNITION
5. SOME ITEMS ARE NOT SHOWN IN DRAWING VIEWS. SEE BILL OF MATERIALS FOR FULL PARTS LIST.

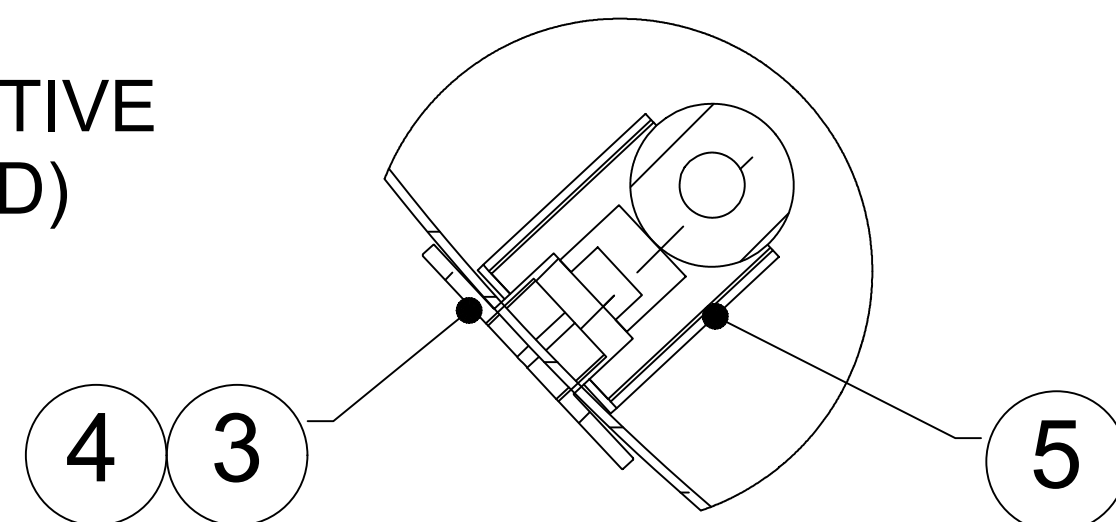
ITEM NO.	QTY.	PART NUMBER	DESCRIPTION
13	4	-	PAN HOLDER FEET
12	2	-	END COMPRESSION FITTING ADAPTER, 1/2" FIP X 5/8" FLARE
11	2	-	END COMPRESSION FITTING ADAPTER, 1/2" MIP X 5/8" FLARE
10	2	-	TRANQUILINE WHISTLE FREE FLEX LINE - 5/8" OD (1/2" ID)
9	3	-	WOOD ANCHOR (LAG SCREW), 3/8" X 4" LONG
8	3	-	CONCRETE ANCHOR, 3/8" X 5" LONG
7	1	-	STARFIRE DESIGNS, MOUNTING BRACKET
6	1	-	TRANQUILINE WHISTLE FREE FLEX LINE - 5/8" OD (1/2" ID)
5	1	-	KEY VALVE BRACKET
4	1	-	STARFIRE DESIGNS 3" UNIVERSAL KEY & VALVE FLANGE COMBO, FINISH: ANTIQUE COPPER
3	1	-	STARFIRE DESIGNS 1/2" MANUAL STRAIGHT QUARTER TURN GAS KEY VALVE
2	1	MORENO-COVER-ROUND	OPTIONAL COVER, TABLE TOP
1	1	MORENO-CAMPANA-3111	FIRE PIT ENCLOSURE, CAMPANA MORENO



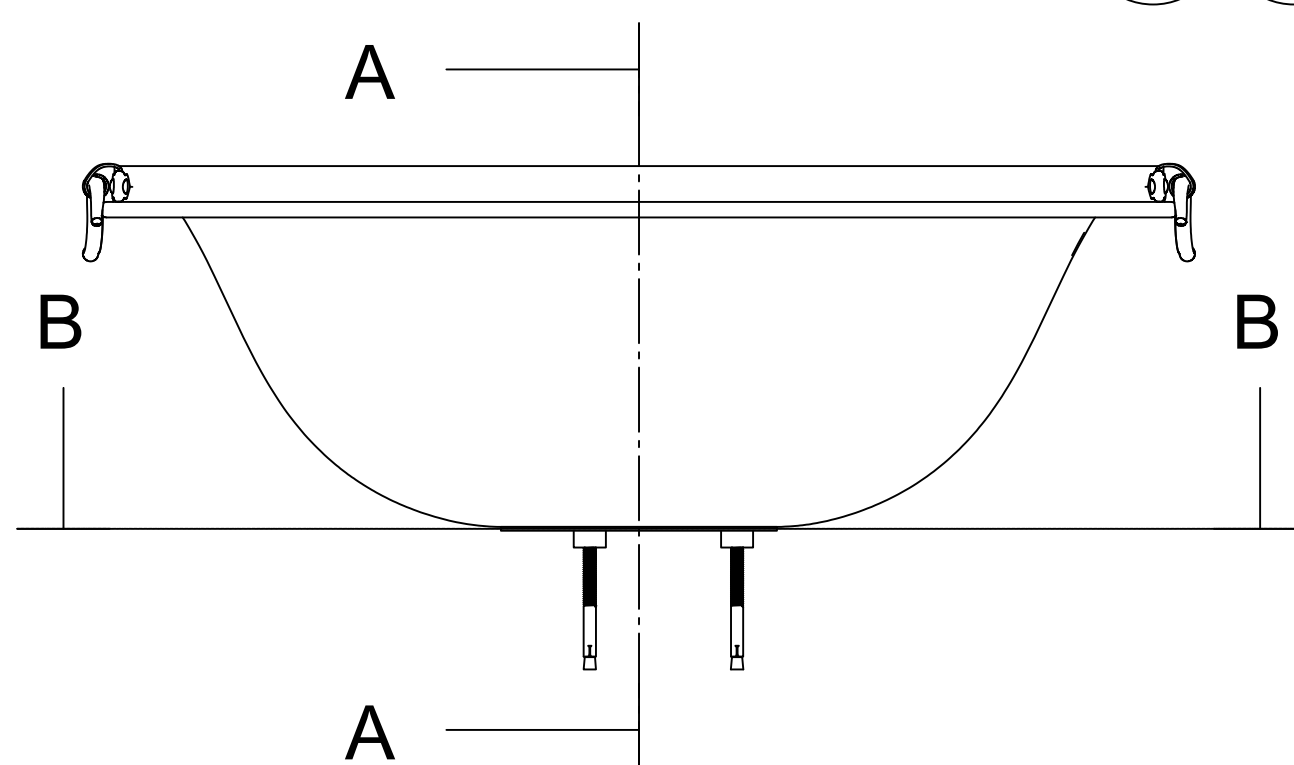
REVERSE PERSPECTIVE VIEW (LID OPENED)



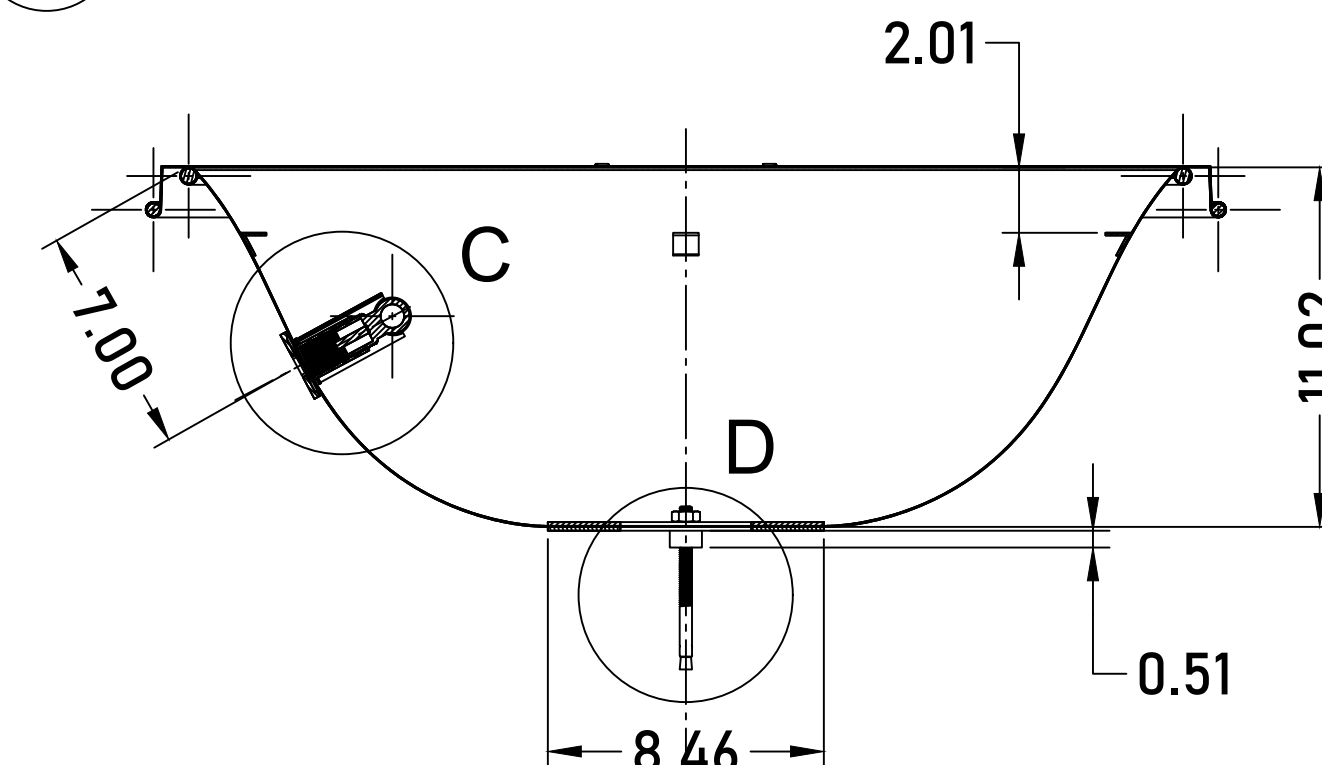
TOP VIEW



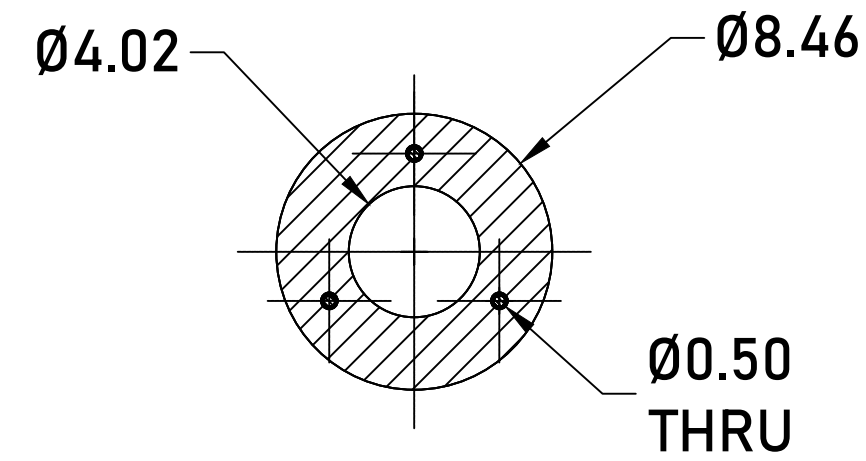
DETAIL C SCALE 1:4



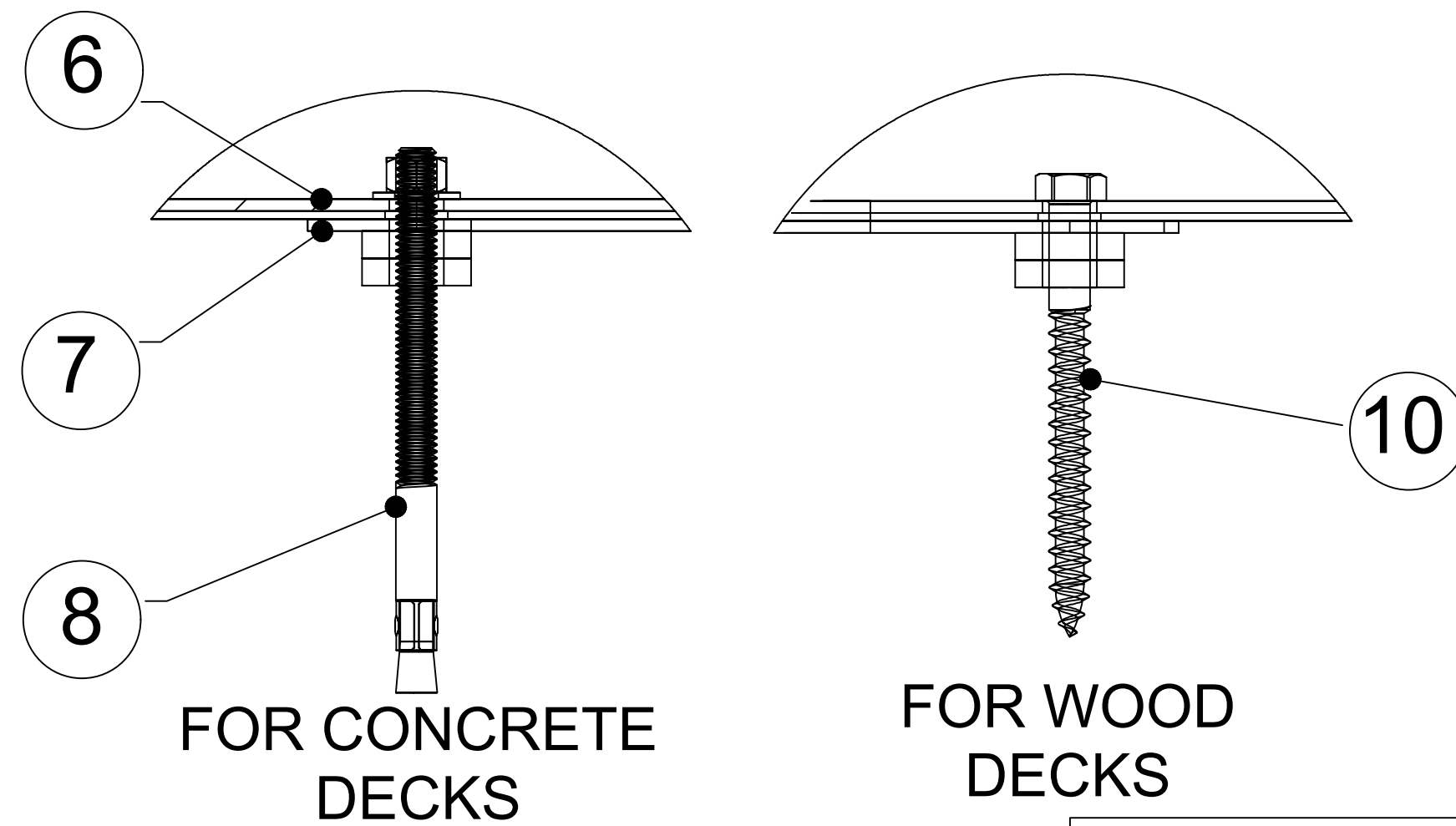
FRONT VIEW



SECTION A-A



FRONT PRINT SECTION B-B



FOR CONCRETE DECKS

FOR WOOD DECKS

DETAIL D SCALE 1:4

PROPRIETARY AND CONFIDENTIAL
 THE INFORMATION CONTAINED IN THIS DRAWING IS THE SOLE PROPERTY OF STARFIRE DIRECT. ANY REPRODUCTION IN PART OR AS A WHOLE WITHOUT THE WRITTEN PERMISSION OF STARFIRE DIRECT IS PROHIBITED.

UNLESS OTHERWISE SPECIFIED:		NAME	DATE
DIMENSIONS ARE IN INCHES		DRAWN	
TOLERANCES:		CHECKED	
FRACTIONAL: ±1/8"		ENG APPR.	
ANGULAR: MACH ±		MFG APPR.	
BEND ±		Q.A.	
TWO PLACE DECIMAL ±			
THREE PLACE DECIMAL ±			
INTERPRET GEOMETRIC TOLERANCING PER:			
MATERIAL			
FINISH			
NEXT ASSY	USED ON		
APPLICATION	DO NOT SCALE DRAWING		



CAMPANA MORENO FIRE PIT 31" X 11"

SIZE	DWG. NO.	REV
B	MORENO-CAMPANA-3111	A
SCALE: 1/12	WEIGHT:	SHEET 1 OF 1

4

3

2

1

B

B

A

A