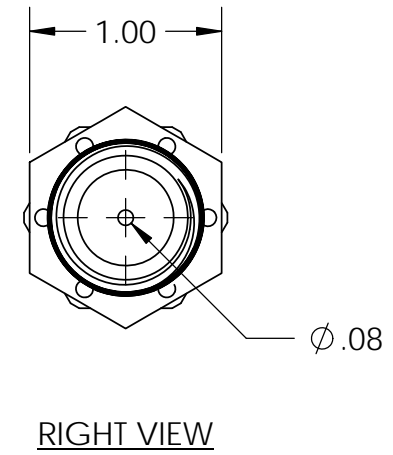
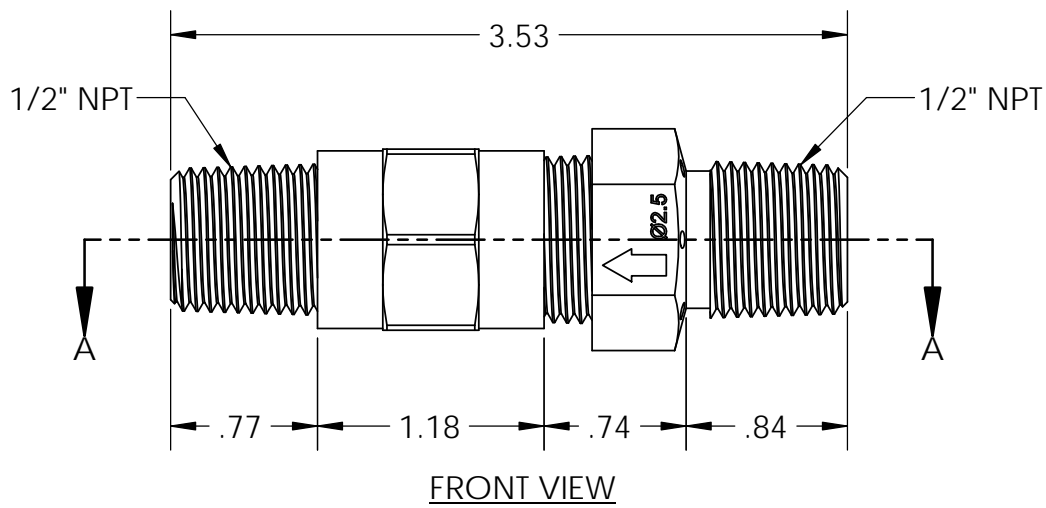
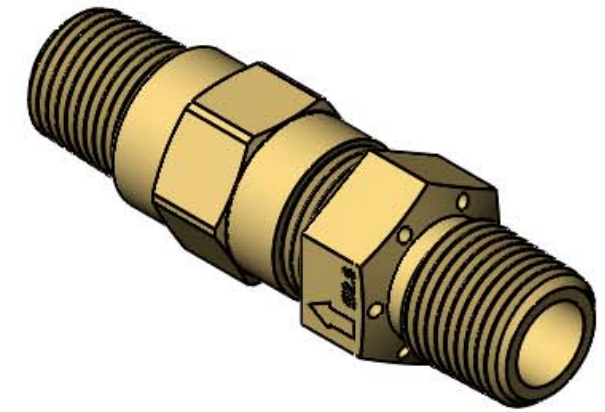
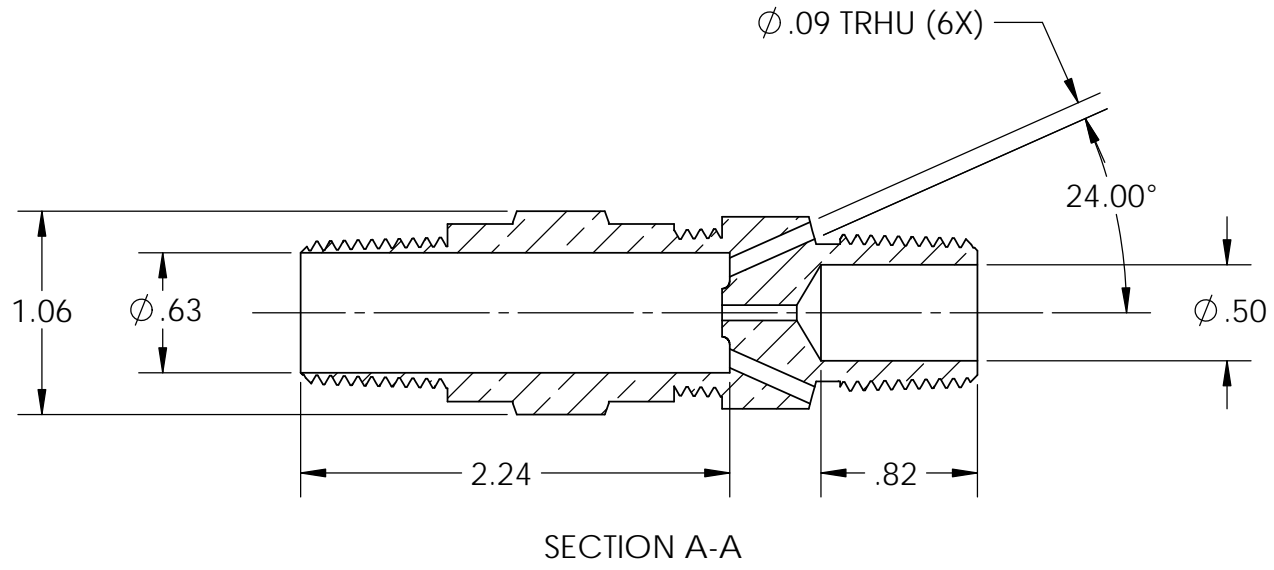


4

3

2

1



PROPRIETARY AND CONFIDENTIAL
 THE INFORMATION CONTAINED IN THIS DRAWING IS THE SOLE PROPERTY OF STARFIRE DIRECT. ANY REPRODUCTION IN PART OR AS A WHOLE WITHOUT THE WRITTEN PERMISSION OF STARFIRE DIRECT IS PROHIBITED.

		UNLESS OTHERWISE SPECIFIED:	NAME	DATE	TITLE:		
		DIMENSIONS ARE IN INCHES TOLERANCES: FRACTIONAL $\pm 1/8"$ ANGULAR: MACH \pm BEND \pm TWO PLACE DECIMAL \pm THREE PLACE DECIMAL \pm	DRAWN		STARFIRE AIR MIXER AM90		
		INTERPRET GEOMETRIC TOLERANCING PER:	CHECKED				
		MATERIAL	ENG APPR.				
		FINISH	MFG APPR.				
NEXT ASSY	USED ON	DO NOT SCALE DRAWING			SIZE	DWG. NO.	REV
APPLICATION					B	LP-Air-Mixer_SD-AM90	B
					SCALE: 1:1	WEIGHT:	SHEET 1 OF 1

4

3

2

1

B

B

A

A