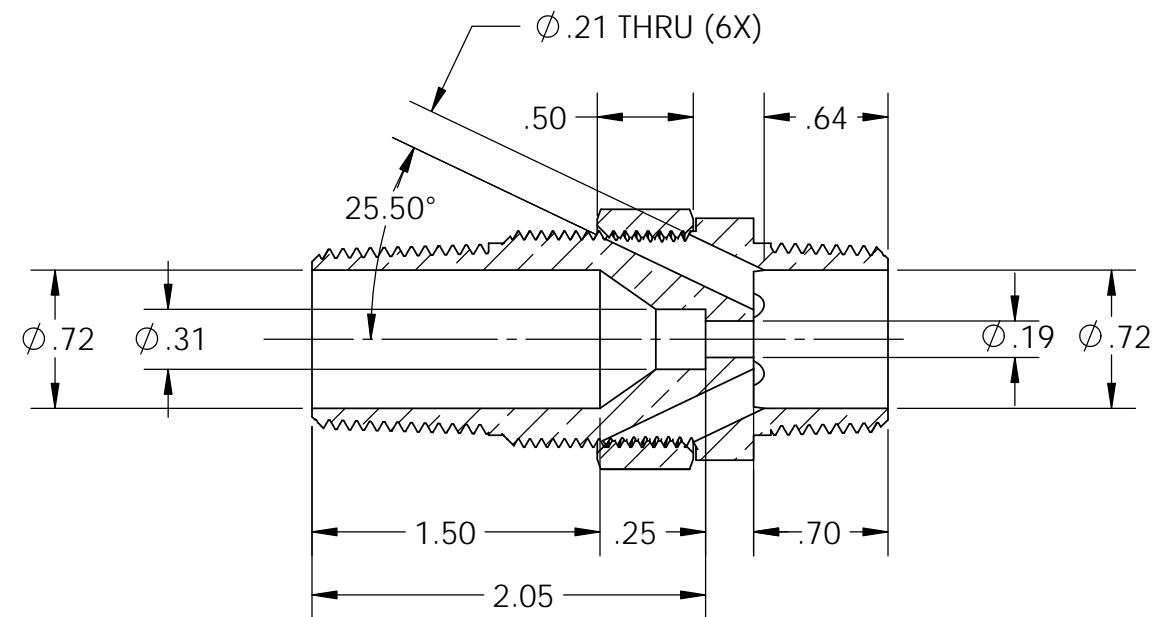


4

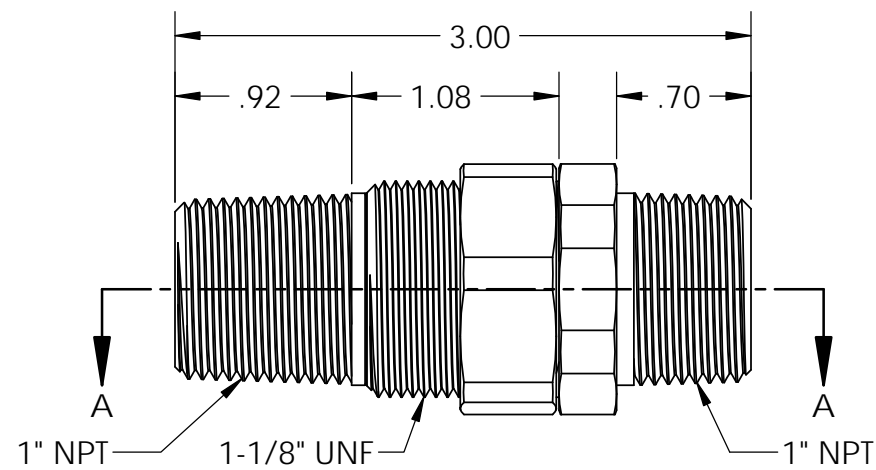
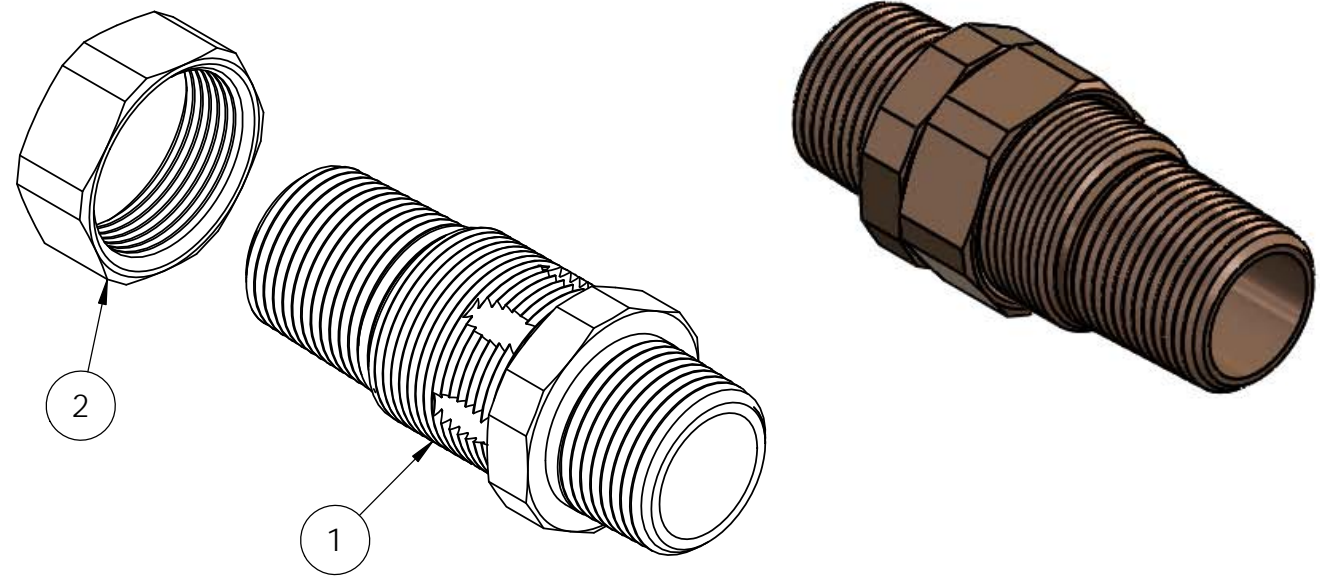
3

2

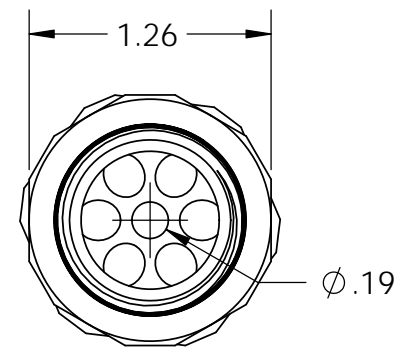
1



SECTION A-A



FRONT VIEW



RIGHT VIEW

2	1	-	AIR MIXER, LOCK NUT
1	1	-	AIR MIXER, MAIN BODY
ITEM NO.	QTY.	PART NUMBER	DESCRIPTION

PROPRIETARY AND CONFIDENTIAL
 THE INFORMATION CONTAINED IN THIS DRAWING IS THE SOLE PROPERTY OF STARFIRE DIRECT. ANY REPRODUCTION IN PART OR AS A WHOLE WITHOUT THE WRITTEN PERMISSION OF STARFIRE DIRECT IS PROHIBITED.

UNLESS OTHERWISE SPECIFIED:		NAME	DATE	TITLE:	
DIMENSIONS ARE IN INCHES		DRAWN		STARFIRE AIR MIXER VALVE	
TOLERANCES:		CHECKED			
FRACTIONAL: ± 1/8"		ENG APPR.			
ANGULAR: MACH ± BEND ±		MFG APPR.			
TWO PLACE DECIMAL ±		Q.A.		SIZE	DWG. NO.
THREE PLACE DECIMAL ±				B	LP-Air-Mixer
INTERPRET GEOMETRIC TOLERANCING PER:				REV	A
MATERIAL				SCALE: 1:1	WEIGHT:
NEXT ASSY	USED ON			SHEET 1 OF 1	
APPLICATION		DO NOT SCALE DRAWING			

4

3

2

1