

Before you start assembly on your new product, please check to make sure you have all the components necessary to complete this assembly.

Included Parts

1. Decorative Valve Flange
2. 1/2" Gas Valve
3. Valve Key

Additional Parts & Tools

(Not Included)

- 1B. Pipe Joint Compound or Teflon Tape
2B. Hard Pipe, Hose or Fittings

WARNING

- Improper installation or alterations not specified in these instructions can cause injury or property damage. Read instructions CAREFULLY before installing or servicing this equipment.

- To avoid serious injury, gas sources must be shut off prior to installation.

- It is always recommended that a licensed professional be the one to install ANY parts or products.

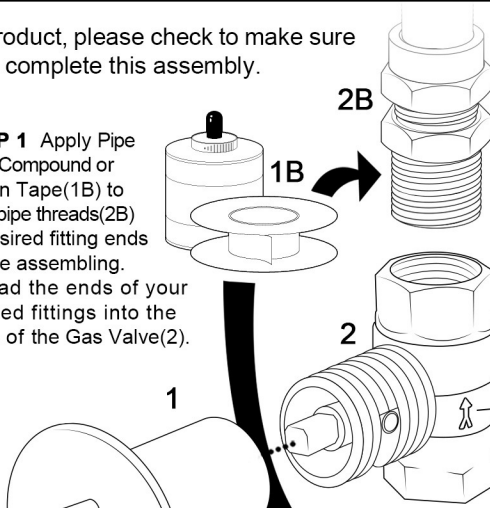
- For outdoor use only.

This kit contains items that have been tested and certified by these agencies.



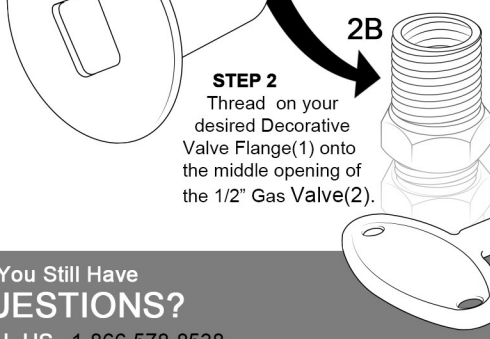
STEP 1 Apply Pipe Joint Compound or Teflon Tape(1B) to hard pipe threads(2B) or desired fitting ends before assembling.

Thread the ends of your desired fittings into the ends of the Gas Valve(2).



IMPORTANT!
The arrow direction represents the direction of gas flow.

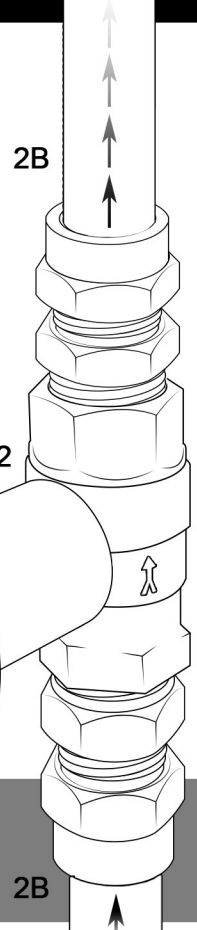
STEP 2
Thread on your desired Decorative Valve Flange(1) onto the middle opening of the 1/2" Gas Valve(2).



COMPLETED ASSEMBLY

Your Gas Key Valve setup should look like the example to the right.

Make sure all fittings and parts are tightly threaded together so as to not let gas escape.



Do You Still Have QUESTIONS?

CALL US 1-866-578-8538

EMAIL US info@starfiredirect.com

Before you start assembly on your new product, please check to make sure you have all the components necessary to complete this assembly.

Included Parts

1. Decorative Valve Flange
2. 1/2" Gas Valve
3. Valve Key

Additional Parts & Tools

(Not Included)

- 1B. Pipe Joint Compound or Teflon Tape
2B. Hard Pipe, Hose or Fittings

WARNING

- Improper installation or alterations not specified in these instructions can cause injury or property damage. Read instructions CAREFULLY before installing or servicing this equipment.

- To avoid serious injury, gas sources must be shut off prior to installation.

- It is always recommended that a licensed professional be the one to install ANY parts or products.

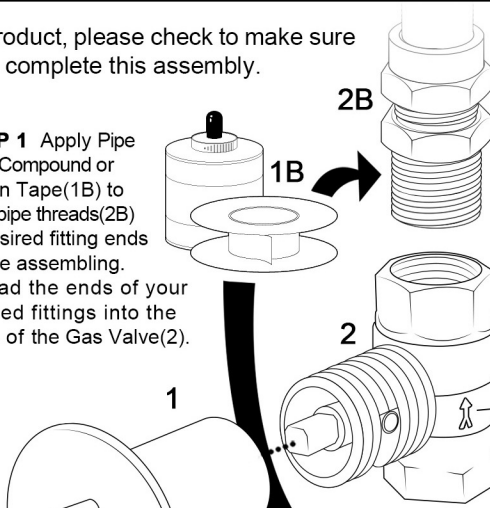
- For outdoor use only.

This kit contains items that have been tested and certified by these agencies.



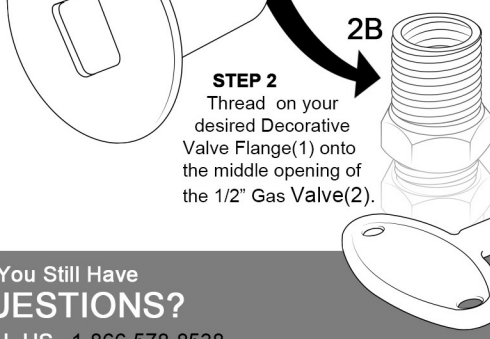
STEP 1 Apply Pipe Joint Compound or Teflon Tape(1B) to hard pipe threads(2B) or desired fitting ends before assembling.

Thread the ends of your desired fittings into the ends of the Gas Valve(2).



IMPORTANT!
The arrow direction represents the direction of gas flow.

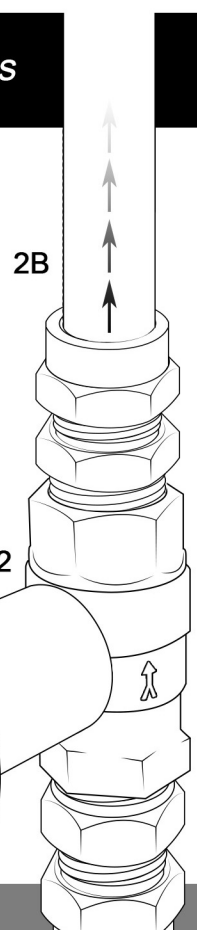
STEP 2
Thread on your desired Decorative Valve Flange(1) onto the middle opening of the 1/2" Gas Valve(2).



COMPLETED ASSEMBLY

Your Gas Key Valve setup should look like the example to the right.

Make sure all fittings and parts are tightly threaded together so as to not let gas escape.



Do You Still Have QUESTIONS?

CALL US 1-866-578-8538

EMAIL US info@starfiredirect.com