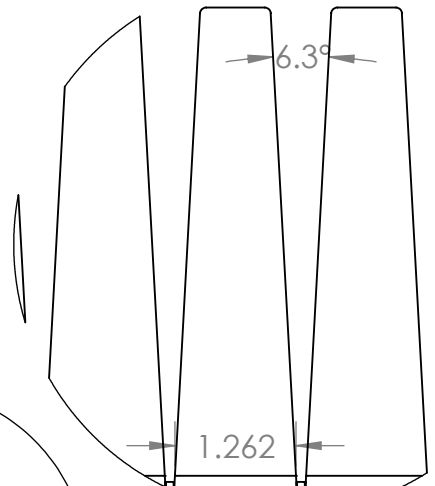
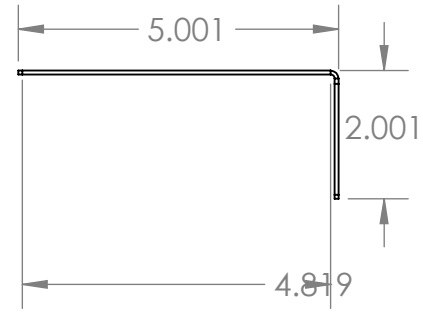
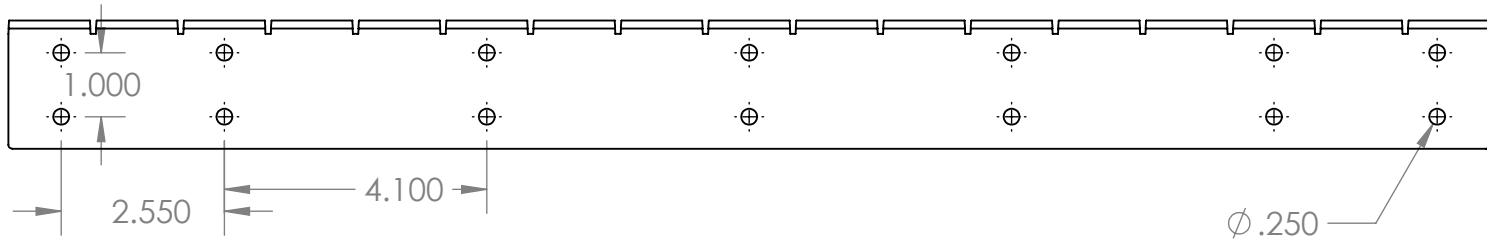


B. B. Why

09/16/21



DETAIL B
SCALE 1 : 2



SCALE: 1:3	SIZE: A	DWG. NO.	REV
MATERIAL: 16 GA GALV.	DATE: 9/15/2021	LC-SD-10221-01	SHEET 1 OF 1

5

4

3

2

1