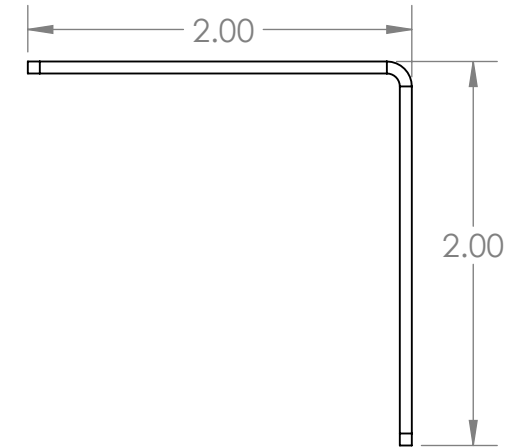
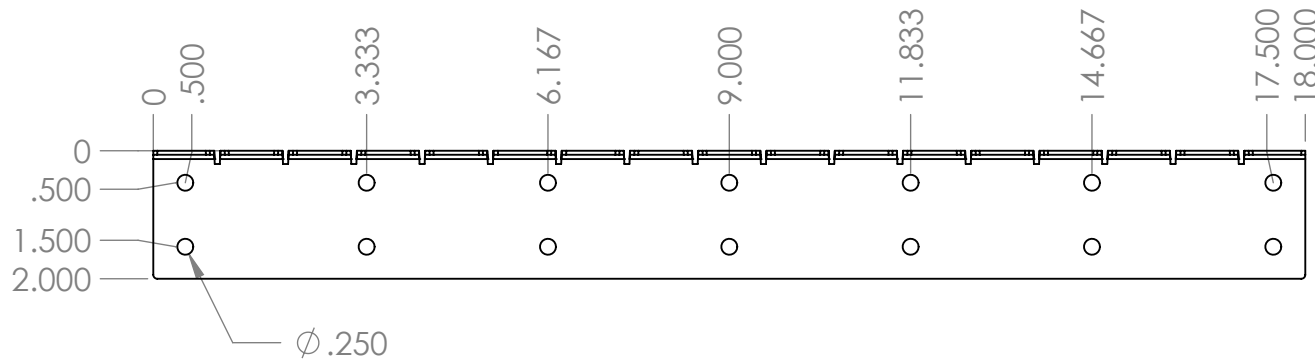


DETAIL A
SCALE 1 : 1



SCALE 1:1

<p>PROPRIETARY AND CONFIDENTIAL</p> <p>THE INFORMATION CONTAINED IN THIS DRAWING IS THE SOLE PROPERTY OF STARFIRE DIRECT. ANY REPRODUCTION IN PART OR AS A WHOLE WITHOUT THE WRITTEN PERMISSION OF STARFIRE DIRECT IS PROHIBITED. AND PUNISHABLE BY LAW</p>	<p>UNLESS OTHERWISE SPECIFIED: DIMENSIONS ARE IN INCHES TOLERANCES: FRACTIONS, DECIMALS, ANGLES .XX = ±.010 .XXX = ±.005 .XXXX = ±.001</p>	<p>TITLE: FORMFIT-LEDGE-18</p>	<p>Starfire Direct 42168 Remington Ave, Temecula, CA 92590 866-578-8538</p>		
	<p>NAME:</p>	<p>DESC.</p>	<p>SCALE: 1:3</p>	<p>SIZE: A</p>	<p>DWG. NO. FORMFIT-LEDGE-18</p>
<p>DO NOT SCALE DRAWING</p>	<p>FINISH</p>	<p>QUANTITY:</p>	<p>DATE: 8/3/16</p>		