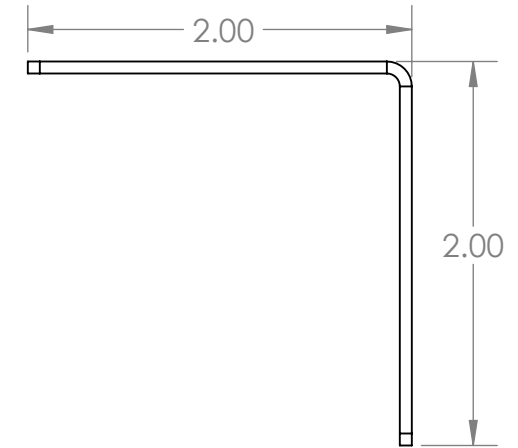
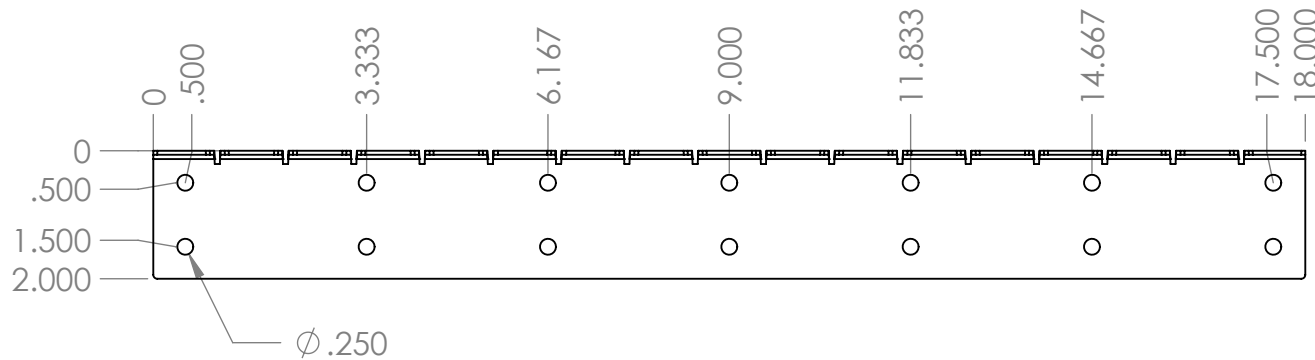


DETAIL A  
SCALE 1 : 1



SCALE 1:1

UNLESS OTHERWISE SPECIFIED:  
DIMENSIONS ARE IN INCHES  
TOLERANCES:  
FRACTIONS, DECIMALS, ANGLES  
.XX = ±.010  
.XXX = ±.005  
.XXXX = ±.001

TITLE: LC-SD-2106-01

NAME: *MATT MORRISON*

**LATEST CONCEPTS INC.**  
26372 DEERE CT, SUITE A MURRIETA CA. 92562  
(951) 696-5900 x307

**PROPRIETARY AND CONFIDENTIAL**  
THE INFORMATION CONTAINED IN THIS DRAWING IS THE SOLE PROPERTY OF LATEST CONCEPTS INC. ANY REPRODUCTION IN PART OR AS A WHOLE WITHOUT THE WRITTEN PERMISSION OF LATEST CONCEPTS INC. IS PROHIBITED. AND PUNISHABLE BY LAW

DESC.		SCALE: 1:3	SIZE: <b>A</b>	DWG. NQC-SD-2106-01	REV
DO NOT SCALE DRAWING	FINISH	QUANTITY:		DATE: 8/3/16	