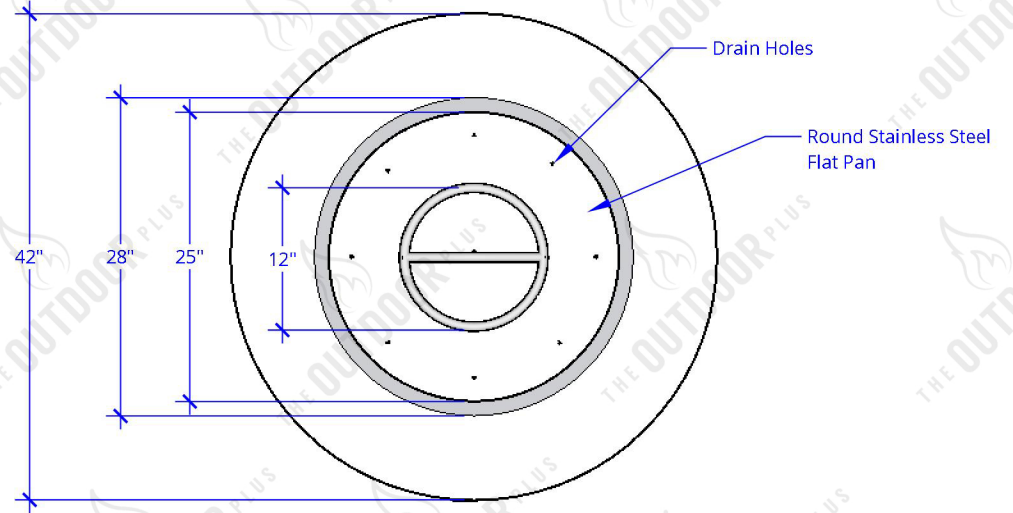
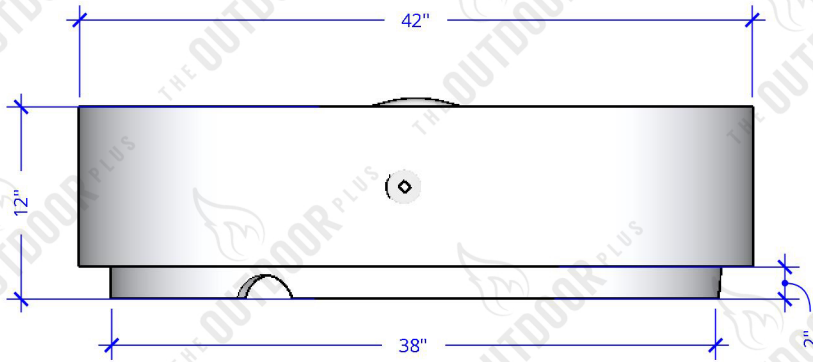


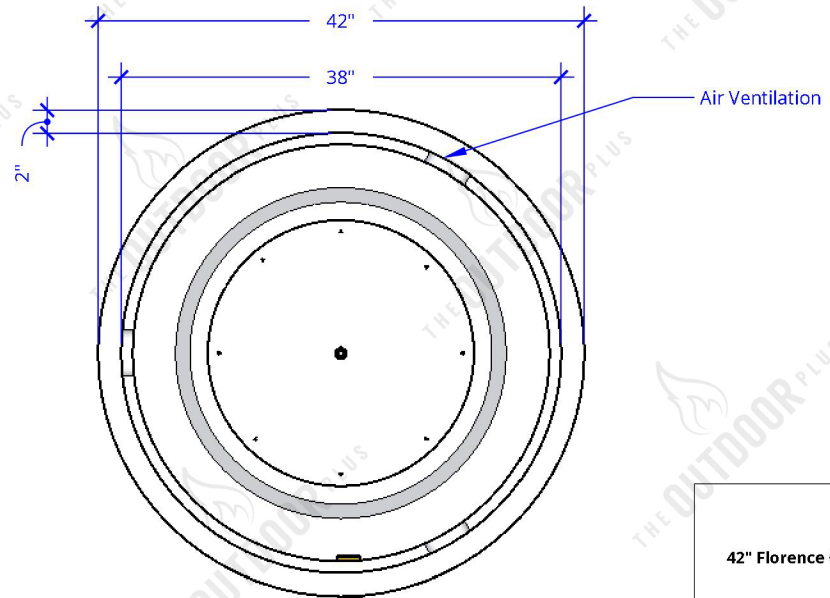
ISOMETRIC VIEW



TOP VIEW

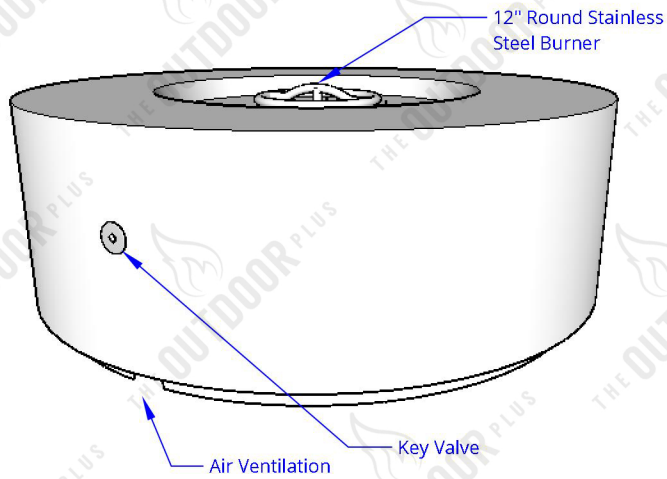


FRONT VIEW

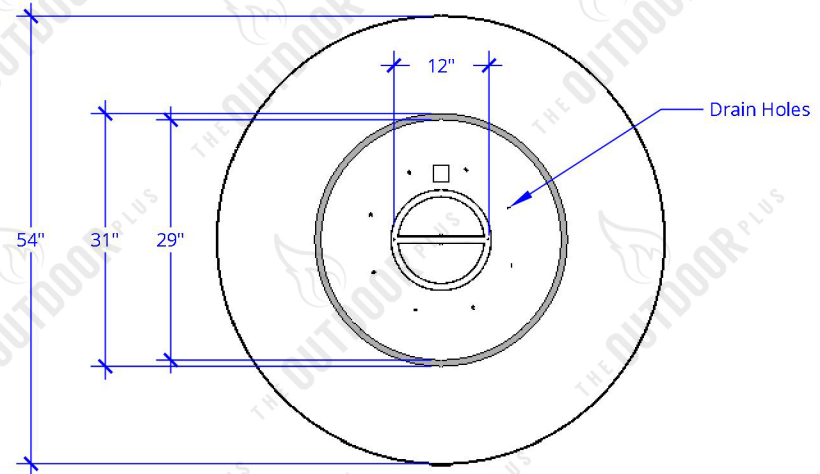


BOTTOM VIEW

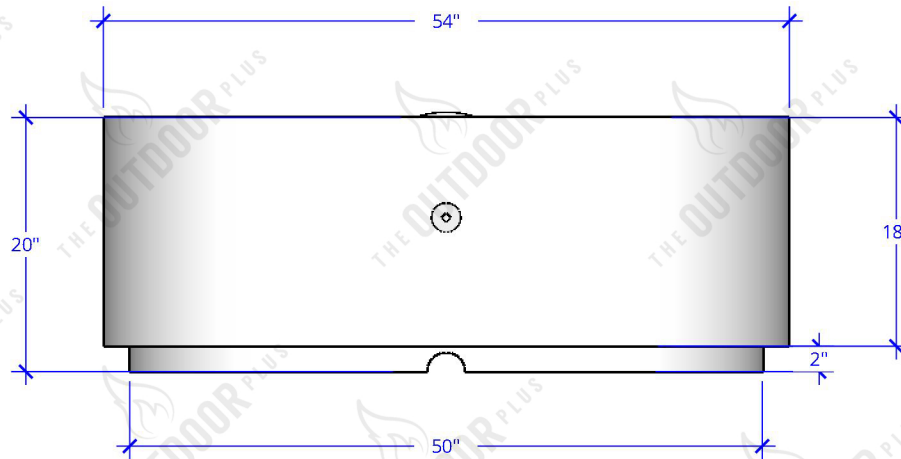
42" Florence Concrete Fire Pit - Match Lit	
SKU	OPT-FL42
Material	GFRC Concrete
Finish	18 Color Options
Gas Type	NG or LP
Weight	APPROX. 315 LBS.
BTUs	APPROX. 65,000
Sugg. Fire Glass	APPROX. 50 LBS.



ISOMETRIC VIEW



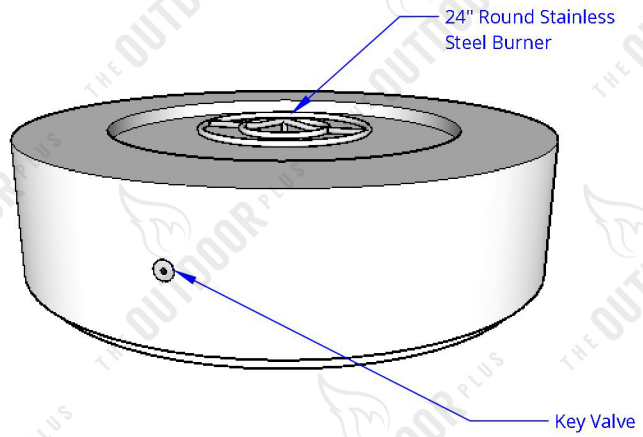
TOP VIEW



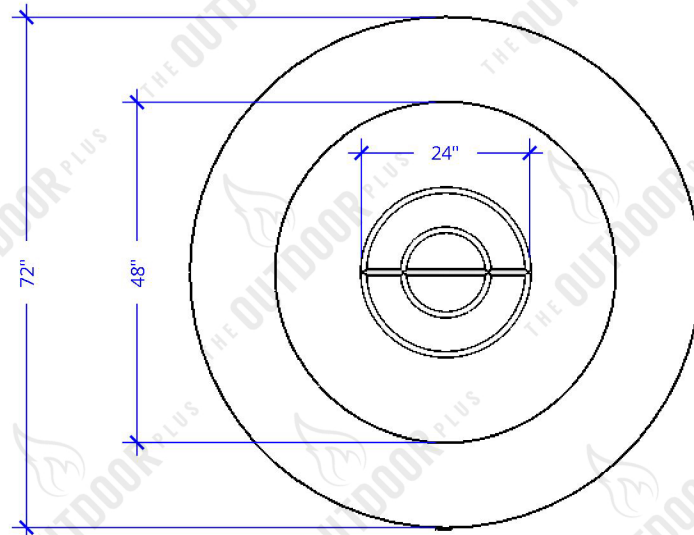
FRONT VIEW

RIGHT VIEW

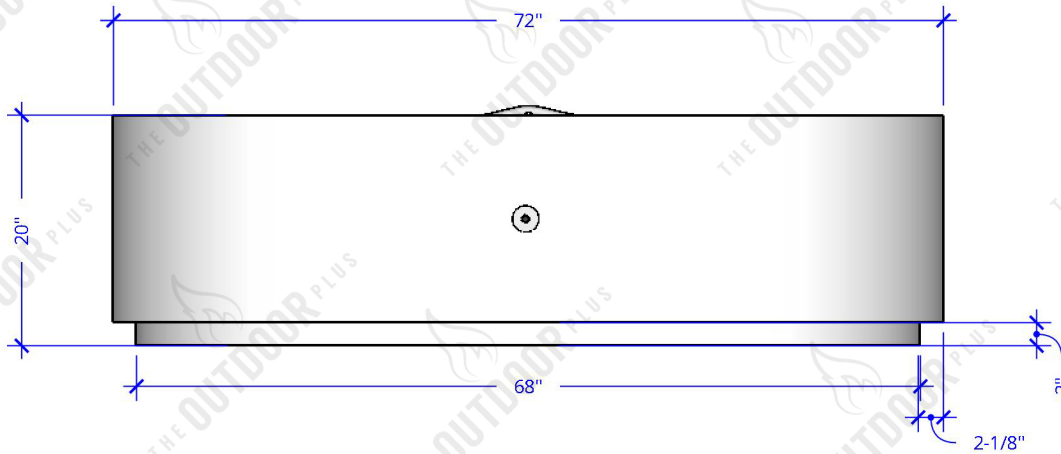
Florence 54" Concrete Fire Pit - Match Lit	
SKU	OPT-FL54
Material	GFRC
Finish	18 Color Options
Gas Type	NG or LP
Weight	APPROX. 500 LBS.
BTUs	65,000
Sugg. Fire Glass	APPROX. 100 LBS.



ISOMETRIC VIEW



TOP VIEW



FRONT VIEW

72" Florence GFRC Fire Pit - Match Lit	
SKU	OPT-FL72
Material	GFRC
Finish	18 Color Options
Gas Type	NG or LP
Weight	APPROX. 675 LBS.
BTUs	65,000
Sugg. Fire Glass	100 LBS.

Florence 72" EKIT
Page Number: 1 of 1
Author: Bryant Uribe
Approved By: Gabriel Estrada

SKU	Pan Size	Burner Size	Hub	BTUs	Material	Weight
OPT-FL72EKIT	48" D	36" Round	1/2"	65,000	GFRC	675 LBS.

