



FIM s.r.l.
Via Biandrate 11
I-28060 S. Pietro Mosezzo (NO) - ITALIA
Tel.:+39-0321468433 Fax.:+39-032153201
e-mail: info@fim-umbrellas.com
www.fim-umbrellas.com

FLEXY ZEN

ASSEMBLY INSTRUCTIONS AND USAGE TIPS

FIRST OF ALL, READ THIS MANUAL

These instructions must be delivered to the end user of the product, who has to read and keep them.

These instructions are provided to allow easy installation of the FLEXY ZEN and for Your safety. It is necessary that you follow precisely the instructions provided.

If not, you may cause damage to property or injury to persons. If in doubt always consult a technically proficient person.

Δ This symbol indicates very important information. Pay close attention to what is reported where this symbol appears. This does not mean that the other information contained in this manual are not important.

Keep this manual for future use.

IMPORTANT SAFETY INSTRUCTIONS

Δ ALL INFORMATION IN THIS SECTION ARE VERY IMPORTANT

1. INSTRUCTIONS

Read and follow all instructions in full. there is a single manual that covers all the various possible combinations of the FLEXY ZEN.

If the FLEXY ZEN is not installed and used according to the instructions, it could be cause of damage or injury.

To ensure safe use it is very important that anyone who uses the FLEXY ZEN has previously read all the instructions.

Do not let use the FLEXY ZEN by anyone who is unfamiliar with aspects concerning the safety of the FLEXY ZEN.

2. PRECAUTIONS

The FLEXY ZEN is primarily a protection against the sun, it is not a protection against extreme weather. It must be closed and protected with its cover in case of strong wind or storms, as well as in the presence of intense rain or snow (danger of pockets).

Always close the FLEXY ZEN and apply the protective cover whenever you can not control.

Each base must be ballasted with a minimum weight of **350 kg (≈770 libbre).**



FIM s.r.l.
Via Biandrate 11
I-28060 S. Pietro Mosezzo (NO) - ITALIA
Tel.:+39-0321468433 Fax.:+39-032153201
e-mail: info@fim-umbrellas.com
www.fim-umbrellas.com

ASSEMBLY INSTRUCTIONS

ELEMENTS (Fig. 1, 2):

(Fig. 1) Elements of cover : **sliding shade (A)**, **protective cover (B)**, **2 long crossbars (C)**, **2 short crossbars (D)**, **junctions (R) and (R')** with the **handle (S)**.

(Fig. 2) **Pair of lateral poles (E-E')**

(Fig. 2) **Opening rod (I)**

(Fig. 2) No. 2 bases contained on two pallets with the following components: No. 1 **Baseplate hot dip galvanized steel (L)**, No. 5 **Ballasts hot dip galvanized steel (L')**, No. 1 **aluminum Cover (L'')** and a **tool bag (H)** (No. 16 feet for bases (e), No. 16 screws for lateral poles (M10x40 Button head) (e'), No. 6 screws for ballasts (Allen key M10 x60) (e''), **Set of Allen keys**).

ASSEMBLY AND POSITIONING OF BASES (Fig. 3, 4)

1. Remove the contents from the **tool bag (H)**
2. (Fig. 3) **Screw on each Baseplate hot dip galvanized steel (L) 8 Adjustable feet (e)**
3. (Fig. 3) Arrange the two **Baseplate hot dip galvanized steel (L)** to a distance of **Y** (internal measure between the 2 bases)

MEASURE 488--Y= 490 cm

MEASURE 428--Y= 430 cm

MEASURE 369--Y= 371 cm

MEASURE 309--Y= 311 cm

MEASURE 309--Y= 251 cm

Δ CAUTION: verify that the bases are perfectly aligned, on horizontal plane and at the same height.

4. (Fig. 4) Place No. 5 **Ballasts of steel (L')** on each base as shown in figure and fix them with the screws (e''); then put the **iron Ballasts and place the aluminum Covers (L'')**.
5. (Fig. 4) Fix to the **Baseplates the vertical poles (E-E')**, using the screws (e'), **tighten them with the appropriate key.**

Δ CAUTION: Firmly tighten the screws.

POSITIONING OF BASES TO UNDERGROUND

For installation with cemented bases, see the Table. For installation, respect the orientation shown in the drawing.

INSERTION OF CROSSBARS IN THE SLIDING SHADE (Fig.5, 6, 6a, 6b, 6c, 7, 8, 9)

1. (Fig. 5) **Unscrew the 4 screws (Q) and join the two semi-crossbars (C) with the two semi-crossbars (D)**, then screw the 4 screws (Q).
2. (Fig. 6, 6 a) **Align the sliding carriages (P) and (P')** as shown in figure.
CAUTION: (Fig. 6 c) Put the crossbars (C) + (D) with the screws (Q) facing upwards.
3. (Fig. 6, 7) **Insert the crossbars inside the carriages (P) and (P')**
4. (Fig. 6b) **Unscrew the screws (m) from the block (M)**, making sure that the two belt edges **aren't twisted together**, fix the coupling belt (M') on the block (M) with screws (m) removed earlier.
5. (Fig.7, 7a) **Connect the junction (R) to the crossbars (C)+(D) and block the screws (Y) with the Allen key. From the junction (R) remove the handle (S), but not remove the spring (r).**
6. (Fig. 7, 7b) **Connect the junction (R) to the crossbars (C)+(D) and block the screws (Y) with the Allen key. From the junction (R) remove the handle (S), but not remove the spring (r).**
7. Once performed the above steps, you can assemble the shade on the poles, see next paragraph.

ASSEMBLY OF SLIDING SHADE ON POLES (Fig. 8, 8a, 8b, 9, 9A , 10)

Δ CAUTION: To avoid damaging the product, the operations must be performed simultaneously by two persons and with 2 stairs.

Important: Before lifting the shade to secure it to the poles, decide the direction of the opening.

1. (Fig.8) **Lift the full shade, make sure that the junctions (R) + (R')** and the **spring (r) are installed** as shown in the **8a figure**.
2. (Fig. 8a , 8 b) **Pair the 2 junctions (R) and (R')** with their respective poles and screw the **handle (S)**. Push the 2 **carriages (P')** against the **junction (R)**. Block the 2 **carriages (P')** so that the leg of the two **wheels (J)** fits into the holes of the crossbars (C)+(D).
3. (Fig. 9, Fig. 9A) **Unscrew the 4 screws (r'')** from the junction (R'). - Pull the belt-supporting (V) and insert it into the junction (R'), lock it by tightening the screws (r''). **Important: make sure that the belt is not twisted and that the holes of the belt-supporting (V) are aligned with the holes of the junction (R').**
4. (Fig.10) The Flexy Zen is now ready for use.



FIM s.r.l.

Via Biandrate 11
I-28060 S. Pietro Mosezzo (NO) - ITALIA
Tel.: +39-0321468433 Fax.: +39-032153201
e-mail: info@fim-umbrellas.com
www.fim-umbrellas.com

OPERATION OF FLEXY ZEN (Fig. 10, 11)

1. (Fig. 10) To use the Flexy Zen, insert the rod driving in the opening mechanism.
2. To change the inclination of the Flexy Zen, do the following:
(Fig. 11) **Unscrew almost totally the handle (S), on both sides, keeping the teeth of the junctions completely separate. Adjust the inclination. Screw the 2 handles (S) making sure that the teeth of the two junctions are perfectly paired.**

APPLICATION OF PROTECTIVE COVER

1. Close completely the sliding shade (A).
2. Apply the protective cover (B).

Δ CAUTION: Always close the FLEXY ZEN and apply the protective cover in case of strong wind or storms, as well as in the presence of intense rain or snow (danger of pockets) and whenever you can not control it.

APPLICATION OF LATERAL AWNING VALANCES FOR APPLICATION DUCT FLEXY MODULAR (Fig. 12, 13, 15B, 16, 16A)

In the application of the lateral awning valances, it is advisable to apply first the lateral awning valances

1. (Fig. 12) To apply the lateral awning valances, unscrew the screw (bb) with his button from the rib.
2. (Fig. 13, 14) Insert the circular part of the lateral awning valances, inside the aluminium profil. After this, replace the screw (bb) within each hole (tt) and put back on both sides of the ribs the screws (bb) with their button.

REMOVAL AND INSTALLATION OF THE COVER

(Fig. 12, 15, 16, 17, 18)

1. (Fig. 12) Remove, on both sides of the ribs, the screws (bb) with their button.
After removing the screws, hold the ends of the canvas and pull it outwards until it is removed completely from the ribs.
2. (Fig. 15, 16) To assemble, take the 2 sides of the panel inside the ribs. Then take the canvas with 2 hands and slide it over the entire length of the ribs.
3. (Fig. 17, 18) Insert screw (bb) within each hole (tt) and put back on both sides of the ribs the screws (bb) with their button.

MAINTENANCE AND CARE

CLEANING AND REASING THE TRAVERSE SLIDING CARRIAGES

Because of dust and dirt accumulation, the sliding action of the Flexy can become more difficult to operate in the course of time. It is essential for the sliding operation of the shade to keep clean and lubricated the crossbars.

Use a damp cloth with a mild detergent to clean the entire length of the crossbars from all the dirt.

After cleaning the crossbars, dry them with care.

Use a spray silicone lubricant on all sides of the crossbars and on the wheels of the carriages. Use a cloth to distribute the lubricant evenly on the sides of the crossbars and remove the excess. In this way your shade will return to open and close effortlessly.

CLEANING OF THE CANVAS

Clean manually the canvas with a soft cloth, warm water (about 30°C) and a common detergent for delicate fabrics. After abundant rinsing, the canvas must be dried. To ensure a longer life of the canvas, it is recommended to make it dry in the shade. For washing with industrial washing machines, remove the canvas from the structure and wash it with a mild detergent, choose a delicate program, rinse thoroughly; the water temperature must not exceed 40°C. Make dry the canvas outdoors, **do not use dryer** do not iron the canvas.

HOW TO STORE THE FLEXY ZEN AT THE END OF THE SEASON

To ensure a longer life of the product, it is recommended to disassemble and store it at the end of the season in a dry place. Before storing your FLEXY ZEN, clean the structure with a damp cloth and dry it. To clean the canvas, see previous paragraph.

Δ CAUTION: verify the integrity of all the components. If some parts are damaged, contact your dealer for ordering spare parts.

Touch up with paint the parts that might be ruined.

Lubricate lightly all moving parts with silicone spray.

Important: to prevent damage due to mold or oxidation never store FLEXY ZEN when it is wet or damp.

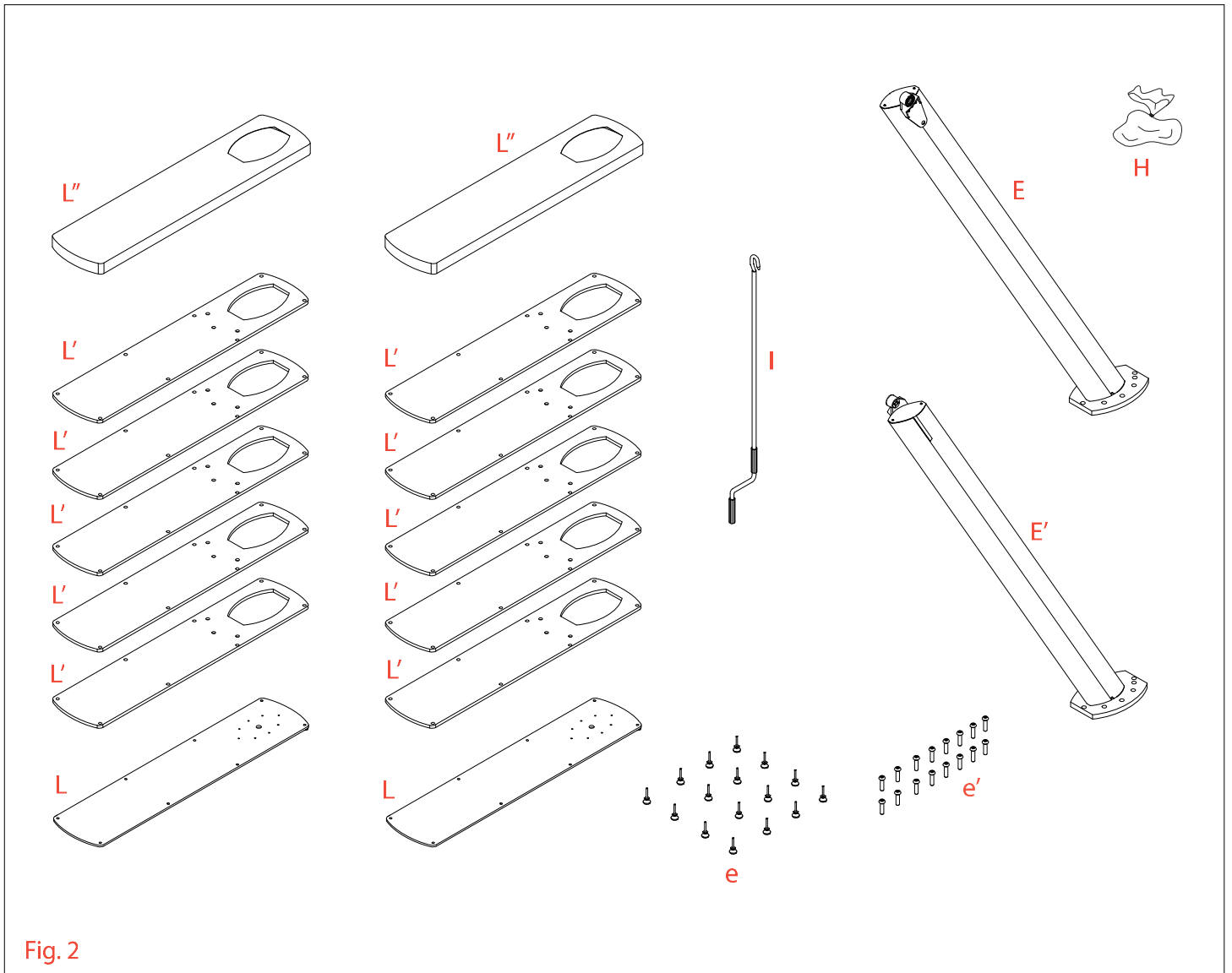
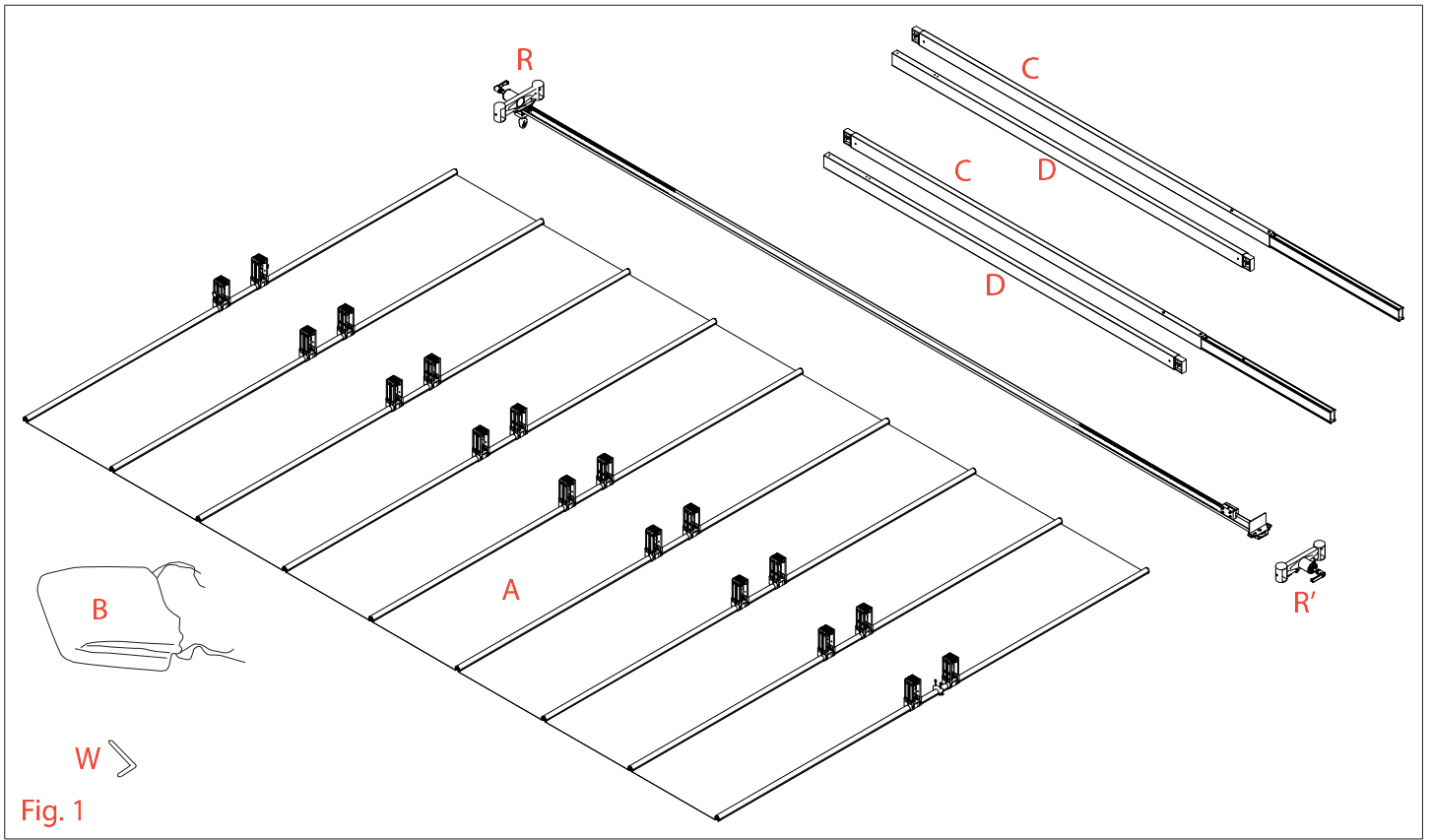
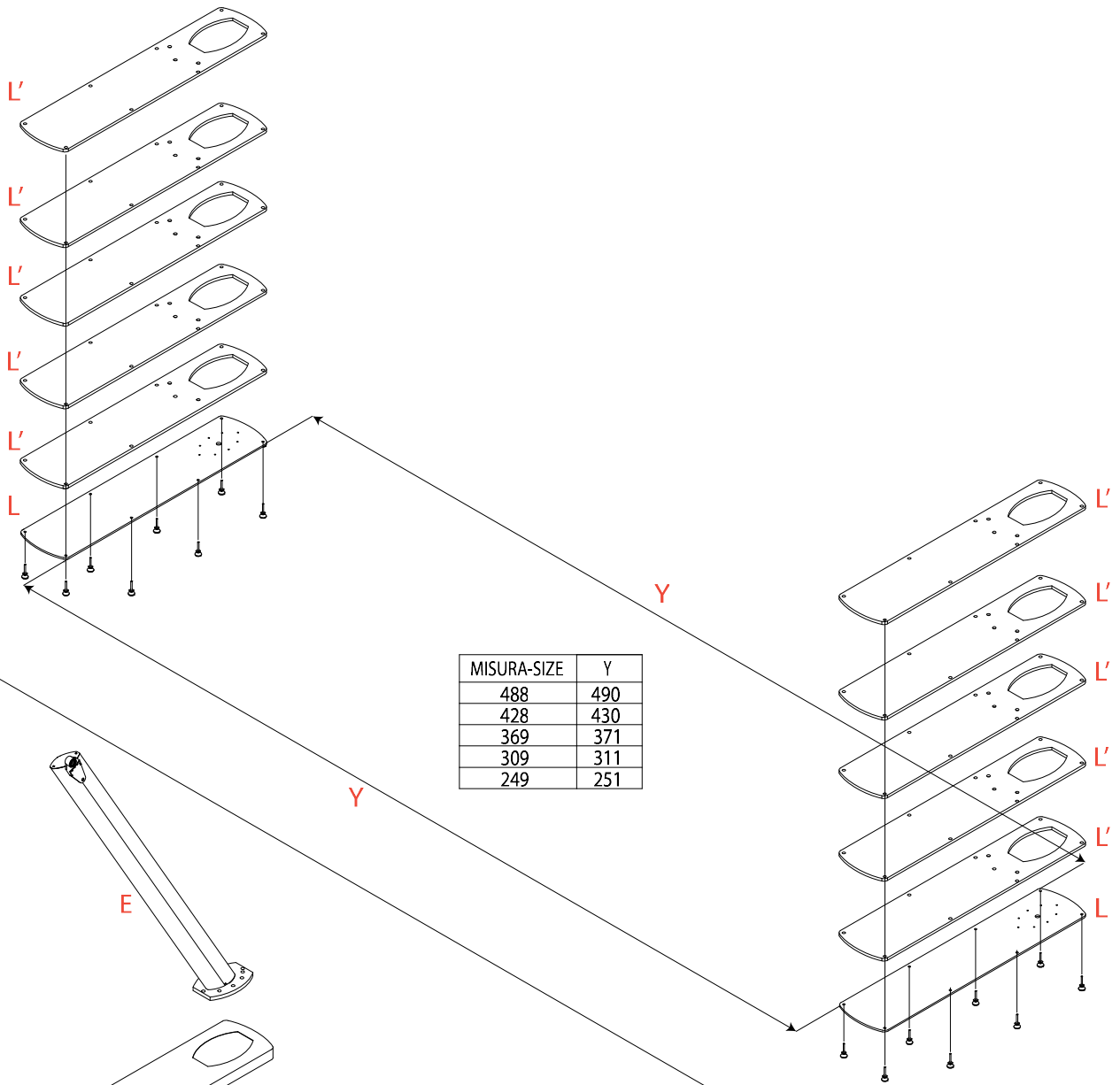


Fig. 3



MISURA-SIZE	Y
488	490
428	430
369	371
309	311
249	251

E

L''

e''

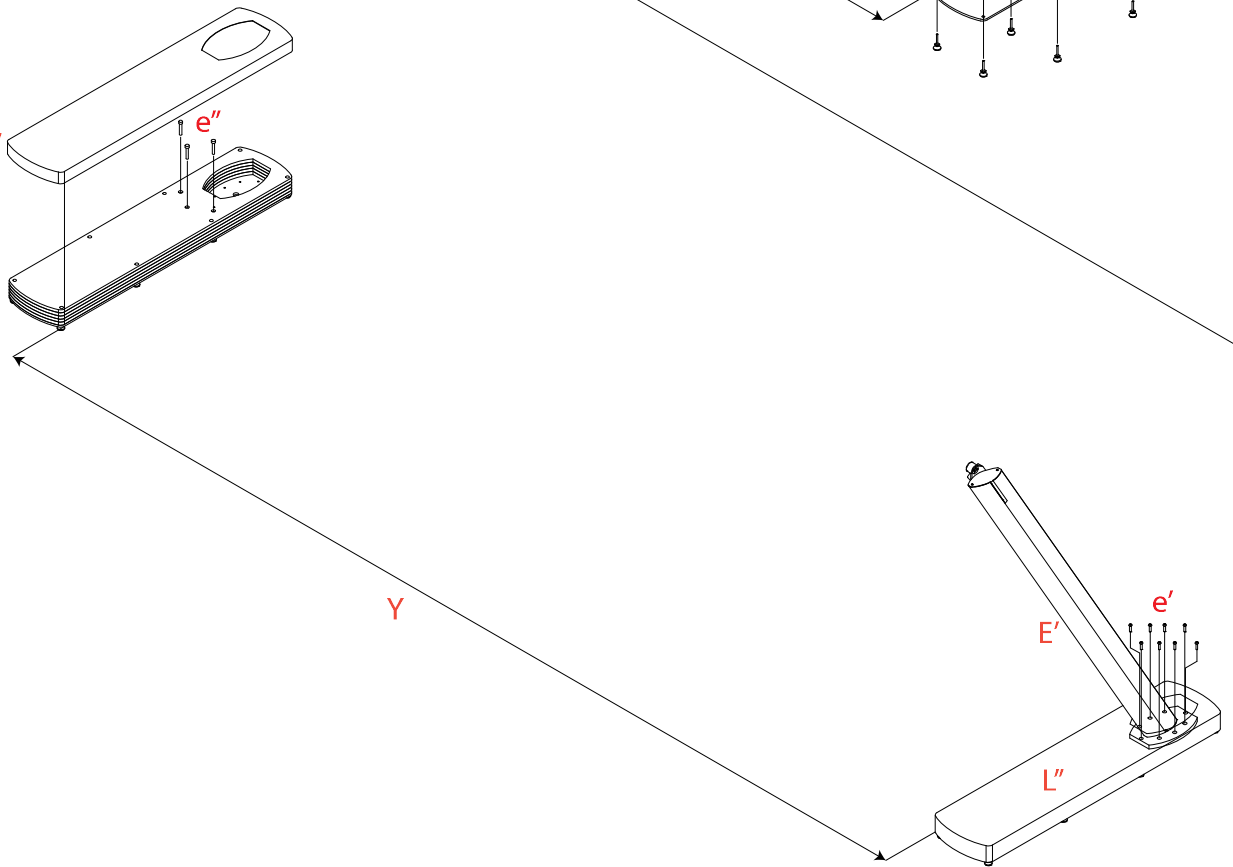
Y

E'

e'

L''

Fig. 4



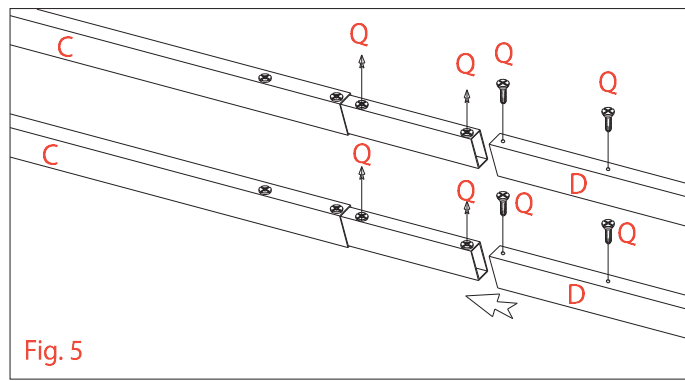


Fig. 5

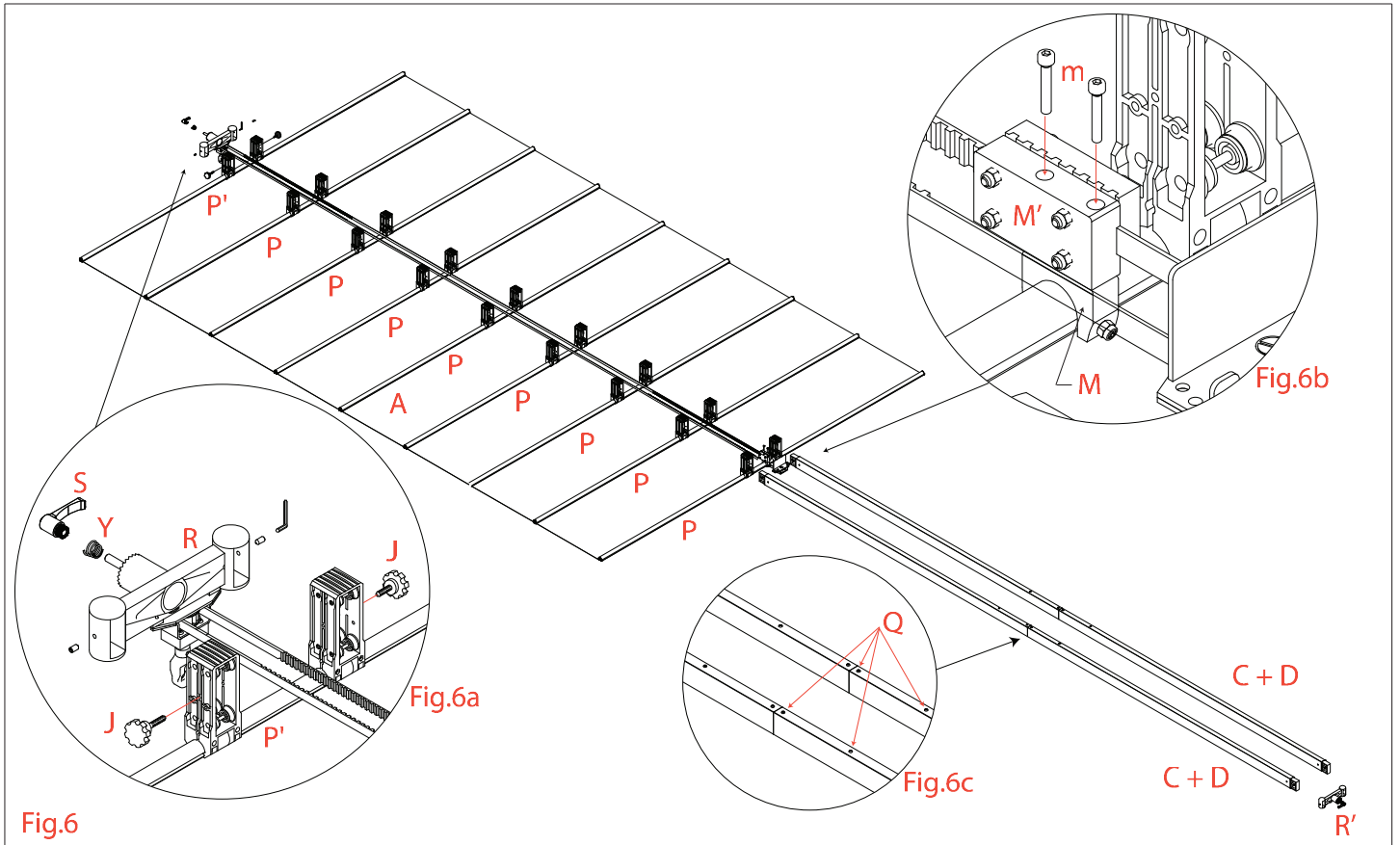


Fig. 6

Fig. 6a

Fig. 6b

Fig. 6c

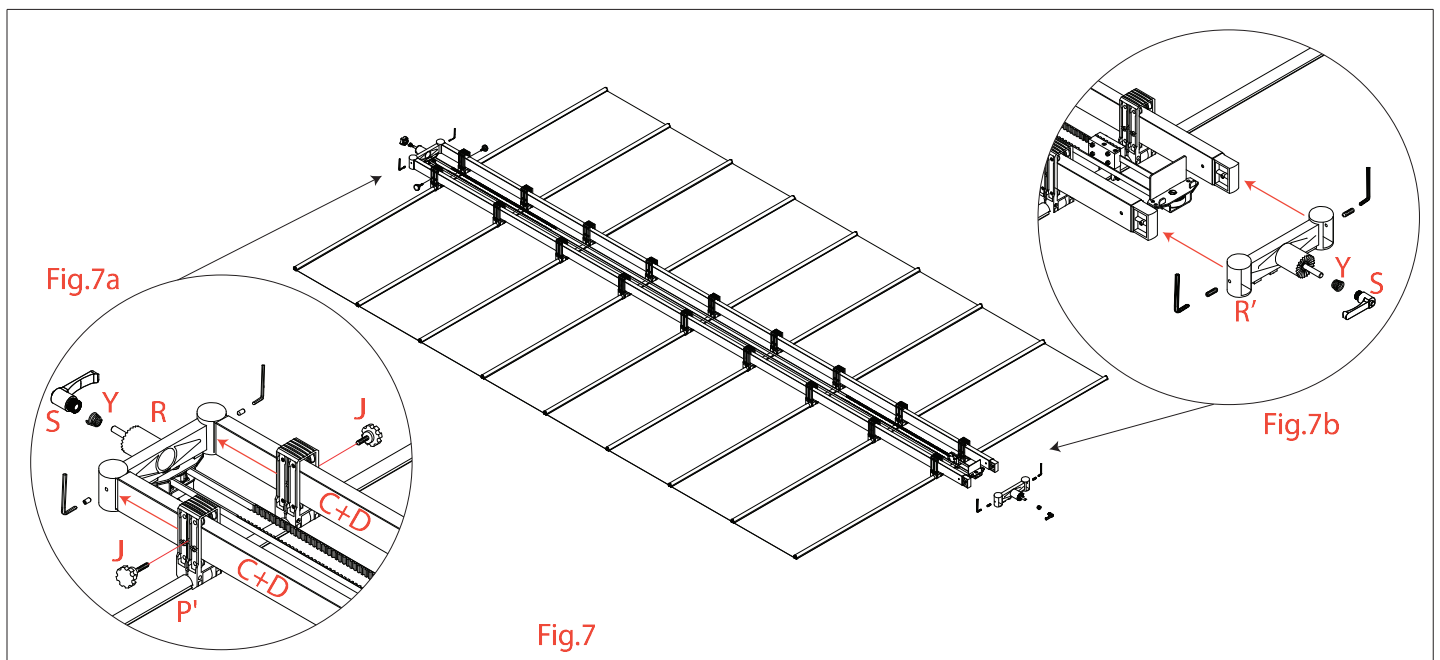


Fig. 7

Fig. 7a

Fig. 7b

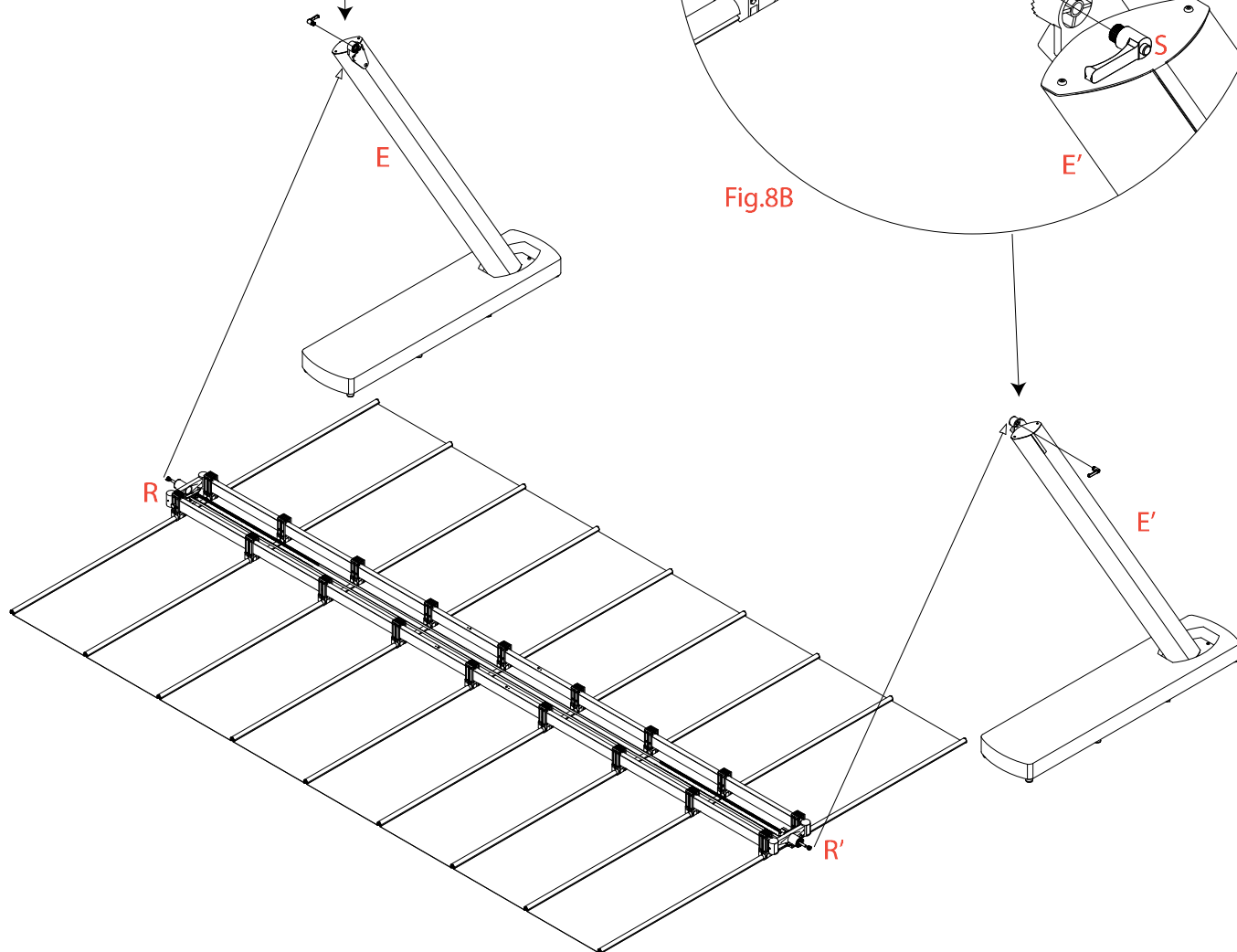
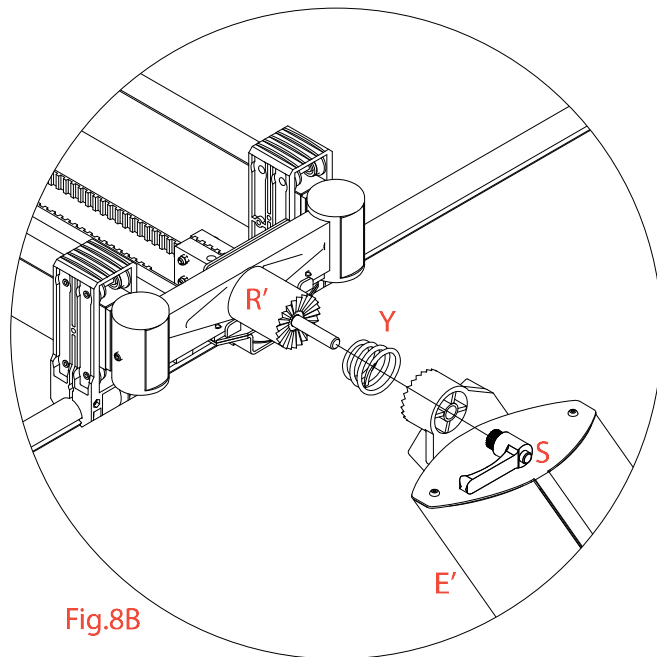
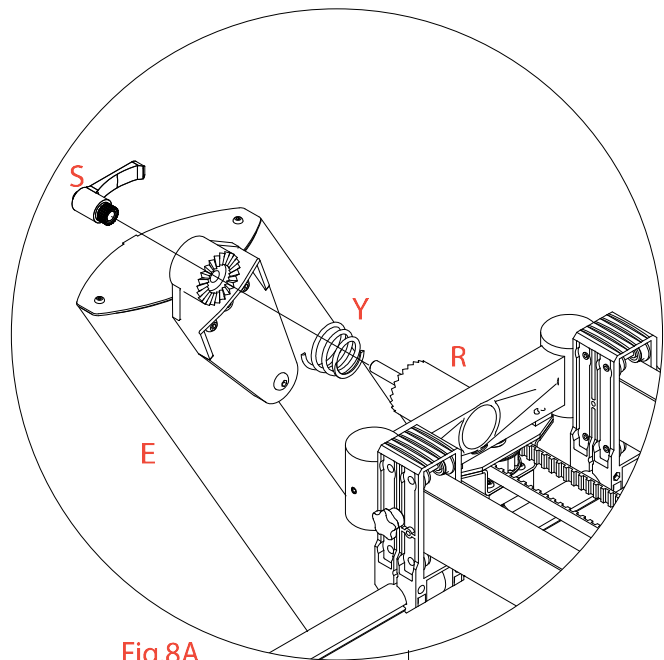
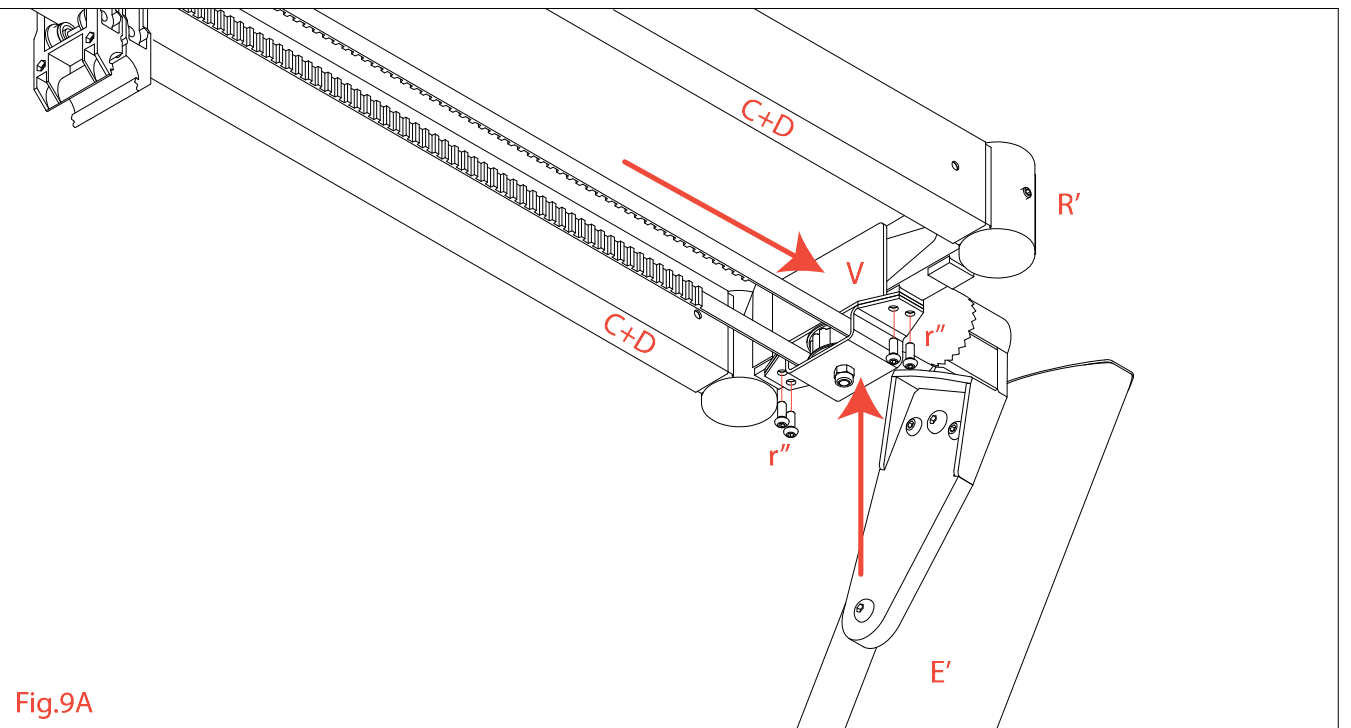
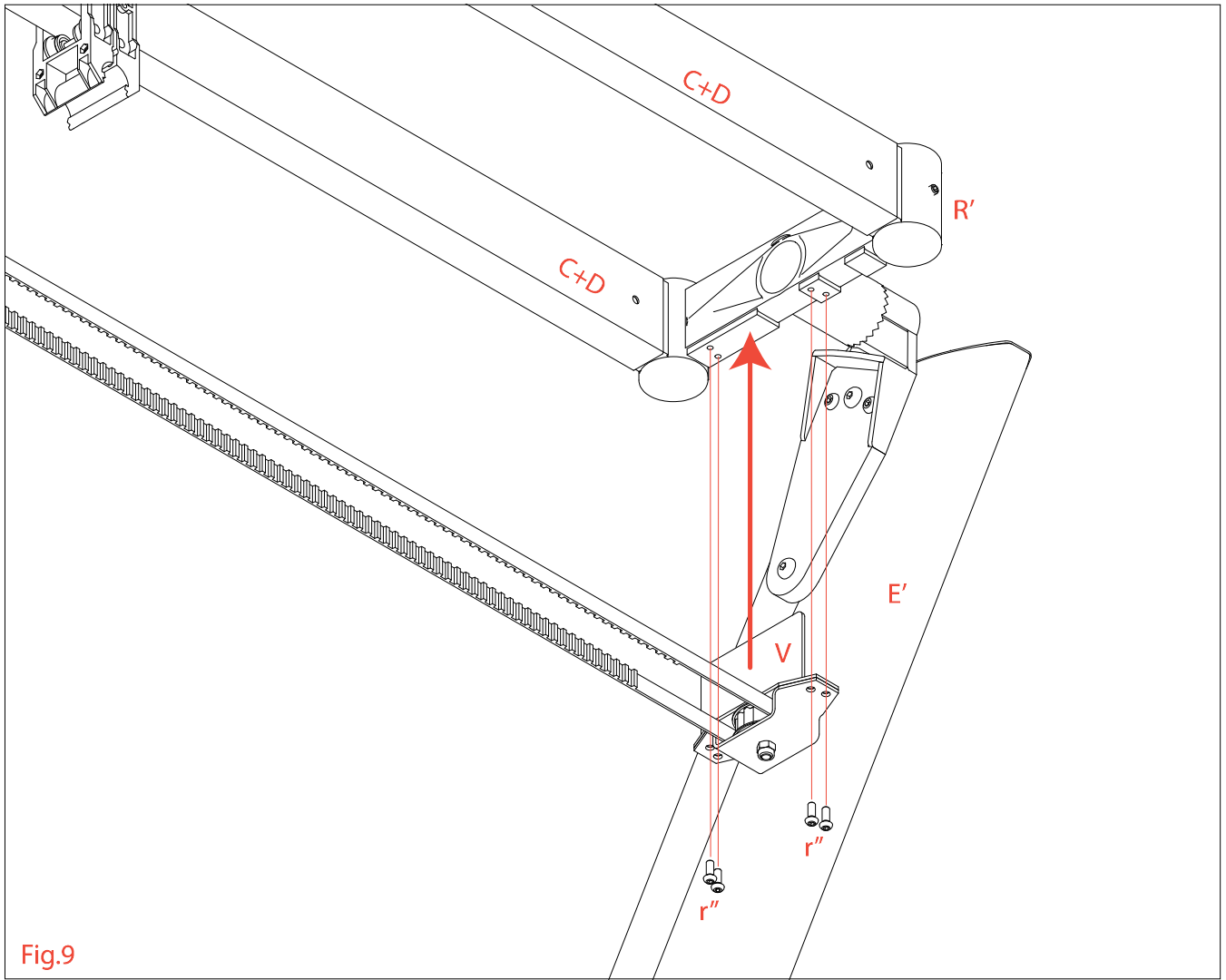


Fig.8



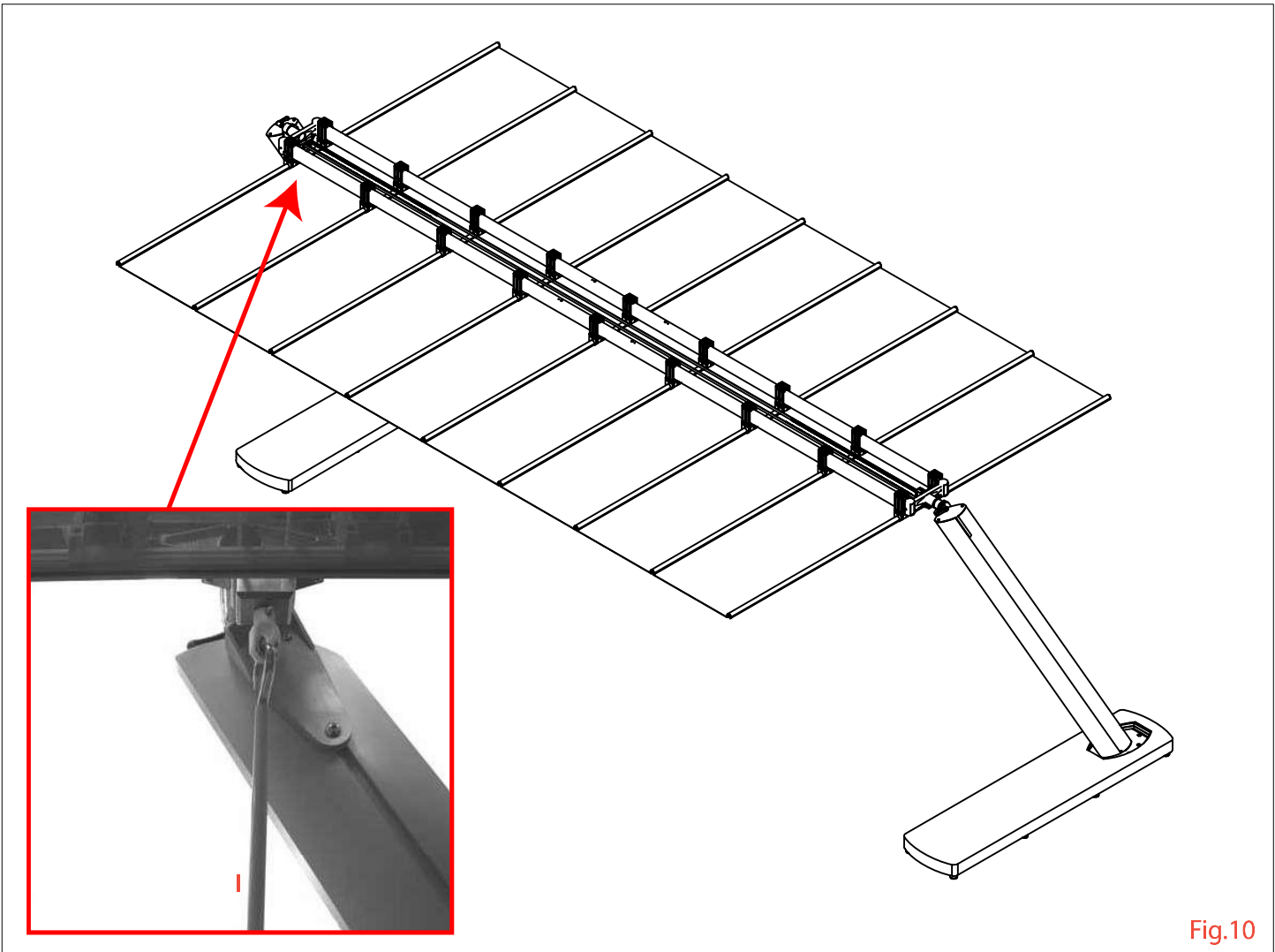


Fig.10

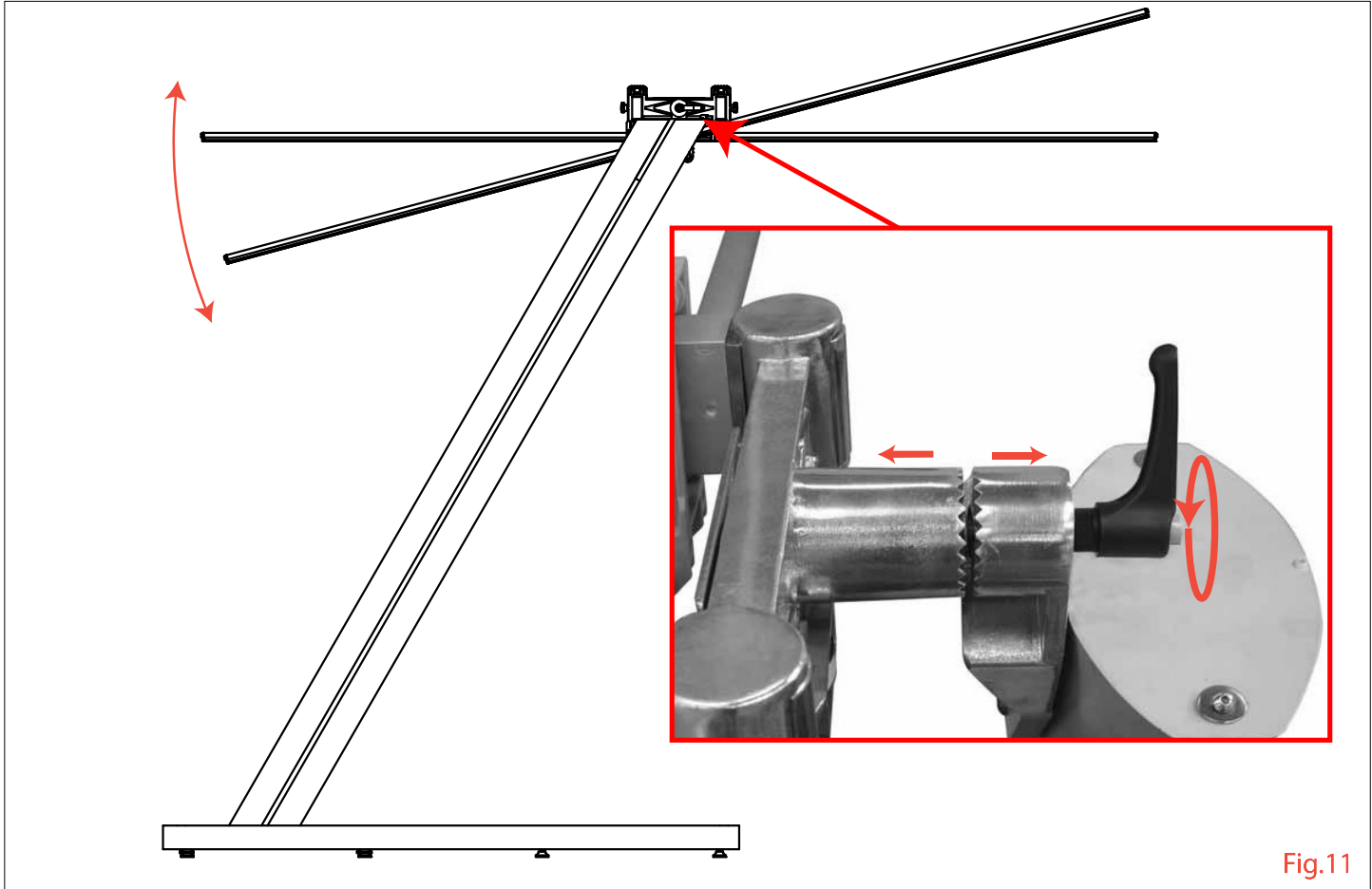


Fig.11



Fig. 12



Fig. 13



Fig. 14



Fig. 15



Fig. 16



Fig. 17

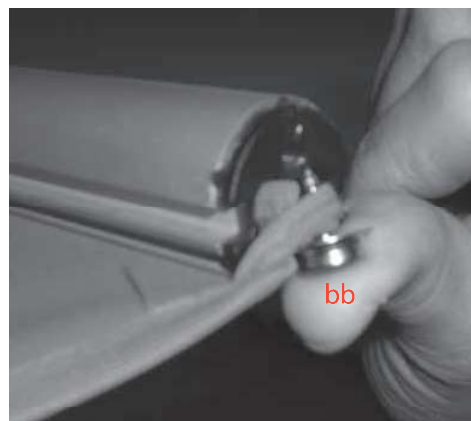


Fig. 18