

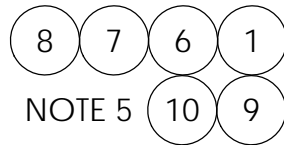
4

3

2

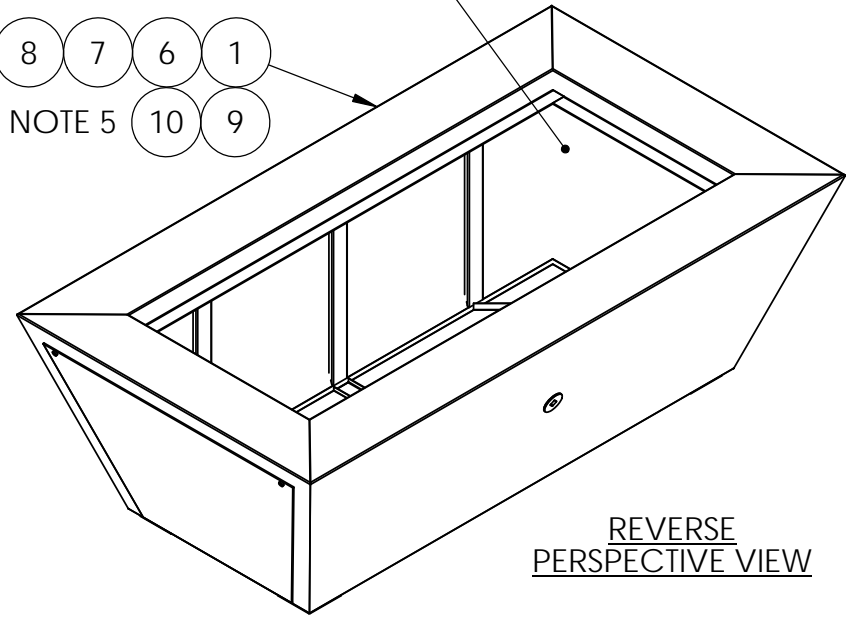
1

OPTIONAL BURNER SYSTEMS AVAILABLE (SEE NOTE 4)

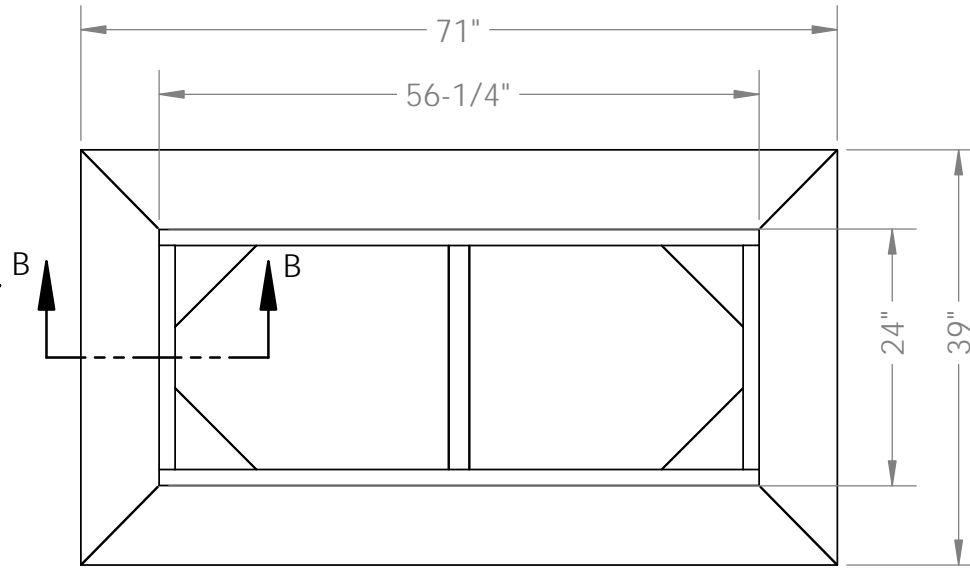


NOTE 5

B



REVERSE PERSPECTIVE VIEW



TOP VIEW

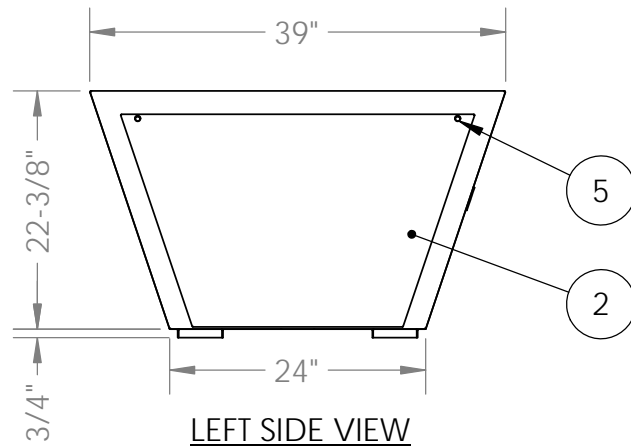


PERSPECTIVE VIEW

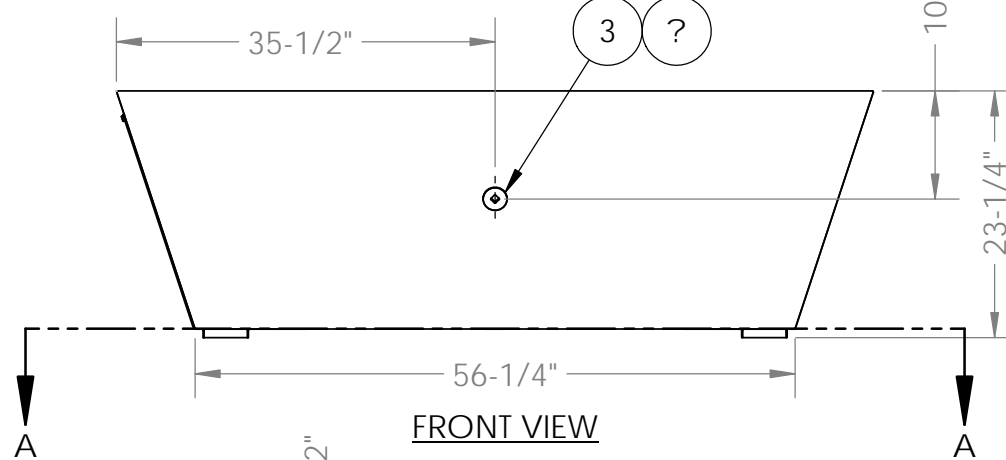
B

NOTES:

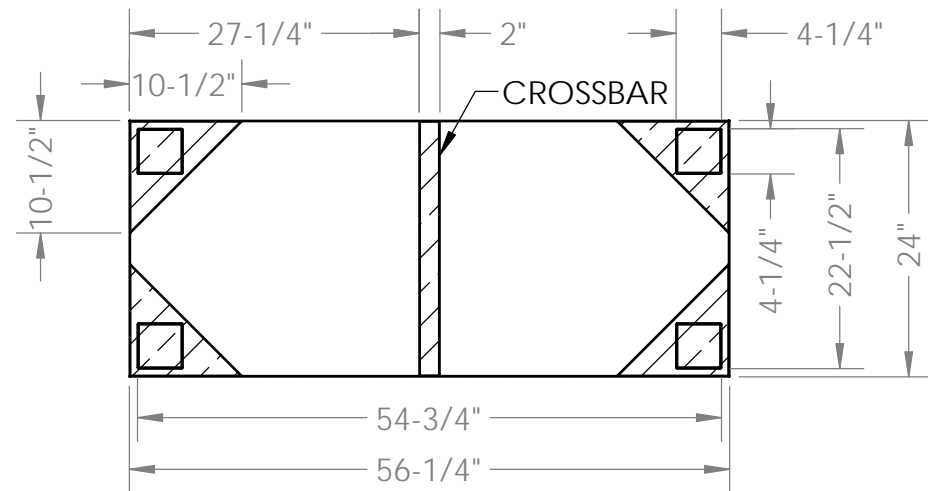
- 1. ALL DIMENSIONS ARE IN INCHES UNLESS OTHERWISE SPECIFIED.
- 2. MATERIAL: 20 OUNCE COPPER FINISHED WITH MACHINED HAMMER TEXTURE
- 3. UNIT WEIGHT: 85 LBS
- 4. IGNITION: ELECTRONIC IGNITION, MANUAL SPARK IGNITION, MATCH LIT IGNITION
- 5. SOME ITEMS ARE NOT SHOWN IN DRAWING VIEWS. SEE BILL OF MATERIALS FOR FULL PARTS LIST.



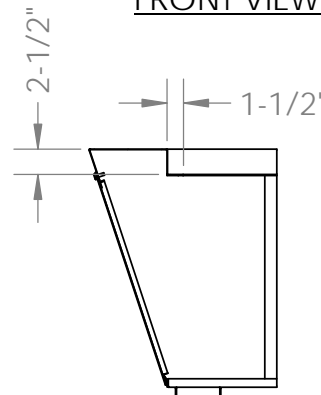
LEFT SIDE VIEW



FRONT VIEW



FOOTPRINT SECTION A-A



SECTION B-B

ITEM NO.	QTY.	PART NUMBER	DESCRIPTION
10	4	-	THREADED BALANCE FEET
9	1	-	60" HIGH PRESSURE 5/16" HOSE W/ ADJUSTABLE HIGH PRESSURE REGULATOR AND 1/2" FEMALE FLARE END FITTING
8	2	-	END COMPRESSION FITTING ADAPTER, 1/2" FIP X 1/2" FLARE
7	2	-	END COMPRESSION FITTING ADAPTER, 1/2" MIP X 1/2" FLARE
6	2	-	22" TRANQUILINE WHISTLE FREE FLEX LINE - 1/2" OD (3/8" ID)
5	2	-	THUMB SCREW, 1/4"
4	1	-	STARFIRE DESIGNS 3" UNIVERSAL KEY & VALVE FLANGE COMBO, FINISH: ANTIQUE COPPER
3	1	-	STARFIRE DESIGNS 1/2" MANUAL STRAIGHT QUARTER TURN GAS KEY VALVE
2	1	FP-724022-COPCYN	REMOVABLE SIDE PANEL
1	1	FP-724022-COPCYN	FIRE PIT ENCLOSURE, COPPER CANYON

**PROPRIETARY AND CONFIDENTIAL**  
 THE INFORMATION CONTAINED IN THIS DRAWING IS THE SOLE PROPERTY OF STARFIRE DIRECT. ANY REPRODUCTION IN PART OR AS A WHOLE WITHOUT THE WRITTEN PERMISSION OF STARFIRE DIRECT IS PROHIBITED.

UNLESS OTHERWISE SPECIFIED:		NAME	DATE	TITLE:
DIMENSIONS ARE IN INCHES		DRAWN		<b>COPPER CANYON FIRE PIT 72"X40"X22"</b>
TOLERANCES:		CHECKED		
FRACTIONAL ± 1/8"		ENG APPR.		
ANGULAR: MACH ± BEND ±		MFG APPR.		
TWO PLACE DECIMAL ±		Q.A.		SIZE DWG. NO. REV
THREE PLACE DECIMAL ±				<b>B</b> FP-724022-COPCYN <b>B</b>
INTERPRET GEOMETRIC TOLERANCING PER:	MATERIAL	STARFIRE DESIGNS		SCALE: 1:18 WEIGHT:
FINISH				SHEET 1 OF 1
NEXT ASSY	USED ON			
APPLICATION	DO NOT SCALE DRAWING			

4

3

2

1

A

A