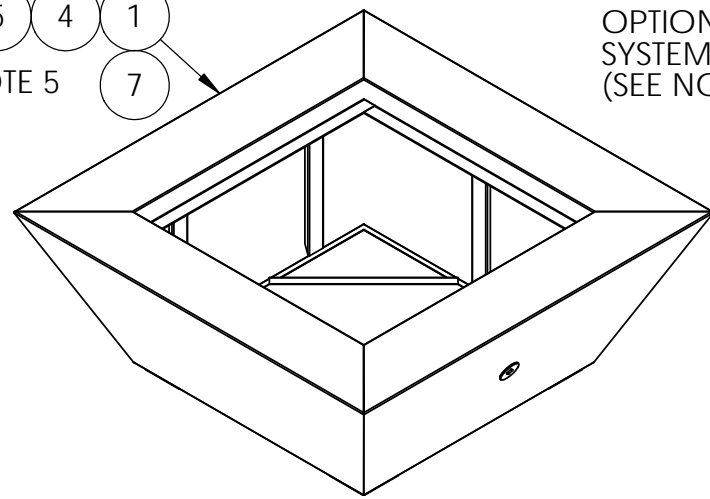
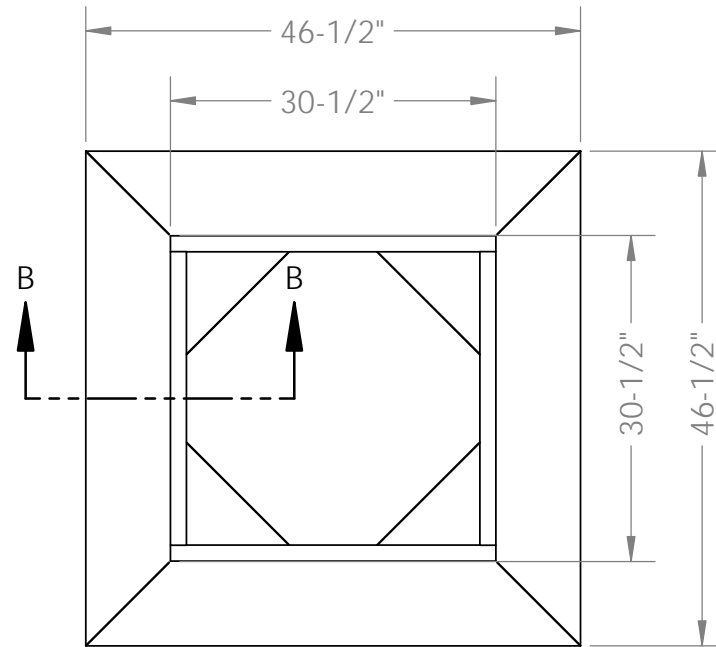


6 5 4 1
NOTE 5 7

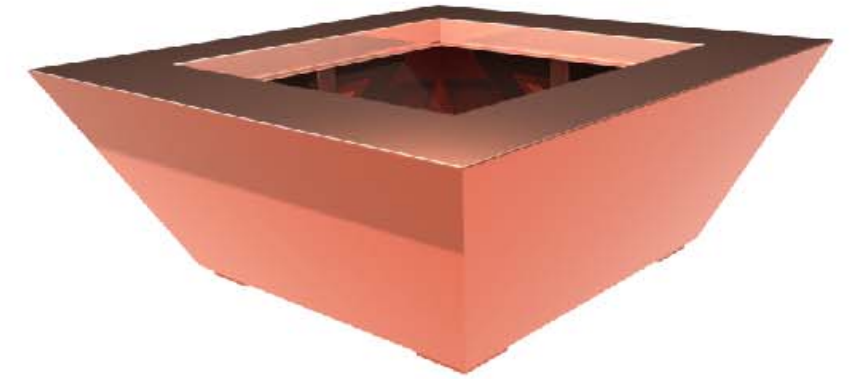
OPTIONAL BURNER SYSTEMS AVAILABLE (SEE NOTE 4)



REVERSE PERSPECTIVE VIEW



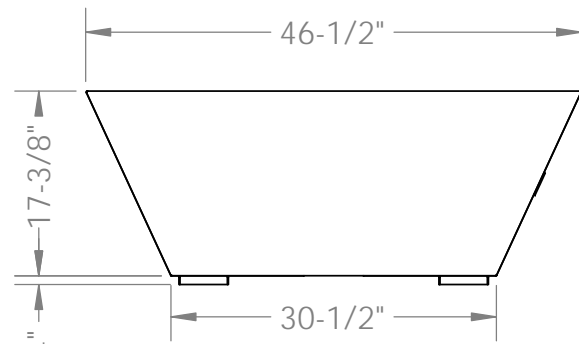
TOP VIEW



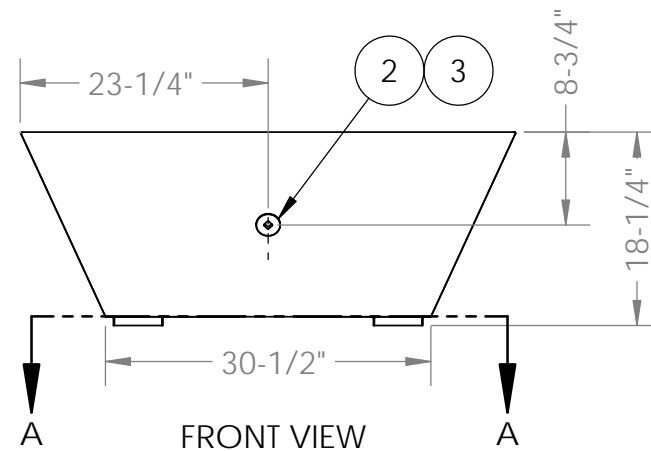
PERSPECTIVE VIEW

NOTES:

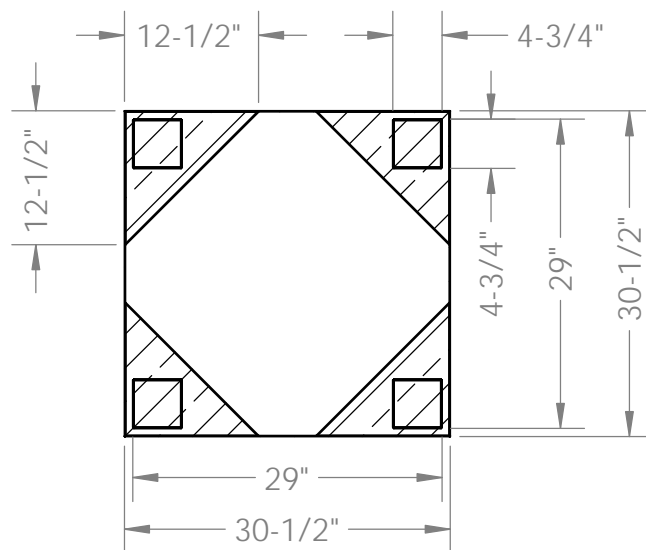
1. ALL DIMENSIONS ARE IN INCHES UNLESS OTHERWISE SPECIFIED.
2. MATERIAL: 20 OUNCE COPPER FINISHED WITH MACHINED HAMMER TEXTURE
3. UNIT WEIGHT: 80 LBS
4. IGNITION: ELECTRONIC IGNITION, MANUAL SPARK IGNITION, MATCH LIT IGNITION
5. SOME ITEMS ARE NOT SHOWN IN DRAWING VIEWS. SEE BILL OF MATERIALS FOR FULL PARTS LIST.



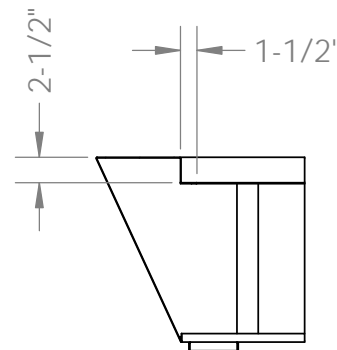
LEFT SIDE VIEW



FRONT VIEW



FOOTPRINT SECTION A-A



SECTION B-B

PROPRIETARY AND CONFIDENTIAL
THE INFORMATION CONTAINED IN THIS DRAWING IS THE SOLE PROPERTY OF STARFIRE DIRECT. ANY REPRODUCTION IN PART OR AS A WHOLE WITHOUT THE WRITTEN PERMISSION OF STARFIRE DIRECT IS PROHIBITED.

ITEM NO.	QTY.	PART NUMBER	DESCRIPTION
7	4	-	THREADED BALANCE FEET
6	2	-	END COMPRESSION FITTING ADAPTER, 1/2" FIP X 5/8" FLARE
5	2	-	END COMPRESSION FITTING ADAPTER, 1/2" MIP X 5/8" FLARE
4	2	-	22" TRANQUILINE WHISTLE FREE FLEX LINE - 5/8" OD (1/2" ID)
3	1	-	STARFIRE DESIGNS 3" UNIVERSAL KEY & VALVE FLANGE COMBO, FINISH: ANTIQUE COPPER
2	1	-	STARFIRE DESIGNS 1/2" MANUAL STRAIGHT QUARTER TURN GAS KEY VALVE
1	1	FP-484818-COPCYN	FIRE PIT ENCLOSURE, COPPER CANYON

UNLESS OTHERWISE SPECIFIED:		NAME	DATE	TITLE:
DIMENSIONS ARE IN INCHES		DRAWN		COPPER CANYON FIRE PIT 48"X48"X18"
TOLERANCES:		CHECKED		
FRACTIONAL ± 1/8"		ENG APPR.		
ANGULAR: MACH ± BEND ±		MFG APPR.		
TWO PLACE DECIMAL ±		Q.A.		SIZE DWG. NO. REV
THREE PLACE DECIMAL ±				B FP-484818-COPCYN B
INTERPRET GEOMETRIC TOLERANCING PER:		MATERIAL		SCALE: 1:18 WEIGHT:
MATERIAL		FINISH		SHEET 1 OF 1
NEXT ASSY	USED ON	APPLICATION		DO NOT SCALE DRAWING

