

4

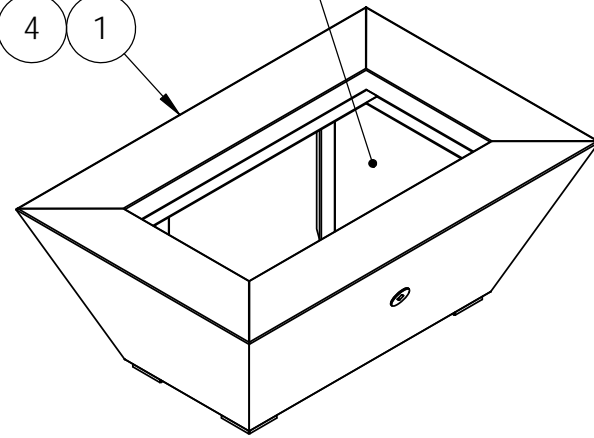
3

2

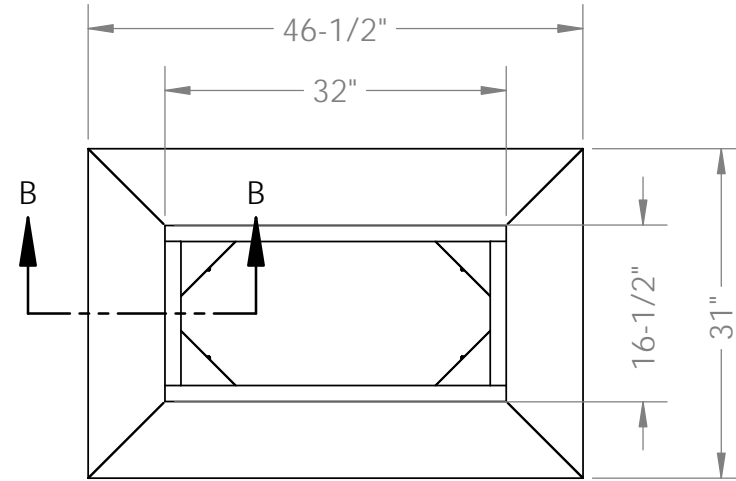
1

OPTIONAL BURNER SYSTEMS AVAILABLE (SEE NOTE 4)

7 6 5 4 1  
NOTE 5



REVERSE PERSPECTIVE VIEW



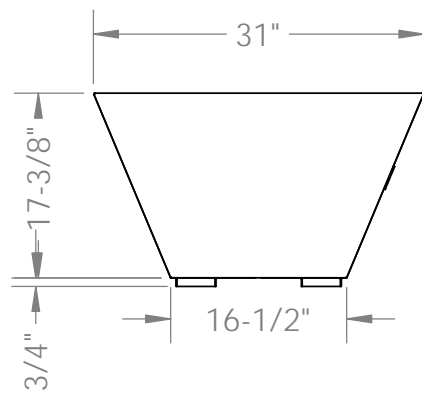
TOP VIEW



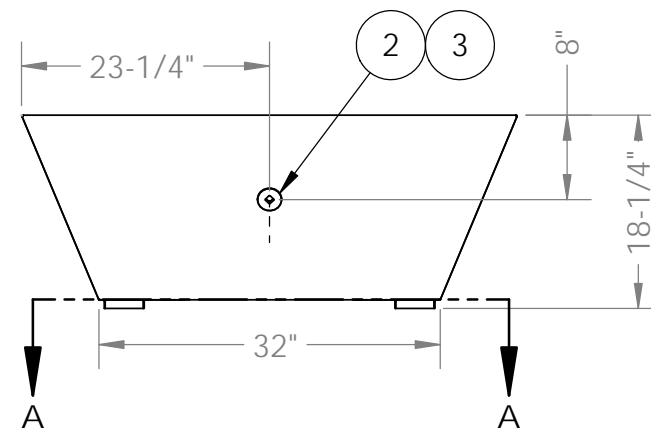
PERSPECTIVE VIEW

NOTES:

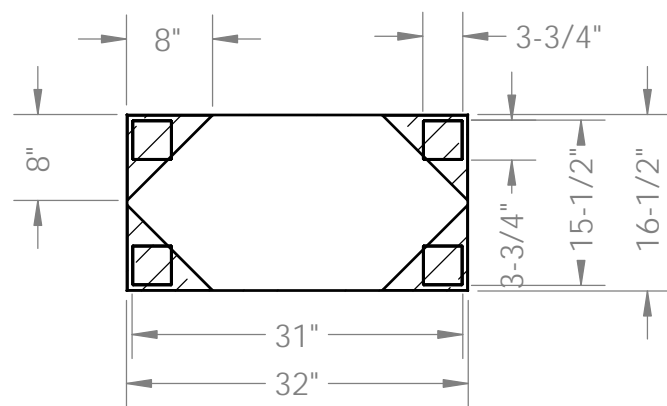
- 1. ALL DIMENSIONS ARE IN INCHES UNLESS OTHERWISE SPECIFIED.
- 2. MATERIAL: 20 OUNCE COPPER FINISHED WITH MACHINED HAMMER TEXTURE
- 3. UNIT WEIGHT: 75 LBS
- 4. IGNITION: ELECTRONIC IGNITION, MANUAL SPARK IGNITION, MATCH LIT IGNITION
- 5. SOME ITEMS ARE NOT SHOWN IN DRAWING VIEWS. SEE BILL OF MATERIALS FOR FULL PARTS LIST.



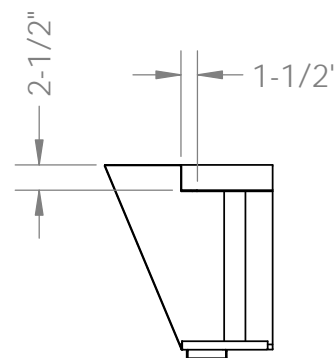
LEFT SIDE VIEW



FRONT VIEW



FOOTPRINT SECTION A-A



SECTION B-B

PROPRIETARY AND CONFIDENTIAL  
THE INFORMATION CONTAINED IN THIS DRAWING IS THE SOLE PROPERTY OF STARFIRE DIRECT. ANY REPRODUCTION IN PART OR AS A WHOLE WITHOUT THE WRITTEN PERMISSION OF STARFIRE DIRECT IS PROHIBITED.

ITEM NO.	QTY.	PART NUMBER	DESCRIPTION
7	4	-	THREADED BALANCE FEET
6	2	-	END COMPRESSION FITTING ADAPTER, 1/2" FIP X 5/8" FLARE
5	2	-	END COMPRESSION FITTING ADAPTER, 1/2" MIP X 5/8" FLARE
4	2	-	22" TRANQUILINE WHISTLE FREE FLEX LINE - 5/8" OD (1/2" ID)
3	1	-	STARFIRE DESIGNS 3" UNIVERSAL KEY & VALVE FLANGE COMBO, FINISH: ANTIQUE COPPER
2	1	-	STARFIRE DESIGNS 1/2" MANUAL STRAIGHT QUARTER TURN GAS KEY VALVE
1	1	FP-483218-COPCYN	FIRE PIT ENCLOSURE, COPPER CANYON

UNLESS OTHERWISE SPECIFIED:		NAME	DATE	TITLE:
DIMENSIONS ARE IN INCHES		DRAWN		<b>COPPER CANYON FIRE PIT 48"X32"X18"</b>
TOLERANCES:		CHECKED		
FRACTIONAL ± 1/8"		ENG APPR.		
ANGULAR: MACH ± BEND ±		MFG APPR.		
TWO PLACE DECIMAL ±		Q.A.		SIZE DWG. NO. REV
THREE PLACE DECIMAL ±				<b>B</b> FP-483218-COPCYN <b>B</b>
INTERPRET GEOMETRIC TOLERANCING PER:		MATERIAL		SCALE: 1:18 WEIGHT:
MATERIAL		FINISH		SHEET 1 OF 1
NEXT ASSY	USED ON	APPLICATION		DO NOT SCALE DRAWING

4

3

2

1

B

B

A

A