

4

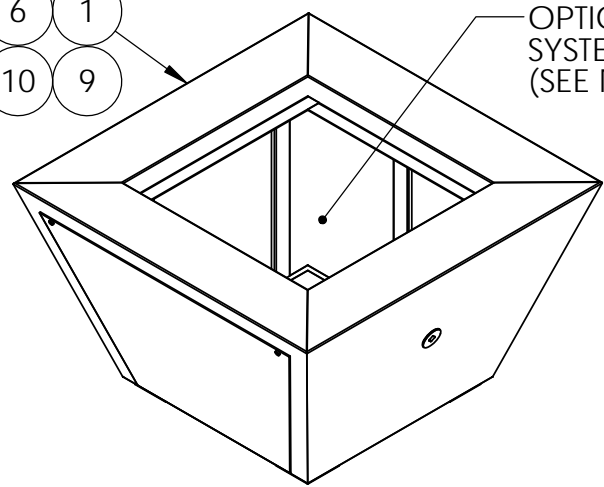
3

2

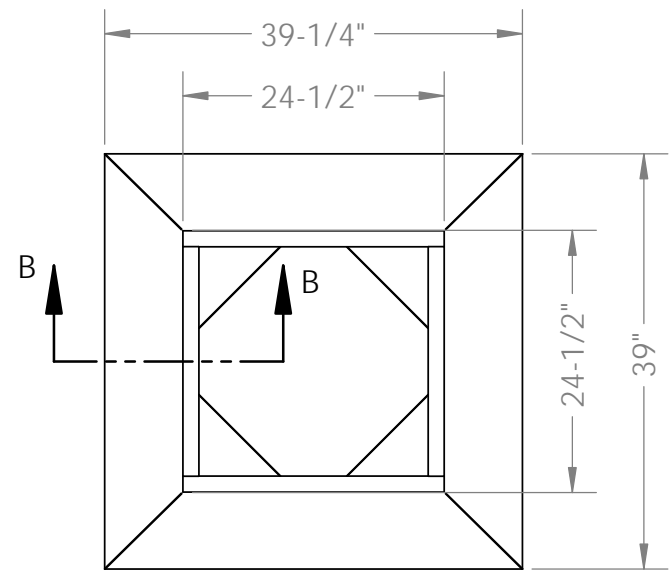
1

- 8
- 7
- 6
- 1
- NOTE 5
- 10
- 9

OPTIONAL BURNER SYSTEMS AVAILABLE (SEE NOTE 4)



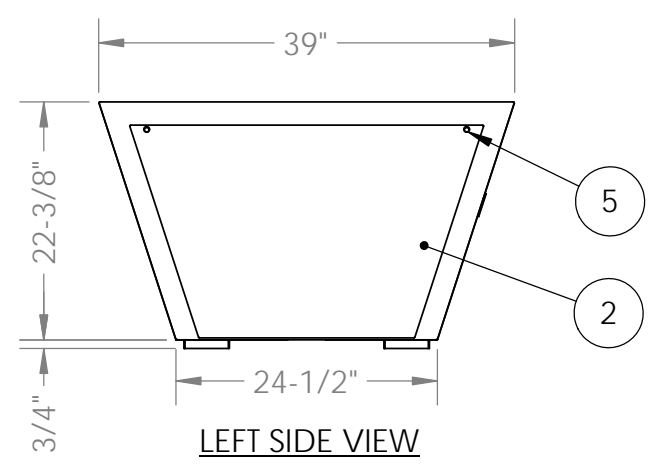
REVERSE PERSPECTIVE VIEW



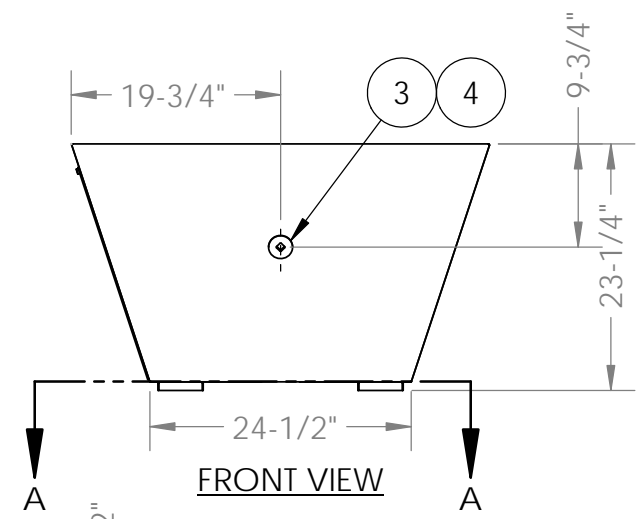
TOP VIEW



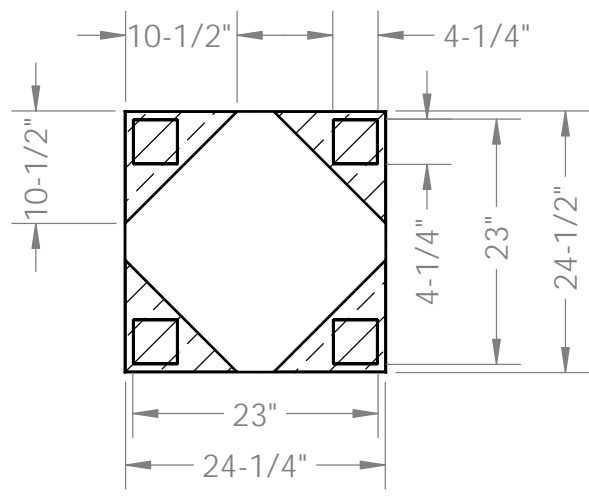
PERSPECTIVE VIEW



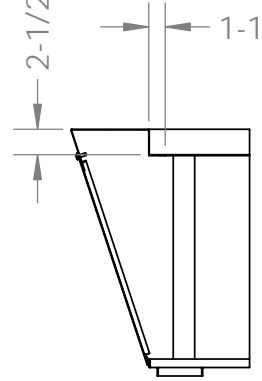
LEFT SIDE VIEW



FRONT VIEW



FOOTPRINT SECTION A-A



SECTION B-B

- NOTES:**
- ALL DIMENSIONS ARE IN INCHES UNLESS OTHERWISE SPECIFIED.
  - MATERIAL: 20 OUNCE COPPER FINISHED WITH MACHINED HAMMER TEXTURE
  - UNIT WEIGHT: 70 LBS
  - IGNITION: ELECTRONIC IGNITION, MANUAL SPARK IGNITION, MATCH LIT IGNITION
  - SOME ITEMS ARE NOT SHOWN IN DRAWING VIEWS. SEE BILL OF MATERIALS FOR FULL PARTS LIST.

ITEM NO.	QTY.	PART NUMBER	DESCRIPTION
10	4	-	THREADED BALANCE FEET
9	1	-	60" HIGH PRESSURE 5/16" HOSE W/ ADJUSTABLE HIGH PRESSURE REGULATOR AND 1/2" FEMALE FLARE END FITTING
8	2	-	END COMPRESSION FITTING ADAPTER, 1/2" FIP X 1/2" FLARE
7	2	-	END COMPRESSION FITTING ADAPTER, 1/2" MIP X 1/2" FLARE
6	2	-	22" TRANQUILINE WHISTLE FREE FLEX LINE - 1/2" OD (3/8" ID)
5	2	-	THUMB SCREW, 1/4"
4	1	-	STARFIRE DESIGNS 3" UNIVERSAL KEY & VALVE FLANGE COMBO, FINISH: ANTIQUE COPPER
3	1	-	STARFIRE DESIGNS 1/2" MANUAL STRAIGHT QUARTER TURN GAS KEY VALVE
2	1	FP-404023-COPCYN	REMOVABLE SIDE PANEL
1	1	FP-404023-COPCYN	FIRE PIT ENCLOSURE, COPPER CANYON

**PROPRIETARY AND CONFIDENTIAL**  
 THE INFORMATION CONTAINED IN THIS DRAWING IS THE SOLE PROPERTY OF STARFIRE DIRECT. ANY REPRODUCTION IN PART OR AS A WHOLE WITHOUT THE WRITTEN PERMISSION OF STARFIRE DIRECT IS PROHIBITED.

UNLESS OTHERWISE SPECIFIED:		NAME	DATE	TITLE:
DIMENSIONS ARE IN INCHES		DRAWN		<b>COPPER CANYON FIRE PIT 40"X40"X22"</b>
TOLERANCES:		CHECKED		
FRACTIONAL ± 1/8"		ENG APPR.		
ANGULAR: MACH ± BEND ±		MFG APPR.		
TWO PLACE DECIMAL ±		Q.A.		SIZE DWG. NO. REV
THREE PLACE DECIMAL ±				<b>B</b> FP-404022-COPCYN <b>B</b>
INTERPRET GEOMETRIC TOLERANCING PER:				SCALE: 1:18 WEIGHT: SHEET 1 OF 1
MATERIAL				
FINISH				
NEXT ASSY	USED ON			
APPLICATION		DO NOT SCALE DRAWING		

4

3

2

1

B

B

A

A