

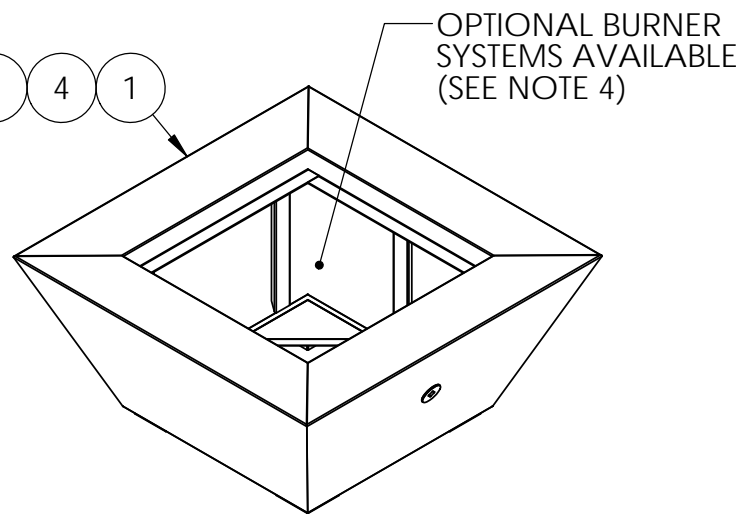
4

3

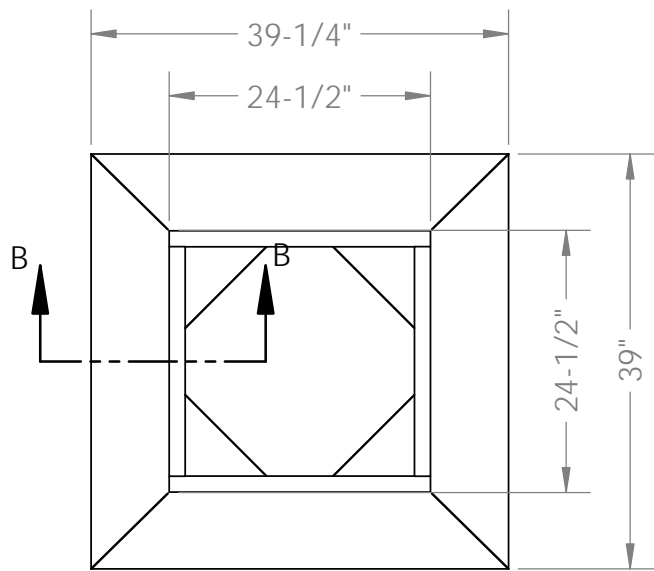
2

1

- 7
 - 6
 - 5
 - 4
 - 1
- NOTE 5



REVERSE PERSPECTIVE VIEW

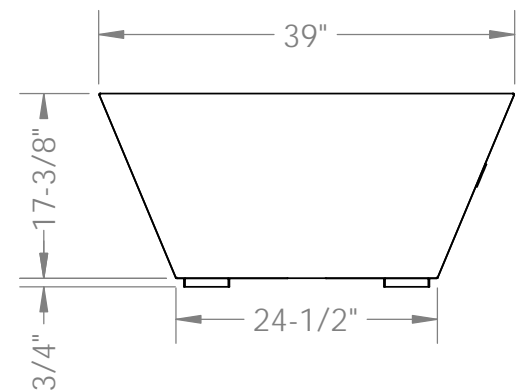


TOP VIEW

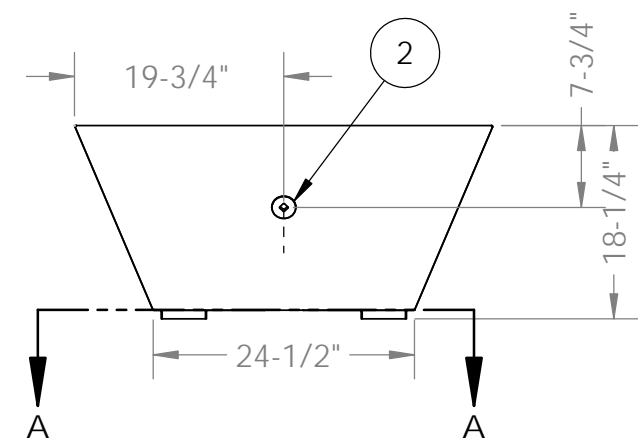


PERSPECTIVE VIEW

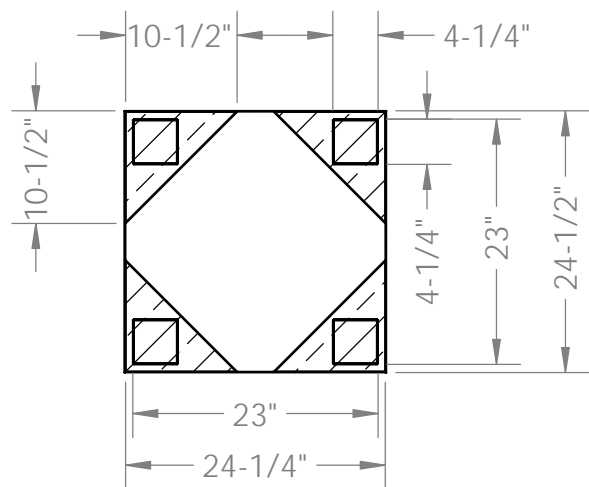
- NOTES:**
- ALL DIMENSIONS ARE IN INCHES UNLESS OTHERWISE SPECIFIED.
 - MATERIAL: 20 OUNCE COPPER FINISHED WITH MACHINED HAMMER TEXTURE
 - UNIT WEIGHT: 70 LBS
 - IGNITION: ELECTRONIC IGNITION, MANUAL SPARK IGNITION, MATCH LIT IGNITION
 - SOME ITEMS ARE NOT SHOWN IN DRAWING VIEWS. SEE BILL OF MATERIALS FOR FULL PARTS LIST.



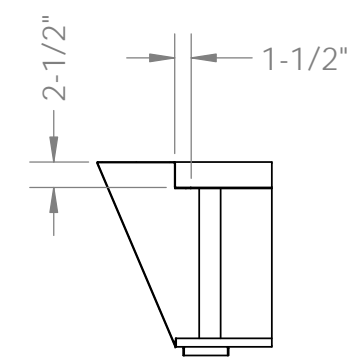
LEFT SIDE VIEW



FRONT VIEW



FOOTPRINT SECTION A-A



SECTION B-B

PROPRIETARY AND CONFIDENTIAL
 THE INFORMATION CONTAINED IN THIS DRAWING IS THE SOLE PROPERTY OF STARFIRE DIRECT. ANY REPRODUCTION IN PART OR AS A WHOLE WITHOUT THE WRITTEN PERMISSION OF STARFIRE DIRECT IS PROHIBITED.

ITEM NO.	QTY.	PART NUMBER	DESCRIPTION
7	4	-	THREADED BALANCE FEET
6	2	-	END COMPRESSION FITTING ADAPTER, 1/2" FIP X 5/8" FLARE
5	2	-	END COMPRESSION FITTING ADAPTER, 1/2" MIP X 5/8" FLARE
4	2	-	22" TRANQUILINE WHISTLE FREE FLEX LINE - 5/8" OD (1/2" ID)
3	1	-	STARFIRE DESIGNS 3" UNIVERSAL KEY & VALVE FLANGE COMBO, FINISH: ANTIQUE COPPER
2	1	-	STARFIRE DESIGNS 1/2" MANUAL STRAIGHT QUARTER TURN GAS KEY VALVE
1	1	FP-404018-COPCYN	FIRE PIT ENCLOSURE, COPPER CANYON

UNLESS OTHERWISE SPECIFIED:		NAME	DATE	TITLE:
DIMENSIONS ARE IN INCHES		DRAWN		COPPER CANYON FIRE PIT 40"X40"X18"
TOLERANCES:		CHECKED		
FRACTIONAL ± 1/8"		ENG APPR.		
ANGULAR: MACH ± BEND ±		MFG APPR.		
TWO PLACE DECIMAL ±		Q.A.		SIZE DWG. NO. REV
THREE PLACE DECIMAL ±				B FP-404018-COPCYN B
INTERPRET GEOMETRIC TOLERANCING PER:		MATERIAL		SCALE: 1:18 WEIGHT:
MATERIAL		FINISH		SHEET 1 OF 1
NEXT ASSY	USED ON	APPLICATION		DO NOT SCALE DRAWING

4

3

2

1

B

B

A

A

