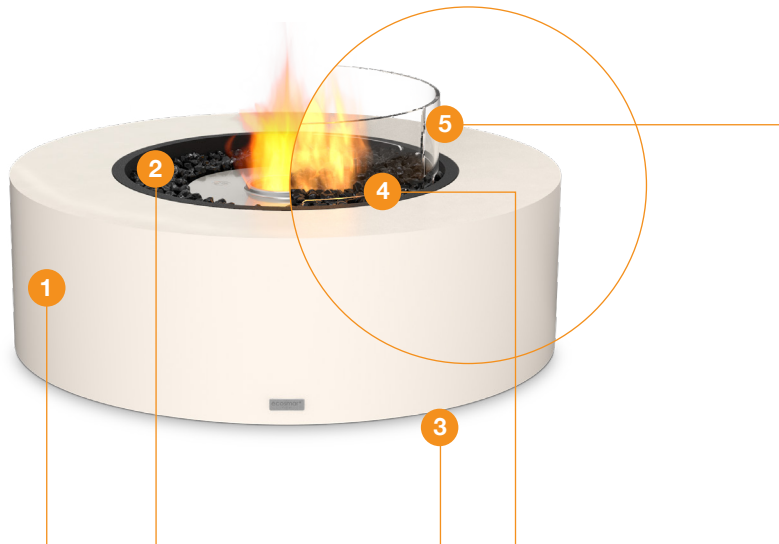


# Ark 40



# Ark 40 Design features



## 1. Fluid™ Concrete Finish

Incredibly strong yet relatively lightweight, EcoSmart's concrete products incorporate revolutionary Fluid Concrete Technology. Fluid features a stain and impact-resistant barrier that protects the concrete from environmental weathering – even under extreme conditions and long UV exposure.

## Relocate with Ease

When you select Bioethanol or Liquid Propane as your fuel source you'll never be tied down! With zero hard utility connections, relocating your fire is a breeze. Entertain on your own terms with EcoSmart Fire.

## Surround Colours

Our Fires are available in three Fluid Concrete colors.



Natural (Gas)



Graphite (Ethanol)



Bone (Ethanol)

## 2. Decorative Media

Our Fire Tables come with black glass charcoal.

## 3. Articulating Feet

Our Fire Pits and Tables feature 360° height-adjustable articulating feet, so you can achieve a perfectly level and stable model before operating the fireplace.

## Versatile & Incredibly Durable

EcoSmart portable fireplaces are versatile, incredibly durable, and are constructed of weather resistant materials. These appliances are designed to look great for years, and will perform admirably through all four seasons.

## 4. Triple Fuel Advantage

Choose between plumbed natural gas, readily available propane, or our eco-friendly bioethanol fuel system. We make it easy for you to achieve exactly what you want, for exactly where you want it.

## 5. Optional Glass Fire Screen

Crafted from toughened, tempered glass for higher strength and shatter resistance, the windscreen is equipped for outdoor performance.

## Quick & Easy Installation

With no installation or building works required, simply unpack, put into position, and off you go.

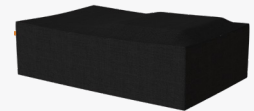
## Global Compliance

This model complies with existing standards in the USA, Europe, UK and Australia. O-TL listed to UL 1370, EN 16647 BSI Certified and ACCC Safety Mandate compliant for bioethanol burners. LP/NG burners are UL/ULC listed to ANSI Z21.97-2017 and CSA 2.41-2017.

## Included Accessories



Black Glass Charcoal



Winter Storage Bag



Jerry Can with Safety Spout & e-NRG bottle adaptor\*



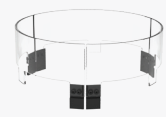
Lighting Rod & Lighter\*



AB8 Efficiency Ring\*

\*Ethanol models only.

## Optional Accessory



Glass Fire Screen

Disclaimer: All product specifications and data are subject to change without notice and believed to be correct at the time of publication. MAD Design Group (MDG), its affiliates, agents, and employees, and all persons acting on its or their behalf (collectively, "MAD Design Group"), disclaim any and all liability for any errors, inaccuracies or incompleteness contained herein or in any other disclosure relating to any product. MDG disclaims any and all liability arising out of the use or application of any product described herein or of any information provided herein to the maximum extent permitted by law. The product specifications do not expand or otherwise modify MDG's terms and conditions of purchase, including but not limited to the warranty expressed therein, which apply to these products. No license, express or implied, by estoppel or otherwise, to any intellectual property rights is granted by this document or by any conduct of MDG. Customers using or selling MDG products not expressly indicated for use in such applications do so entirely at their own risk and agree to fully indemnify MDG for any damages arising or resulting from such use or sale. Please contact authorised personnel from MDG to obtain written terms and conditions regarding products designed for such applications. Images are indicative only.

# Ark 40 Specifications

A curvaceous design combined with functional wide lip (ideal for perching a drink on), the Ark 40 suits all types of decor and settings. An instant talking point.

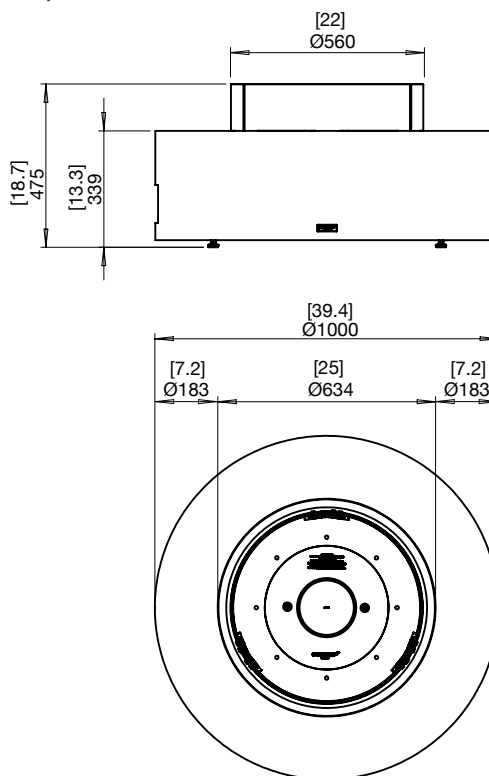
## Ventilation and Efficiency\*



Dimensions L x W x H mm/in	Compatible Burner	Fuel Capacity	Heats on Average (Indoors)	Thermal Output Net (MAX per burner)	Approx. Burn Time	Minimum Room Size
1270 x 762 x 296 50 x 30 x 11.7	AB8 (Ethanol)	8 L [2.1 Gals]	Over 60 m <sup>2</sup> [645 ft <sup>2</sup> ]	21.56 MJ/h 20,433 BTU/h, 5.99 kW	7 - 9 hours	116 m <sup>3</sup> [4,096 ft <sup>3</sup> ]
	Liquid Propane	NA	Outdoor Use Only	65,000 BTU/h	8 - 20 hours	Outdoor Use Only
	Natural Gas				Unlimited	

Application <sup>1</sup>	Indoor & Outdoor
Surround Colors	<ul style="list-style-type: none"> <li><span style="display: inline-block; width: 15px; height: 15px; background-color: #444; border-radius: 50%; margin-right: 5px;"></span> Natural ESF.O.ARK.40.NA.E   ESF.O.ARK.40.NA.G</li> <li><span style="display: inline-block; width: 15px; height: 15px; background-color: #222; border-radius: 50%; margin-right: 5px;"></span> Graphite ESF.O.ARK.40.GH.E   ESF.O.ARK.40.GH.G</li> <li><span style="display: inline-block; width: 15px; height: 15px; background-color: #eee; border-radius: 50%; margin-right: 5px;"></span> Bone ESF.O.ARK.40.BO.E   ESF.O.ARK.40.BO.G</li> </ul>
Burner Colors	<ul style="list-style-type: none"> <li><span style="display: inline-block; width: 15px; height: 15px; background-color: #ccc; border-radius: 50%; margin-right: 5px;"></span> Stainless Steel</li> <li><span style="display: inline-block; width: 15px; height: 15px; background-color: #000; border-radius: 50%; margin-right: 5px;"></span> Black</li> </ul>
Materials	Fluid Concrete Surround, Grade 304 Stainless Steel Burner, with optional Black Ceramic Coating
Approx. Weight	58.3kg [128.2lbs] Weight includes burner and black glass charcoal.
Fuel Type	e-NRG Bioethanol, Liquid Propane or Natural Gas

Line drawings show the optional Glass Fire Screen accessory.



\*These values are indicative only.

<sup>1</sup> LP/NG is suited for Outdoor use only. Bioethanol is suited for both Indoor/Outdoor use, however, additional parts are REQUIRED for indoor use. Please advise your Sales Representative at the time of purchase so that the product can be configured accordingly. This model comes with fixing brackets for permanently locating into a fixed position.

This model complies with existing standards in the USA, Europe, UK and Australia. O-TL listed to UL 1370, EN 16647 BSI Certified and ACCC Safety Mandate compliant for bioethanol burners. LP/NG burners are UL/ULC listed to ANSI Z21.97-2017 and CSA 2.41-2017

## FOR MORE INFORMATION PLEASE REFERENCE THE CLEARANCE & INSTALLATION MANUAL

Disclaimer: All product specifications and data are subject to change without notice and believed to be correct at the time of publication. MAD Design Group (MDG), its affiliates, agents, and employees, and all persons acting on its or their behalf (collectively, "MAD Design Group"), disclaim any and all liability for any errors, inaccuracies or incompleteness contained herein or in any other disclosure relating to any product. MDG disclaims any and all liability arising out of the use or application of any product described herein or of any information provided herein to the maximum extent permitted by law. The product specifications do not expand or otherwise modify MDG's terms and conditions of purchase, including but not limited to the warranty expressed therein, which apply to these products. No license, express or implied, by estoppel or otherwise, to any intellectual property rights is granted by this document or by any conduct of MDG. Customers using or selling MDG products not expressly indicated for use in such applications do so entirely at their own risk and agree to fully indemnify MDG for any damages arising or resulting from such use or sale. Please contact authorised personnel from MDG to obtain written terms and conditions regarding products designed for such applications. Images are indicative only.