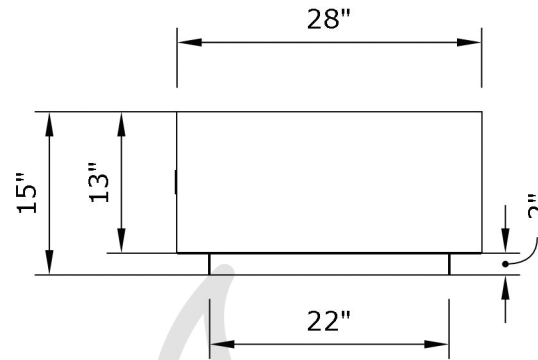
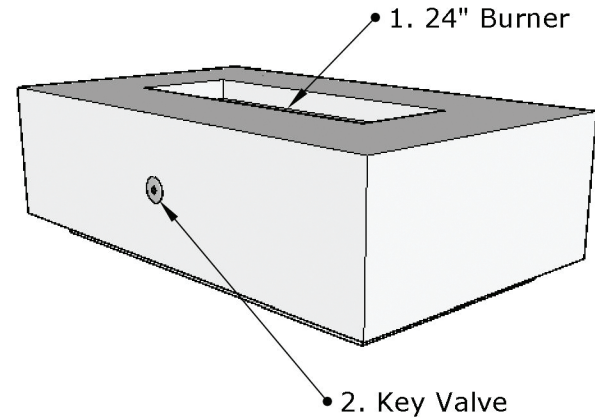


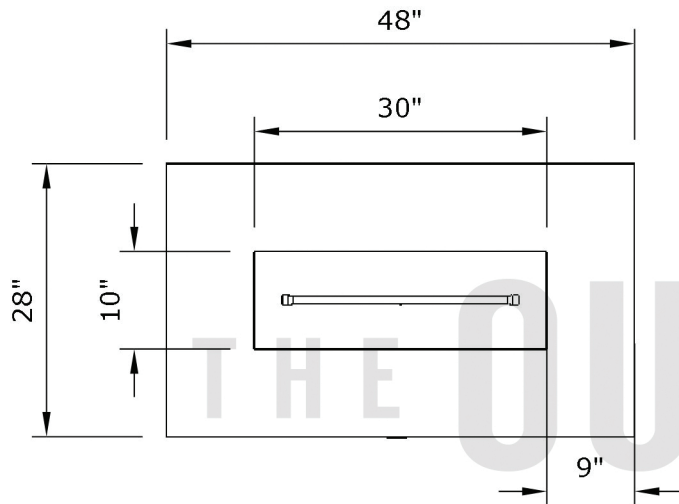
## Coronado - 48" Fire Pit

<b>Page Number</b>	1 of 1
<b>Author:</b> Bryant Uribe	4/24/2018
<b>Approved By:</b> Gabriel Estrada	4/24/2018

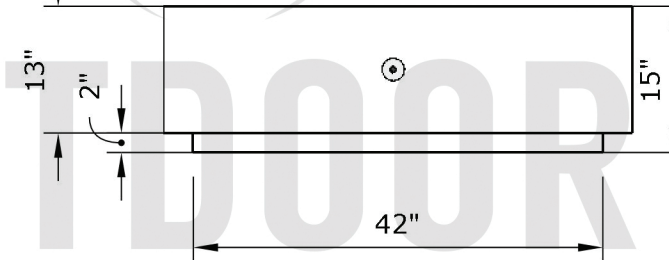


FRONT

### Replacement Part Numbers



TOP



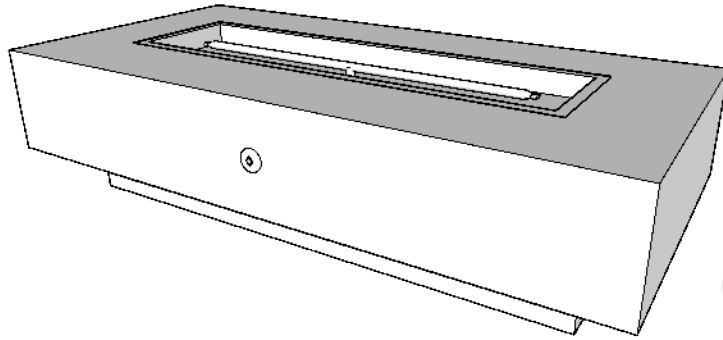
SIDE

<b>Part Number</b>	OPT-COR48, OPT-COR48EKIT
<b>Material</b>	GFRC Concrete
<b>Finishes</b>	Wood Grain (Oak or Ivory)
<b>Gas Type</b>	Natural Gas (-NG) or Liquid Propane (-LP)
<b>Weight</b>	235 lbs.
<b>BTUs</b>	65,000
<b>Suggested Fire Glass</b>	50 lbs.
<b>Access Door</b>	Yes

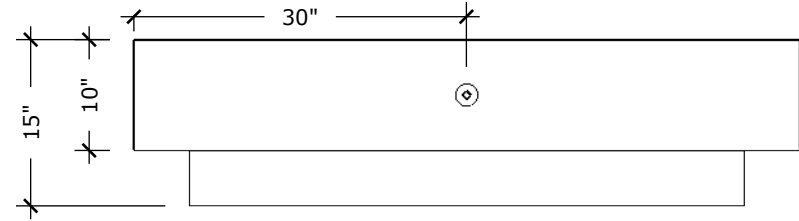
ITEM NO.	REPLACEMENT PART NUMBER	QTY.
1	OPT-167	1
2	OPT-256	1

**Proprietary & Confidential:** The information contained in this drawing is the sole property of **The Outdoor Plus**. Any reproduction or as a whole without written permission of **The Outdoor Plus** is prohibited.

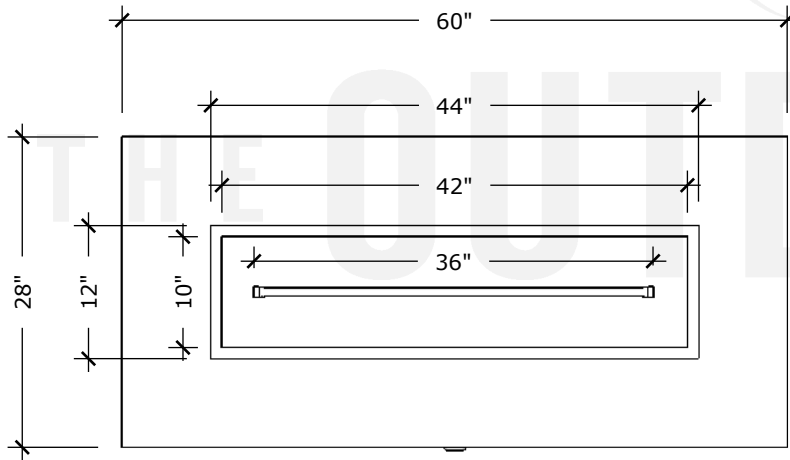




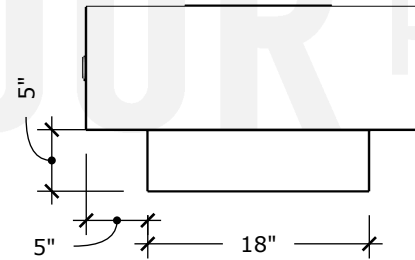
**PERSPECTIVE**



**FRONT**



**TOP**



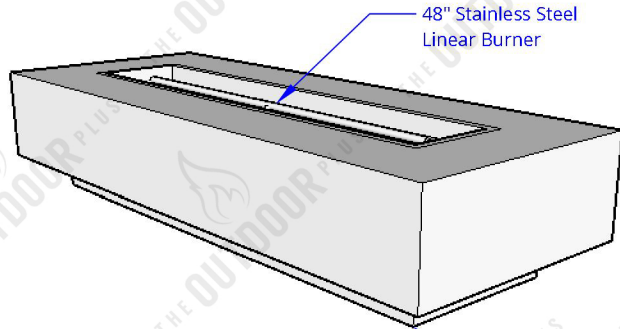
**SIDE**

**60" x 28" X 15" Coronado  
Wood Grain Fire Pit**

<b>Part Number</b>	OPT-COR60
<b>Material</b>	GFRC Concrete
<b>Finishes</b>	Wood Grain Finish
<b>Gas Type</b>	NG or LP
<b>Weight</b>	375 lbs
<b>BTUs</b>	65,000
<b>Suggested Fire Glass</b>	50 lbs
<b>Access Door</b>	N/A



235 East Main St  
Ontario CA 91761  
Office: (909) 460-5579

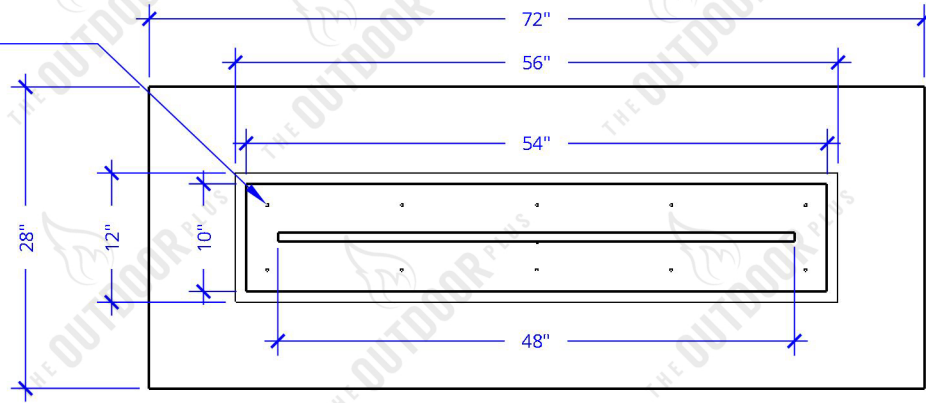


48" Stainless Steel Linear Burner

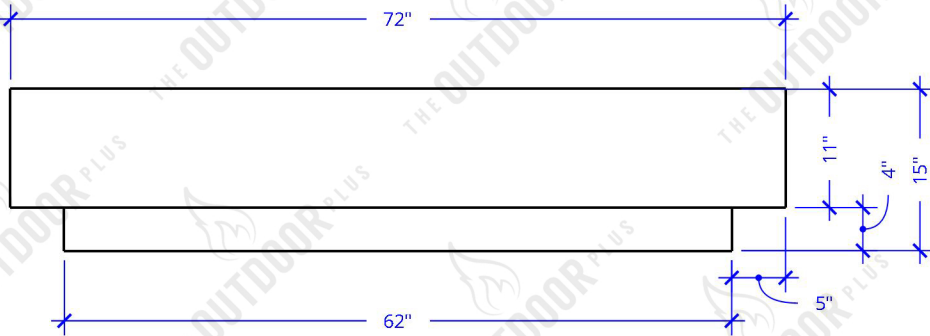
**ISOMETRIC VIEW**

Bottom is Hollow for easy gas plumbing.

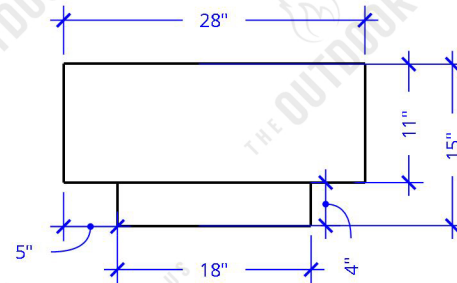
Drain Holes



**TOP VIEW**



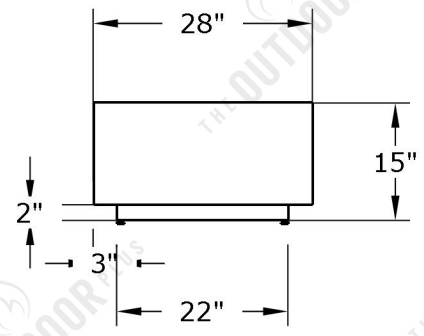
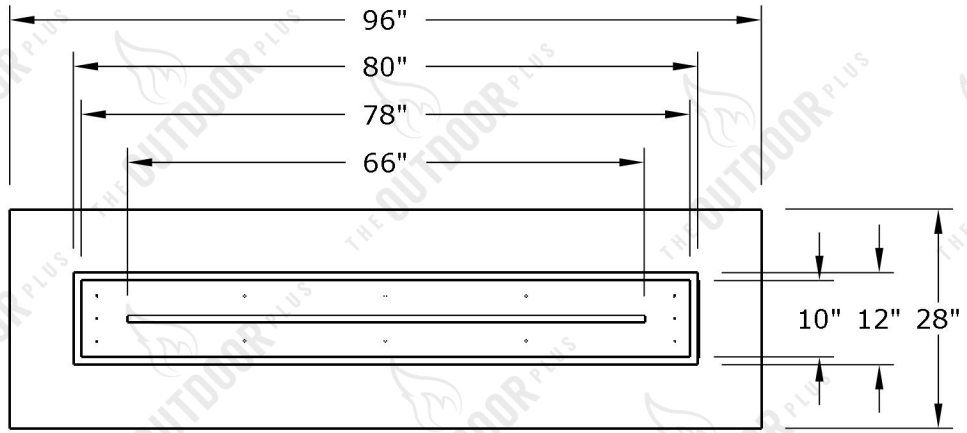
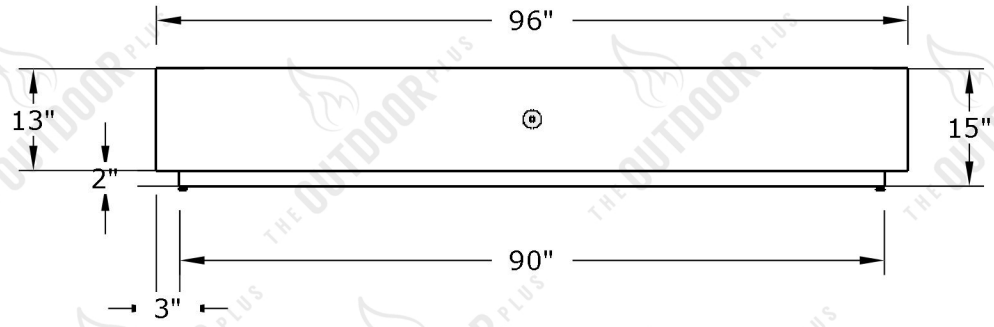
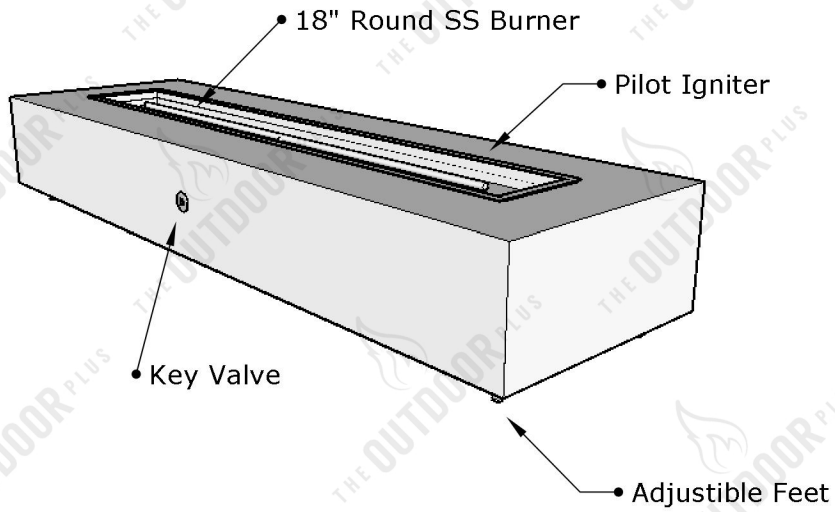
**FRONT VIEW**



**RIGHT VIEW**

**72" Coronado Woodgrain Concrete Fire Pit - Match Lit Ignition**

<b>SKU</b>	OPT-COR72
<b>Material</b>	STEEL, HARDIBOARD, GFRC
<b>Finish</b>	WOOD TEXTURE
<b>Gas Type</b>	NG OR LP
<b>Weight</b>	APPROX. 455 LBS.
<b>BTUs</b>	65,000
<b>Sugg. Fire Glass</b>	APPROX. 50 LBS.



**THE OUTDOOR PLUS**  
USA MANUFACTURER OF FIRE & WATER FEATURES

<b>Coronado WG 96" Concrete Fire Pit</b>	
<b>Part Number</b>	OPT-COR96
<b>Material</b>	GFRC / Stainless Steel
<b>Finishes</b>	Wood Grain
<b>Gas Type</b>	NG or LP
<b>Weight</b>	APPROX. 500 lbs
<b>BTUs</b>	APPROX. 130,000
<b>Suggested Fire Glass</b>	100 LBS
<b>Access Door</b>	NO

**Proprietary & Confidential:** The information contained in this drawing is the sole property of **The Outdoor Plus**. Any reproduction or as a whole without written permission of **The Outdoor Plus** is prohibited.