

Installation and Operation Instructions

INTRODUCTION

Your bentintoshape Cor-Ten Steel Gas Fire Pit is designed for installation in a fully vented, open air patio area which is constructed of non-combustible material. See page 9 for installation on wood deck.

Do not place this appliance on a grass or dirt area. This may prevent proper safety venting.

This appliance is designed as an "attended appliance". Adults must be present when the unit is operating. **DO NOT** leave this unit burning when unattended. If this product is left burning unattended it may cause damage, serious injury **OR LOSE OF LIFE.**

GENERAL INFORMATION

These instructions are intended as a general guide and do not supersede national or local codes in any way. Authorities having jurisdiction should be consulted before installation.

Installation and provision for combustion and ventilation air must conform with the National Fuel Gas Code.

IMPORTANT !

Read all instructions carefully before starting installation. Failure to follow these installation instructions may result in a possible fire hazard and void the warranty.

WARNING !

For outdoor use only. Do not use for cooking.

CUSTOMER CARE

For any replacement parts or questions please contact customer care at 1-888-226-0658

Table of Contents

Safety Information2
Installation3-5
Operating Instructions5
Lighting Instructions6
Turning off Gas6
Maintenance Instructions7
Troubleshooting7
Cor-Ten Steel Maintenance8

WHAT TO DO IF YOU SMELL GAS

Shut off gas supply to the appliance.
DO NOT ATTEMPT TO LIGHT THE APPLIANCE!
Do not touch any electrical switch.
Do not use a cell phone in the area.
Extinguish any open flames.
Immediately call your gas supplier. Follow the gas supplier's instructions.
If you can not reach your gas supplier, call the fire department

!!!WARNING !!!

Improper installation, adjustment, alteration, service or maintenance can cause injury or property damage. Read this manual thoroughly before installing or servicing this equipment.

A liquid propane tank, not connected for use with this decorative gas fire pit, shall not be stored in the vicinity of this or any other appliance.

This appliance must be used only outdoors in a well ventilated space and must not be used inside a building, garage, or any other enclosed area.

SAFETY INFORMATION

The installation must conform with local codes or, in the absence of local codes, with the National Fuel Gas Code ANSI Z223.1 or CAN/CGA-B149.1. National Gas Installation Code or CAN/CGA-B149.2. Propane Installation Code.

IMPORTANT: Installation of natural gas should be done by a qualified installer, service agency or gas supplier.

WARNING: Fuels used in gas or oil - fired appliances, and the products of combustion of such fuels, contain chemicals known to the State of California to cause cancer, birth defects, and/or other reproductive harm. This warning is issued pursuant to California Health & Safety Code Sec. 25249.6.

While this appliance is not in use, the gas must be turned off at the gas supply.

NOTE: This gas appliance is designed for outdoor use only. It is not intended for installation in any building, garage or enclosed structure. It is not intended for installation in or on recreational vehicles or boats.

Children and adults should be alerted to the hazards of high surface temperatures and should stay away to avoid burns or clothing ignition.

Young children should be carefully supervised when they are in the area of the appliance and should never be allowed to operate the fire pit.

Never leave the appliance unattended during operation

Clothing or other flammable materials should not be placed on or near the appliance.

The LP gas cylinder supply system must be arranged for vapor withdrawal. The LP gas cylinder used must include a collar to protect the cylinder valve

Installation and repair should be done by a qualified service person. The appliance should be inspected before use and at least annually by a qualified service person. More frequent cleaning may be required as necessary. It is imperative the control compartment, burners and circulating air passageways of the appliance be kept clean.

Inspect the fuel supply (including that of the LP models) before each use of the appliance.

If it is evident there is excessive abrasion or wear, or the hose is cut, it must be replaced prior to the appliance being put into operation.

The LP gas supply cylinder used with LP models must be constructed and marked in accordance with the specifications for LP gas cylinders of the U.S. Department of Transportation (DOT).

Cylinders must be stored outdoors in a well ventilated area out of the reach of children. Disconnected cylinders must have threaded valve plugs tightly installed and must not be stored in a building, garage or any other enclosed area. The storage and usage of cylinders used with this appliance must comply with all national and local codes.

When an LP model is not in use, the LP gas must be turned off at the supply cylinder.

Do not attempt to disconnect the gas or any gas fitting while this appliance is in operation.

INSTALLATION

A. Location

- 1) Your fire pit can be installed on any flat, stable surface away from any combustible materials or construction.
- 2) Be sure to install your fire pit in a fully vented, open air patio area which is constructed of non-combustible material. NOTE: Do not place this appliance on grass or dirt area. This may prevent proper safety venting.
- 3) DO NOT place fire pit by combustible walls, plants, trees or furniture.
- 4) A minimum of height clearance of 10 feet above top surface of fire pit is required on propane and natural gas fire pits.
- 5) DO NOT place natural wood burning fire pit under any type of roof, arbor, tree or plant.
- 6) **ALL fire pits may eject sparks, embers, or flames. USE CAUTION WHEN BURNING NATURAL WOOD. Sparks, embers or flames may ignite surrounding structures, grasses, plants or trees.**
- 7) NEVER LEAVE A NATURAL WOOD BURNING FIRE PIT UNATTENDED.
- 8) NEVER USE THIS APPLIANCE WHEN LOCAL, COUNTY, OR STATE AGENCY DOES NOT ALLOW OPEN FLAME APPLIANCES TO BE OPERATED.
- 9) NEVER USE THIS APPLIANCE WHEN LOCAL, COUNTY, OR STATE AGENCY DOES NOT ALLOW OPEN FLAME APPLIANCES TO BE OPERATED.
- 10) NEVER USE THIS APPLIANCE WHEN LOCAL, COUNTY, OR STATE AGENCY HAS A BURN BAN IN EFFECT.

B. LP Gas Models

Items NOT provided with fire pit

Propane source or tank
Propane regulator
Fuel source connection to key valve
Key valve accepts a 1/2" male pipe thread fitting

ALL GAS CONNECTIONS SHOULD BE DONE BY A LICENSED INSTALLER.

Remember: Always comply with local and national codes when installing any LP or natural gas appliance.

- 1) Unpack fire pit and check for any damage. Do not use damaged components.
- 2) LP models are equipped with a Propane/Air mixer directly below the fire ring. (shown in Figure 1A and 1B)
- 3) The fire ring is connected to the key valve with a flexible stainless steel hose. (shown in Figure 1A and 1B). The fire pit is completely assembled to the key valve. Check to make sure there is no damage to the line from the burner ring to the key valve.
- 4) Make sure that the supply tank valve is turned completely OFF (clockwise), and has the proper external mating threads.
- 5) Make sure that the key valve is turned completely OFF (clockwise), and has the proper mating threads from the supply hose to the key valve.
- 6) Position the hose out of pathways where people may trip over it or in areas where the hose may be subject to accidental damage.
- 7) Open the supply tank valve fully counterclockwise. Use a soap and water solution to check all connections for leaks. If a leak is found, turn the supply tank valve fully clockwise so that it is completely closed and DO NOT use the appliance until repairs can be made.
- 8) **EXCESSIVE GAS PRESSURE MAY CAUSE BACKFLOW TO PROPANE/AIR MIXER. CHECK TO MAKE SURE THERE IS NO FLAME AT PROPANE/AIR MIXER.**

C. Natural Gas Models

Items NOT provided with fire pit

Natural gas source
Fuel source connection to key valve
Key valve accepts a 1/2" male pipe thread fitting

ALL GAS CONNECTIONS SHOULD BE DONE BY A LICENSED INSTALLER.

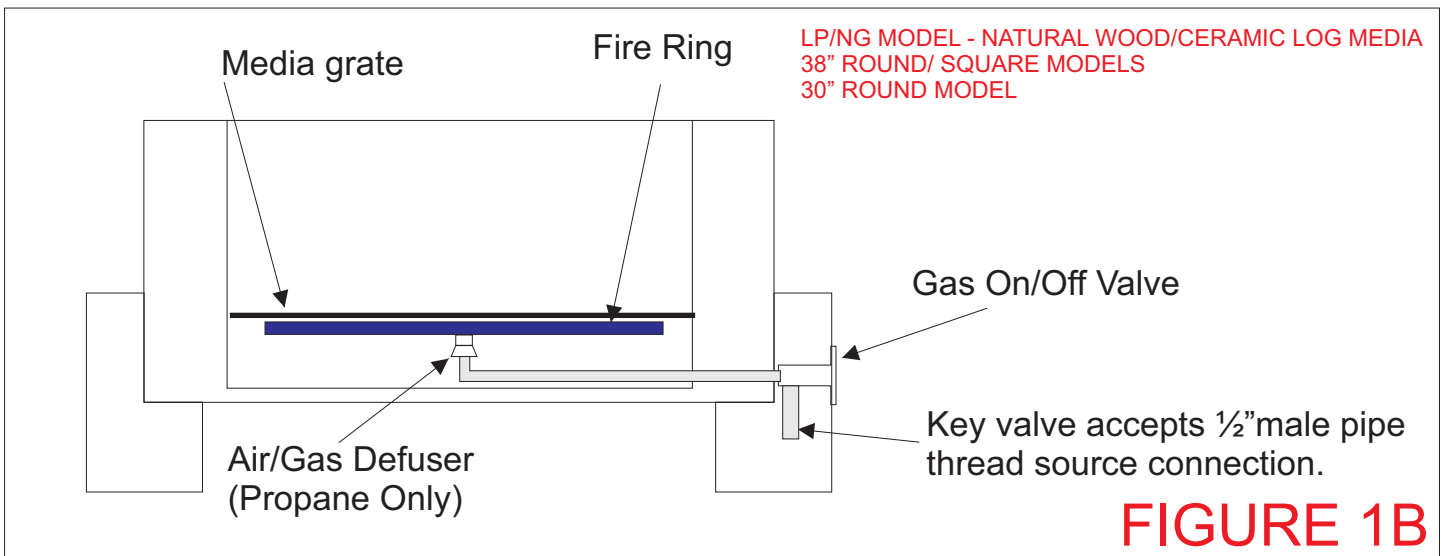
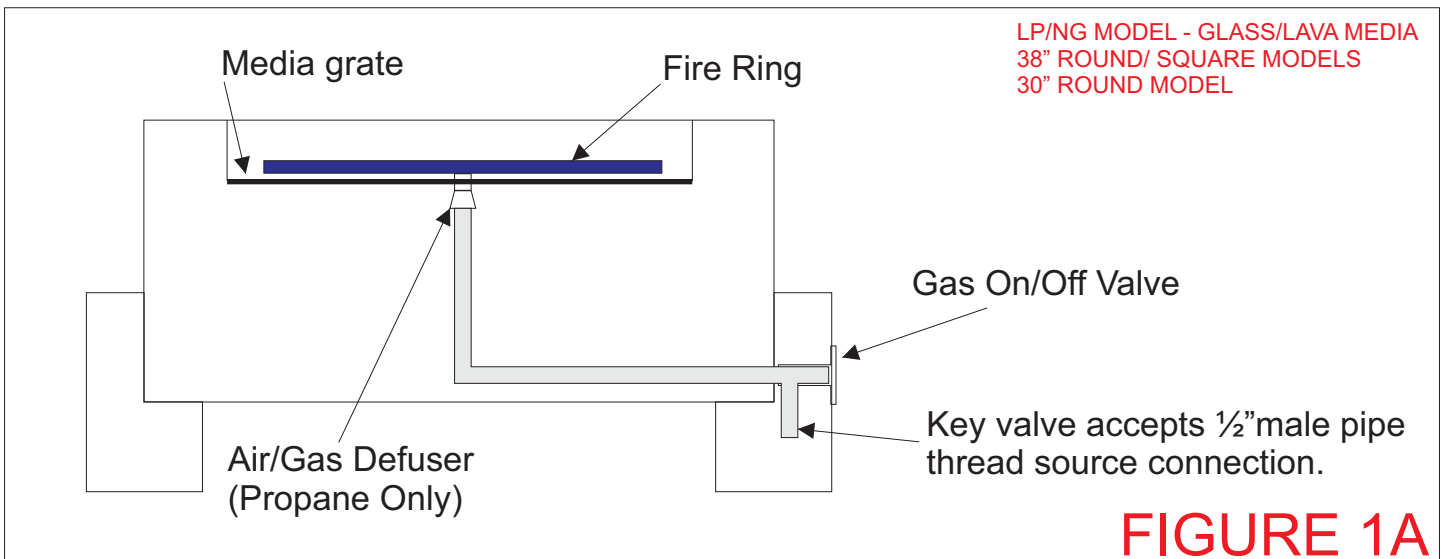
Remember: Always comply with local and national codes when installing any LP or natural gas appliance.

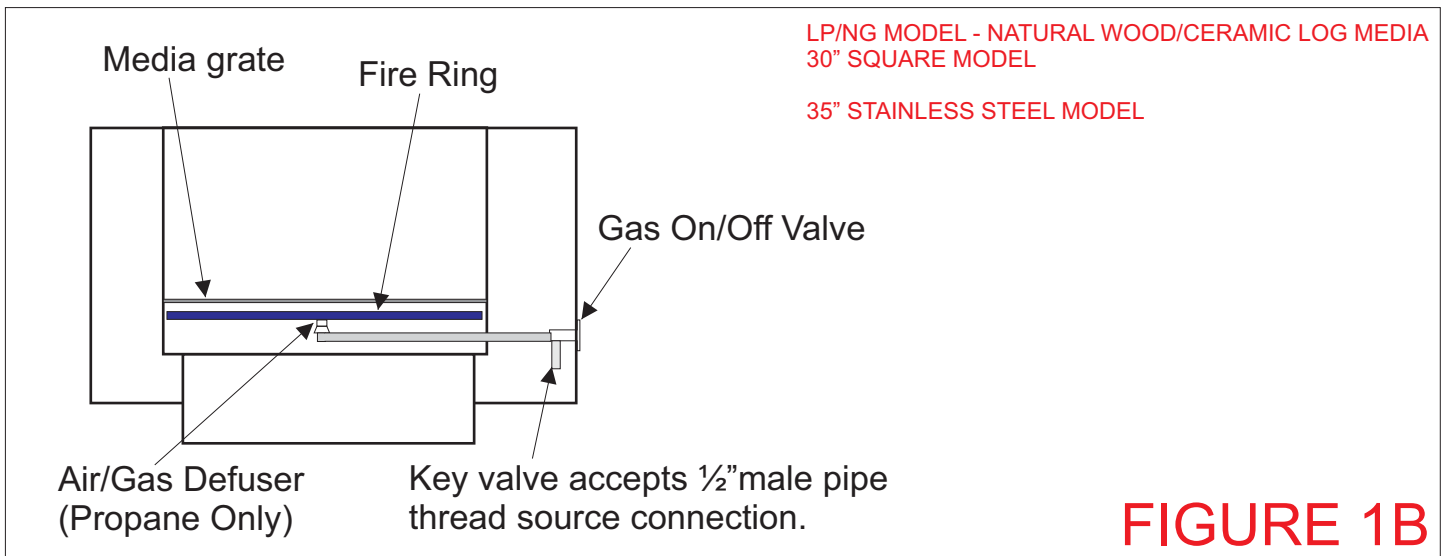
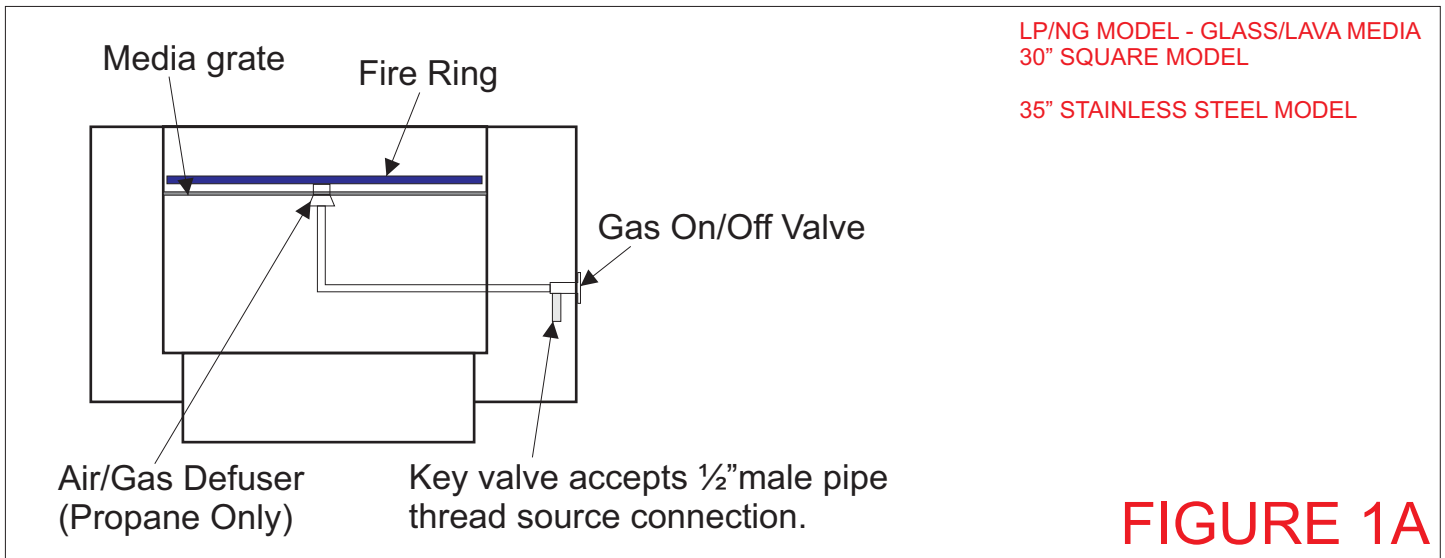
- 1) Unpack fire pit and check for any damage. Do not use damaged components.
- 2) The fire ring is connected to the key valve with a flexible stainless steel hose. (shown in Figure 1A and 1B). The fire pit is completely assembled to the key valve. Check to make sure there is no damage to the line from the burner ring to the key valve.

- 3) If your local codes do not allow for the use of a flexible hose,
 - attach your natural gas line to the key valve (Figure 1A and B)
 - Key valve accepts 1/2" male pipe thread.
 - key valve (Figure 1A and B)
- 4) If your local codes allow for the use of a flexible hose:
 - attach the flexible hose to the key valve.
 - Key valve accepts 1/2" male pipe thread.
 - key valve (Figure 1A and B)

Remember: Always comply with local and national codes regarding the use of flexible hoses and ball valves as ON/OFF switches.

- 5) Be sure that your gas supplier has performed a gas line pressure leak test. If necessary, test for leaks yourself by using a soap and water solution.





OPERATING INSTRUCTIONS

1. Read all warnings included in this manual and included in national and local codes regarding all parts used in the operation of this appliance.
2. Inspect the burner before each use of the appliance. If there is any evidence that the burner is damaged, it must be replaced before operating.
3. Upon completing the gas line connection, a small amount of air will be in the lines. When first lighting the burner it will take a few minutes for the lines to purge themselves of this air. Subsequent lighting of the appliance will not require such purging. **Never allow the key valve to remain in the open position WITHOUT placing a burning match on top of the burner first!**
4. **WHEN LIGHTING FIRE PIT, ONLY OPEN KEY VALVE SLIGHTLY. ALWAYS PLACE MATCH NEAR CENTER ORIFICE PRIOR TO OPENING KEY VALVE.**

FOR YOUR SAFETY, READ BEFORE LIGHTING

!!! WARNING !!!

If you do not follow these instructions exactly, a fire or explosion may result causing property damage, personal injury and/or loss of life.

- A. This appliance must be lit by hand. When lighting follow these instructions exactly.
- B. Before lighting, smell all around the appliance area for gas. Be sure to smell next to the base of the appliance, because some gas is heavier than air and will settle on the floor.

WHAT TO DO IF YOU SMELL GAS:

Shut off gas supply to the appliance.

Extinguish any open flames.

Immediately call your gas supplier. Follow the gas supplier's instructions.

If you cannot reach your gas supplier, call the fire department.

- C. **Do not use this appliance if any part has been underwater. Immediately call a qualified service technician to inspect the appliance, and to replace any part which has been under water.**

LIGHTING INSTRUCTIONS

1. To light the burner with an LP gas supply, fully open the tank valve counterclockwise. Next, place a burning match in the middle of the burner where ports are present. **DO NOT HOLD THE MATCH IN YOUR HAND.** Finally turn the KEY valve into the 1/4 open position .
2. For a natural gas connection, place a burning match in the middle of the burner where ports are present. **DO NOT HOLD THE MATCH IN YOUR HAND.** Then turn the key valve into the 1/4" open position.
3. If the burner does not light before the match goes out, immediately stop the flow of gas by turning the key valve clockwise. For natural gas turn the key valve fully clockwise to close all gas connections.
4. Wait at least fifteen minutes to clear out any gas. Then smell for gas, including the base of the appliance. If you smell gas, **STOP!** Follow the proper warning listed above about what to do if you smell gas.

TO TURN OFF THE GAS APPLIANCE

1. To turn off a natural gas connection to the appliance turn the key valve completely clockwise to the closed position.
2. For an LP appliance, turn the key valve completely clockwise to the closed position and then turn the valve on the LP tank clockwise to the closed position.

MAINTENANCE INSTRUCTIONS

1. The appliance should be inspected before initial use and inspected and cleaned at least annually by a qualified field service person.
2. Tampering with this appliance is DANGEROUS and voids all warranties. Any component that is found to be faulty must be replaced with an approved component.
3. To obtain proper operation, it is imperative that the burner flame characteristics are steady, not lifting or floating.
4. Periodically remove the logs, glass or lava rock and examine the burner. If dirty, clean with a soft brush. Also, examine the area around the Propane/Air Mixer. Any dirt or lint in this area should be removed. This will ensure long life and trouble free operation. When the appliance is put back in service, check the burner flame patterns so that they follow step 3.
5. Periodically check the hose connecting the LP gas cylinder to ensure it is not damaged in any way.
6. While this appliance is not in use, it should be covered to protect it from weather and other adverse elements. Not protecting the appliance could result in a void of the warranty.

Note: Carbon (soot) may build up on the surfaces of the logs with heavy use. This is more likely to occur when using LP gas. The soot should be cleaned off the surface of the logs periodically to prevent excessive buildup.

To clean the logs, be sure the fire is out, the gas supply is turned off and the logs are cool to the touch. The soot can then be brushed off with a dry bristle brush or cloth. Logs can be damaged if mishandled. Dispose of soot and cleaning materials properly. Keep away from clothing and outdoor furniture.

TROUBLESHOOTING

Problem Observed	Possible Cause	Corrective Measure
Gas odor during set up	Gas leak	See “What to do if you smell gas” Page 1 Check all gas connections
Gas odor before first ignition	Gas leak	See “What to do if you smell gas” Page 1 Check all gas connections
Delayed ignition	Low gas pressure Clogged or dirty burner ports Blocked orifice Faulty Valve	Check gas supply pressure Clean burner ports Check orifice opening Replace Valve
Burner lights but does not stay lit	Low gas pressure Faulty Valve Clogged or dirty burner ports Faulty Regulator Windy Conditions	Check gas supply pressure Replace Valve Clean burner ports Replace regulator Shield from wind
Incorrect burner flame	Incorrect gas supply or pressure Blocked orifice Clogged or dirty burner ports Faulty valve Faulty Regulator High Altitude	Check gas supply pressure Check orifice opening Clean burner ports Replace Valve Replace Regulator Adjust orifice size for altitude
Backfire of burner	Blocked orifice Clogged or dirty burner ports	Check orifice opening Clean burner ports

COR-TEN STEEL MAINTENANCE INFORMATION

1. Your Cor-Ten steel fire pit will arrive in the “unweathered” condition. You may see spots or weld marks, shinny spots or shinny grind marks on the fire pit. During the weathering process, these spots and marks will disappear.
2. The Weathering process depends on humidity. On average, the Cor-Ten steel fire pit will fully weather in about 3 months.
3. During the weathering process, your Cor-Ten steel fire pit may leach rust onto the surface it sits on. It is recommended that you protect any light colored surface during the weathering process.
4. You do not need to do anything to the Cor-Ten steel to maintain it’s finish. If you would like to smooth out the weathered surfaces, you can use a Scotch Brite pad to gently rub the steel. This will cause some of the rust barrier to break off and fall to the ground. Be sure to thoroughly clean the ground surface after this process. You can use water to clean the surfaces after this process.

NOTE: Do not get water into any of the burner components. Water in the burner components can cause dangerous back pressure. If you think there is water in the burner components, call a licensed technician to check the burner components prior to use.

Installation of Glass Media/Lava Rock Fire Pit on wood deck and or combustible material deck.

!!!!Warning!!!!

NEVER INSTALL A WOOD BURNING FIRE PIT ON A COMBUSTIBLE DECK.

In order to install a glass media/lava rock configuration fire pit on a wood or combustible deck a heat and fire barrier must be place under the entire fire pit. Construction of the heat and fire barrier must meet local code.

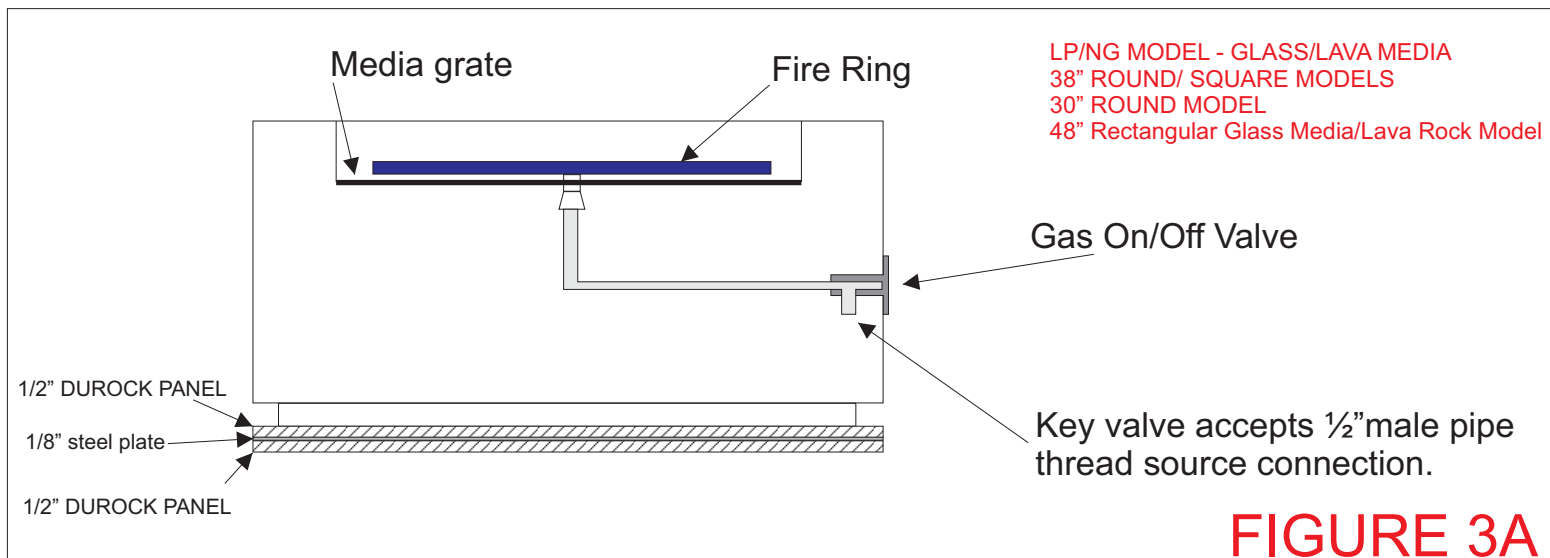


Figure 3A is an example of a acceptable heat and fire barrier for a glass media/lava rock configuration fire pit. Always check with local code prior to installation of any heat and fire barrier.