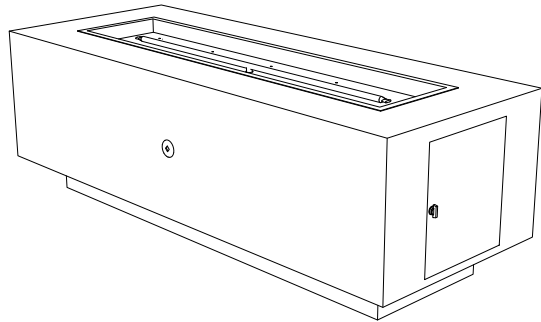
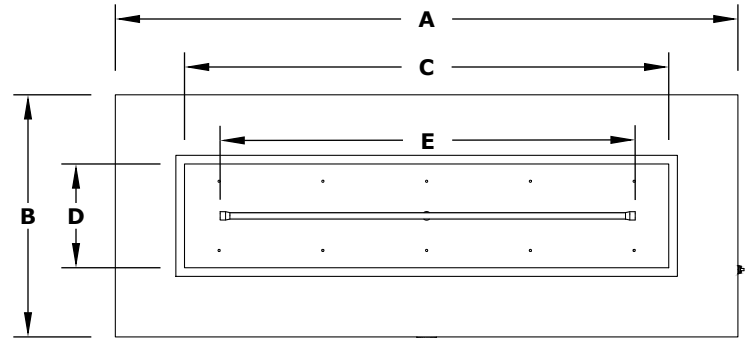


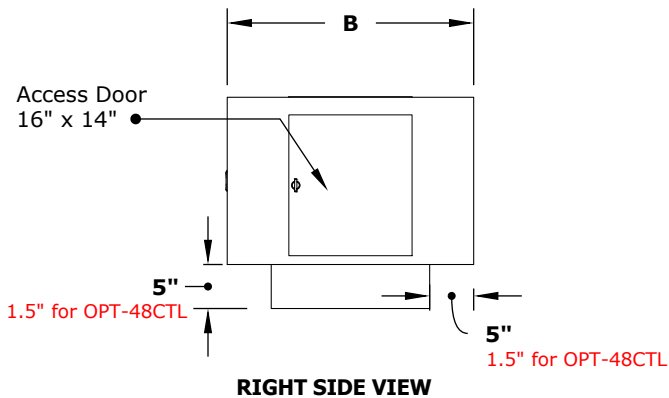
CATALINA FIRE PIT - GFRC WOOD GRAIN MATCH LIT IGNITION



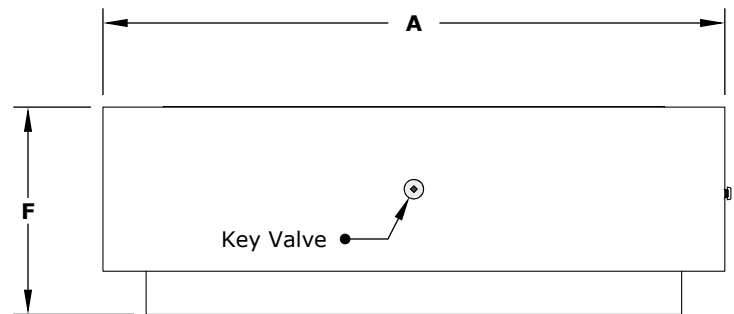
ISOMETRIC VIEW



TOP VIEW



RIGHT SIDE VIEW



FRONT SIDE VIEW

SKU	A	B	C	D	E	F	BTU
OPT-CTL48	48"	28"	30"	10"	24"	24"	65,000
OPT-CTL60	60"	36"	42"	12"	36"	24"	65,000
OPT-CTL72	72"	36"	54"	12"	48"	24"	65,000
OPT-CTL84	84"	36"	66"	12"	60"	24"	65,000
OPT-CTL96	96"	36"	78"	12"	72"	24"	65,000
OPT-CTL108	108"	36"	90"	12"	84"	24"	65,000
OPT-CTL120	120"	36"	102"	12"	96"	24"	65,000

Fire Pit Material: GFRC Concrete
 Finish: Wood Grain Concrete
 Pan Material: 304 Stainless Steel
 Burner Material: 304 Stainless Steel
 Ignition Type: Match Lit Ignition

Standard 1" Flange on all pans
 Standard 2" Depth on all pans

12V ELECTRONIC IGNITION
 ANSI Z21.97-(2017) / CSA 2.41-(2017)



Includes: Pan, Burner, Key Valve, Whistle Free Hoses, Black Lava Rock.