



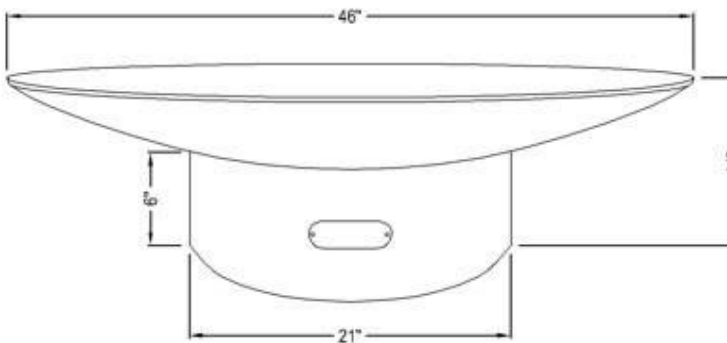
FIRE PIT ART
 1746 SPARTA PIKE
 LEBANON, TN 37090
 PHONE: (615) 707-1912
 www.firepitart.com

SELECT DESIRED FUEL TYPE:

- WOOD BURNING
- NATURAL GAS - MATCH LIT
- LIQUID PROPANE - MATCH LIT
- NATURAL GAS - AWEIS
- LIQUID PROPANE - AWEIS

SELECT DESIRED FIRE PIT SIZE:

- 34"
- 46" (SHOWN)
- 58"
- 70"



PERSPECTIVE

<u>SPECIFICATIONS</u>	BELLA VITA 34"	BELLA VITA 46"	BELLA VITA 58"	BELLA VITA 70"
BURNER:	125K BTU Stainless Steel Burner	200K BTU Stainless Steel Burner	300K BTU Stainless Steel Burner	400K BTU Stainless Steel Burner
PAN SIZE:	24" DIAMETER	24" DIAMETER	32" DIAMETER	32" DIAMETER
LAVA ROCK LBS.:	60	75	105	120
DIMENSIONS:	12" H X 34.5" W X 34.5" D	14" H X 46" W X 46" D	16" H X 58" W X 58" D	18" H X 70" W X 70" D
BASE DIMENSIONS:	6" H X 21" DIAMETER	6" H X 21" DIAMETER	7" H X 23" DIAMETER	8" H X 30" DIAMETER
WEIGHT:	100 LBS	160 LBS	240 LBS	340 LBS
MATERIALS:	1/4" STAINLESS STEEL	1/4" STAINLESS STEEL	1/4" STAINLESS STEEL	1/4" STAINLESS STEEL
FINISH:	STAINLESS STEEL	STAINLESS STEEL	STAINLESS STEEL	STAINLESS STEEL

MANUFACTURER NOTES:

1. VENT THE BASE, CUT THE BOTTOM OUT OF THE HEMISPHERE, BUILD A PLATE TO DROP IN THE HOLE TO ATTACH THE GAS COMPONENTS AND THEN ADD THE LAVA ROCK. THOSE CHANGES ARE MADE BY FIRE PIT ART® AND A WOOD BURNING PIECE IS NOT TO BE MODIFIED FOR GAS BY THE CONSUMER.

NOTES:

1. INSTALLATION TO BE COMPLETED IN ACCORDANCE WITH MANUFACTURER'S SPECIFICATIONS.
2. DO NOT SCALE DRAWING.
3. THIS DRAWING IS INTENDED FOR USE BY ARCHITECTS, ENGINEERS, CONTRACTORS, CONSULTANTS AND DESIGN PROFESSIONALS FOR PLANNING PURPOSES ONLY. THIS DRAWING MAY NOT BE USED FOR CONSTRUCTION.
4. ALL INFORMATION CONTAINED HEREIN WAS CURRENT AT THE TIME OF DEVELOPMENT BUT MUST BE REVIEWED AND APPROVED BY THE PRODUCT MANUFACTURER TO BE CONSIDERED ACCURATE.
5. CONTRACTOR'S NOTE: FOR PRODUCT AND COMPANY INFORMATION VISIT www.CADdetails.com/info AND ENTER REFERENCE NUMBER 5297-007

