

Before you start assembly on your new product, please check to make sure you have all the components necessary to complete this assembly.

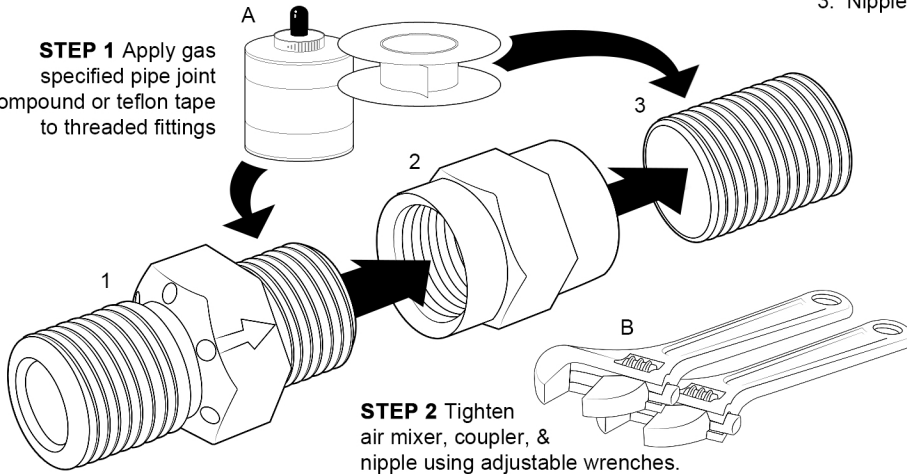
Included Parts

1. Air Mixer
2. Coupler
3. Nipple

Additional Parts & Tools (not included)

- A. Gas Specified Pipe Joint Compound or Teflon Tape
- B. 2 x Adjustable Wrenches

STEP 1 Apply gas specified pipe joint compound or teflon tape to threaded fittings



STEP 2 Tighten air mixer, coupler, & nipple using adjustable wrenches.

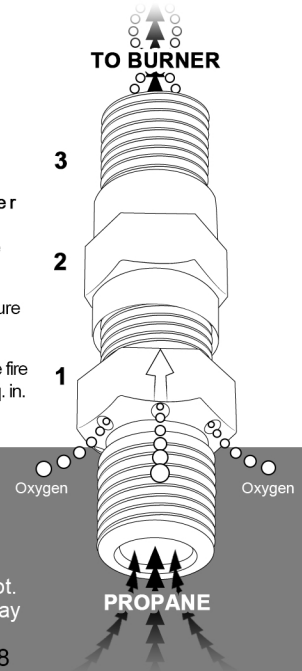
COMPLETED ASSEMBLY

shown at right

PLEASE NOTE: This Air Mixer will not operate properly if installed incorrectly or does not have adequate air flow.

When installing your Air Mixer, make sure the gas is flowing in the proper direction.

Air ventilation is required for ALL propane fire features. A minimum of two vents (18" sq. in. each in size) is suggested.



WARNING

- It is always recommended that a professional be the one to install ANY parts or products that will be fueled by a potentially dangerous fuel source.
- Improper installation or alterations not specified in these instructions can cause injury or property damage. Read these instructions CAREFULLY and thoroughly before installing or servicing this equipment.
- To avoid serious injury, make sure your gas supply is shut off prior to installation.

PROP 65 WARNING - This product contains chemicals, including lead, known to the State of California to cause cancer and birth defects or other reproductive harm. *Wash hands after use.*

Still Have QUESTIONS?

Call our Customer Service Dept.
8am - 5pm PST Monday - Friday

CALL US 1-866-578-8538
EMAIL US info@starfiredirect.com

Before you start assembly on your new product, please check to make sure you have all the components necessary to complete this assembly.

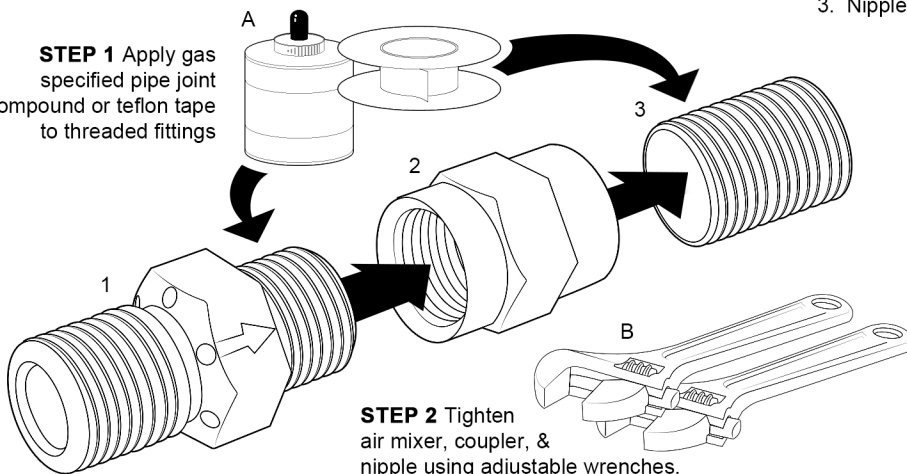
Included Parts

1. Air Mixer
2. Coupler
3. Nipple

Additional Parts & Tools (not included)

- A. Gas Specified Pipe Joint Compound or Teflon Tape
- B. 2 x Adjustable Wrenches

STEP 1 Apply gas specified pipe joint compound or teflon tape to threaded fittings



STEP 2 Tighten air mixer, coupler, & nipple using adjustable wrenches.

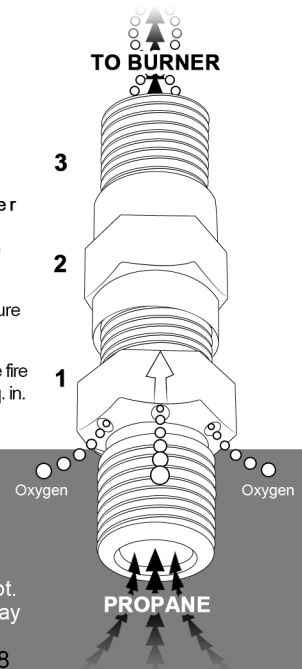
COMPLETED ASSEMBLY

shown at right

PLEASE NOTE: This Air Mixer will not operate properly if installed incorrectly or does not have adequate air flow.

When installing your Air Mixer, make sure the gas is flowing in the proper direction.

Air ventilation is required for ALL propane fire features. A minimum of two vents (18" sq. in. each in size) is suggested.



WARNING

- It is always recommended that a professional be the one to install ANY parts or products that will be fueled by a potentially dangerous fuel source.
- Improper installation or alterations not specified in these instructions can cause injury or property damage. Read these instructions CAREFULLY and thoroughly before installing or servicing this equipment.
- To avoid serious injury, make sure your gas supply is shut off prior to installation.

PROP 65 WARNING - This product contains chemicals, including lead, known to the State of California to cause cancer and birth defects or other reproductive harm. *Wash hands after use.*

Still Have QUESTIONS?

Call our Customer Service Dept.
8am - 5pm PST Monday - Friday

CALL US 1-866-578-8538
EMAIL US info@starfiredirect.com