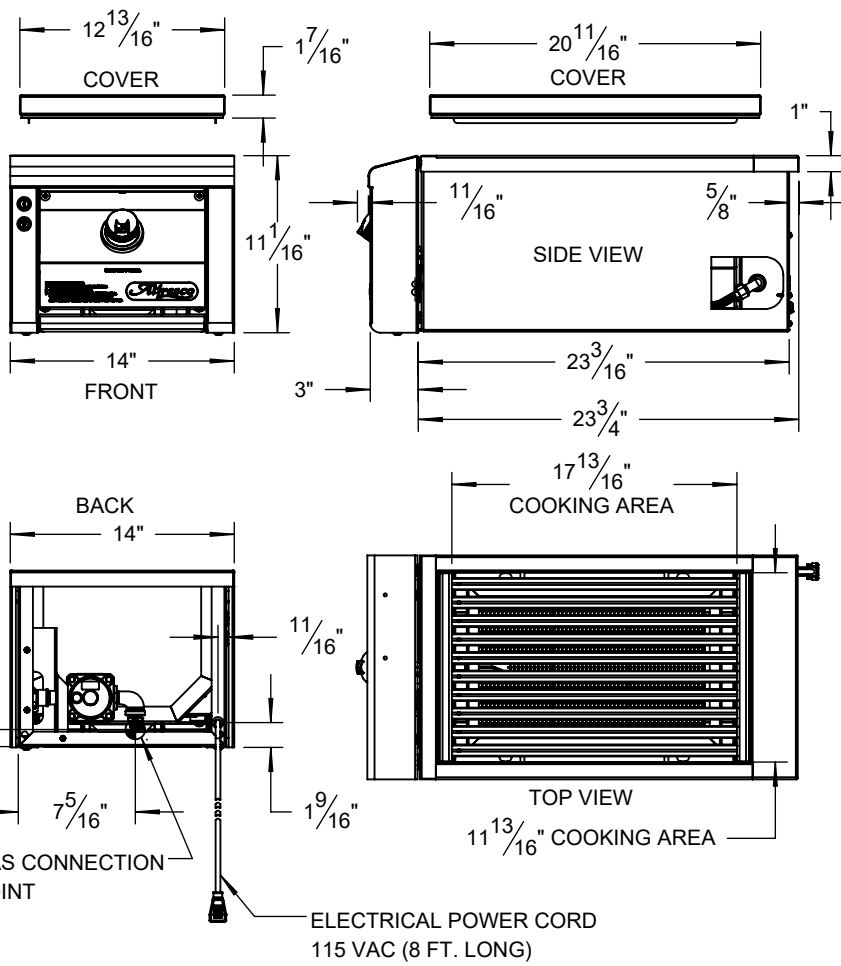
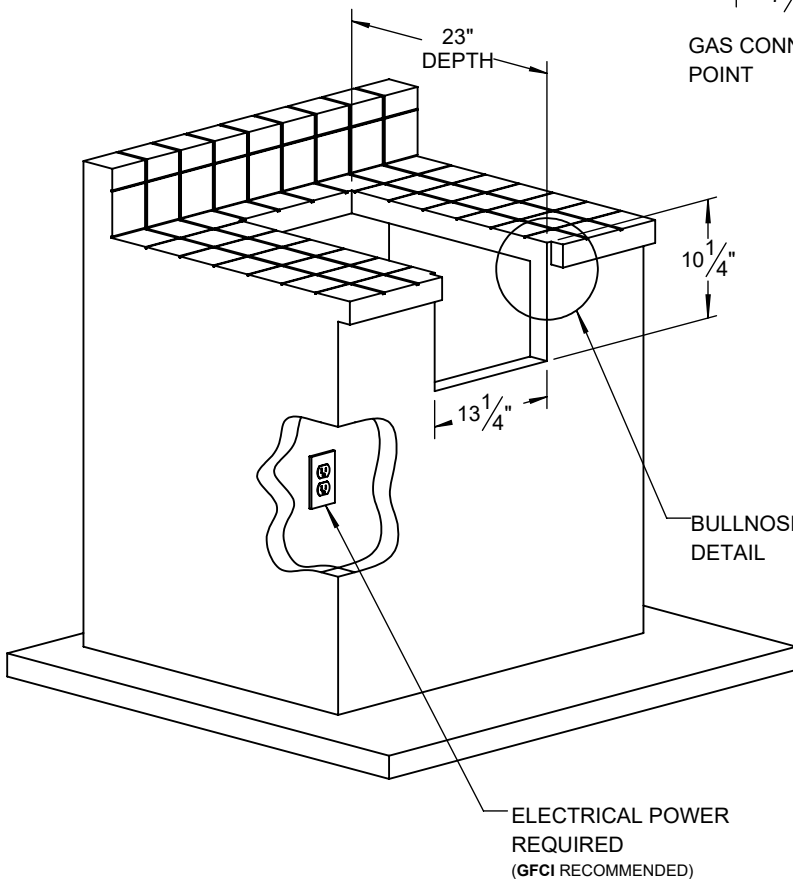


TYPICAL AXESZ INSTALLATION



COUNTERTOP CUTOUT REQUIREMENTS

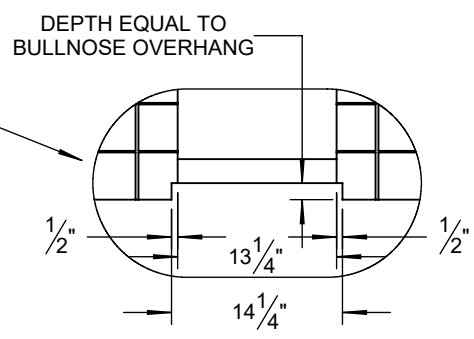


LP GAS SETUP:

ADAPTER: 1/2" MPT X 3/8" MPT

REGULATOR WITH 36" HOSE

NOTE: STANDARD UNIT HAS A NATURAL GAS (NG) CONNECTION WITH 1/2" FPT FITTING. IF LIQUID PROPANE (LP) OPTION IS ORDERED THE UNIT IS SUPPLIED WITH A REGULATOR, HOSE AND ADAPTER FITTING AS SHOWN.



SPECIFICATIONS:
 BTUH = 30,200 (MAX)
 FUEL = NG @ 5' W.C. OR LP @ 10" W.C.
 ELECTRICAL POWER = 115 VAC - 50/60 Hz. - 10 mA
 GAS CONNECTION = 1/2" NPT (NG) OR 3/8" ODF (LP)