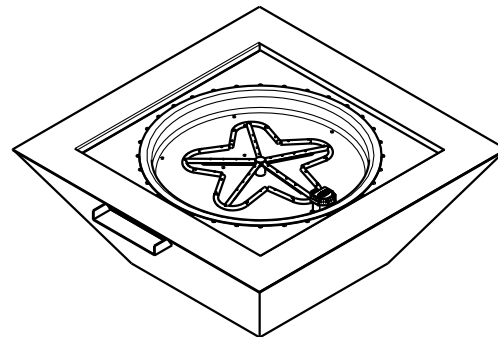
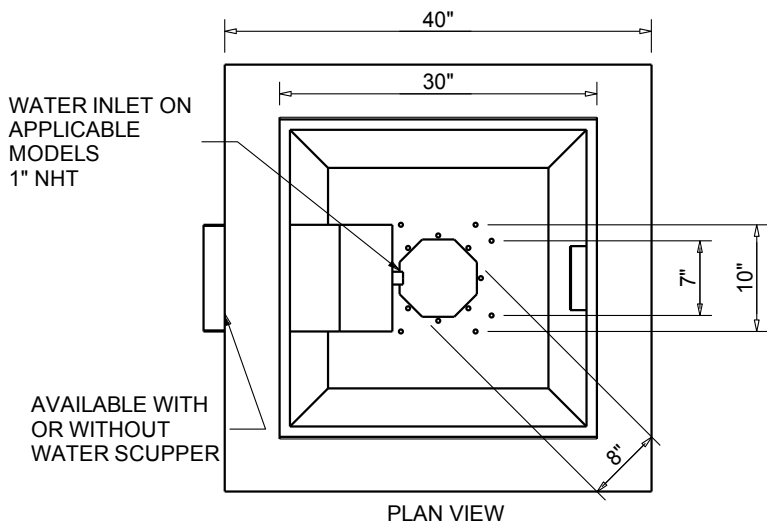




FIRE INSPIRED[®]

**CSA CERTIFIED-OUTDOOR USE ONLY
FOR COMMERCIAL AND RESIDENTIAL USE**

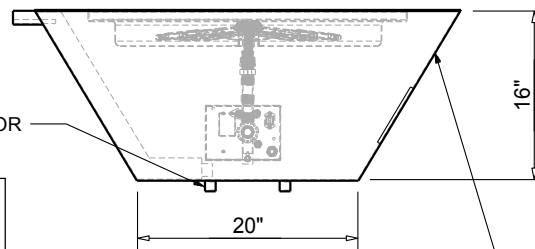
**HEARTH PRODUCTS CONTROLS
2225 LYONS RD.
MIAMISBURG, OH 45342
TOLL FREE: 877.585.9800
PHONE: 937.436.9800
www.hpcfire.com**



ISOMETRIC VIEW

**MATERIAL:
FIRE BOWL INSERT - 304 STAINLESS STEEL
BOWL - COPPER**

SPACERS PROVIDED FOR VENTILATION



ELECTRONIC IGNITION OPTION

ACCESS DOOR

PART NUMBER	WATER SCUPPER	IGNITION	STND BTU	VOLTAGE
TOR- SEDO40-EI	NO	ELECTRONIC	100K	120VAC/24VAC
TOR- SEDO40W-EI	YES	ELECTRONIC	100K	120VAC/24VAC/12VAC
TOR- SEDO40-MLFPK	NO	MATCH LIT	65K	-
TOR- EDO40W-MLFP	YES	MATCH LIT	65K	-

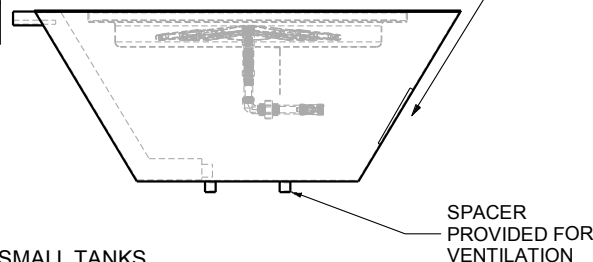
*FOR TORPEDO BURNERS ADD TOR-

Notes:

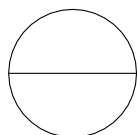
- PROPER VENTING
 - ENCLOSURES: Recommend 4 each 18 sq.in. vents on opposing sides (Minimum 2 each 18 sq.in. vents).
 - BOWLS (Copper, concrete or metal) - Bowl to be raised above mounting surface minimum of 3/4" gap; Bowl to have a minimum of 6" diameter hole in bottom
- GAS SUPPLY - FOR USE WITH FIXED PIPING SYSTEMS ONLY - NOT FOR USE WITH SMALL TANKS.
 - Natural Gas: Operating Supply Pressure: Minimum: 6.0" W.C.; Maximum: 7.0" W.C.
 - LP Gas: Operating Supply Pressure: Minimum: 10.0" W.C.; Maximum: 11.0" W.C.

IMPORTANT: Ensure any flex line that may be used from the permanent main fuel supply to the product is rated to the stated max btu of the product and certified to ANSI Z21.75*CSA 6.27.

- MODIFICATION OF PRODUCT WILL VOID ANY CERTIFICATION AND WARRANTY.
- FOLLOW ALL MANUFACTURER INSTALLATION INSTRUCTIONS AND LOCAL CODES.
- ALL DIMENSIONS ARE CONSIDERED TRUE AND REFLECT MANUFACTURER'S SPECIFICATIONS AS OF THE REVISION DATE.
- DO NOT SCALE DRAWING.
- THESE DRAWINGS ARE FOR SIZING AND PLANNING PURPOSES. ALL INFORMATION CONTAINED HEREIN WAS CURRENT AT THE TIME OF DEVELOPMENT. THE MANUFACTURER'S RESPONSIBLE FOR THE ACCURACY OF THE DRAWING.
- CONTRACTOR'S NOTE: FOR PRODUCT AND COMPANY INFORMATION VISIT www.CADdetails.com/info REFERENCE NUMBER 771-022.



MATCH LIT OPTION



SEDONA WITH EI FIRE PIT- FLAME SENSING WITH ELECTRONIC HOT SURFACE IGNITION
SEDONA WITH MATCH LIT FIRE PIT INSERT