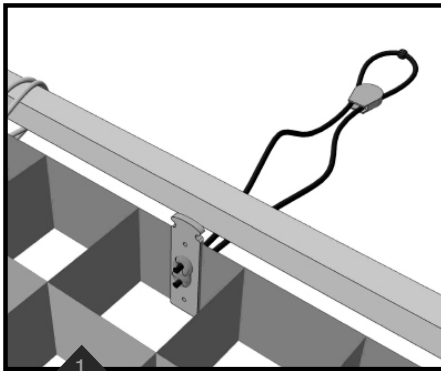
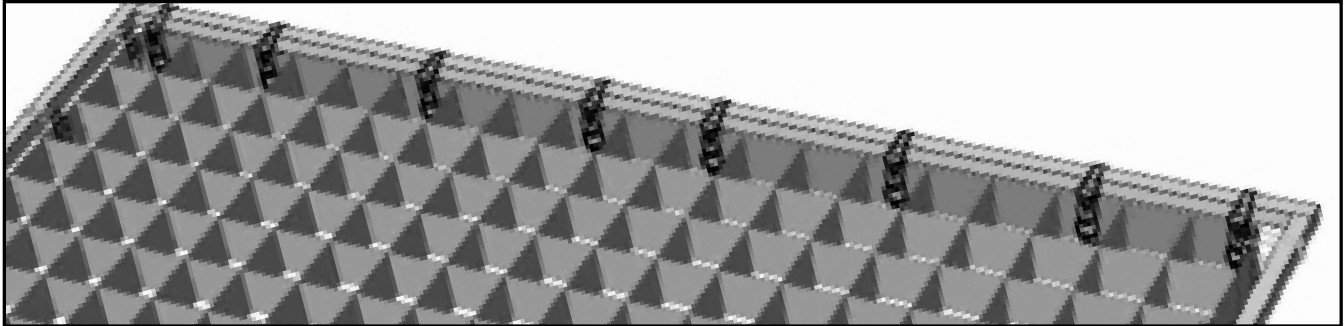
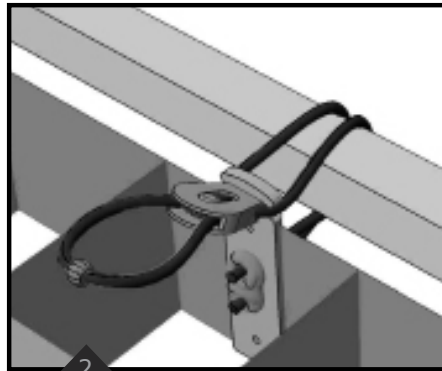


Tie One On Today

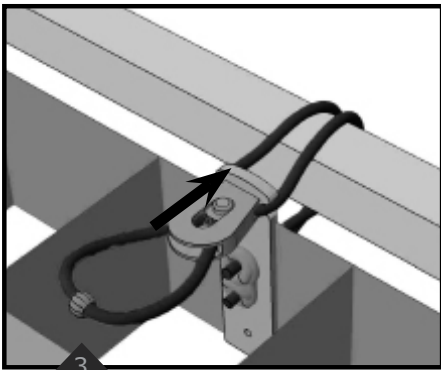
Lighttools® to fit Butterfly & Overhead Frames



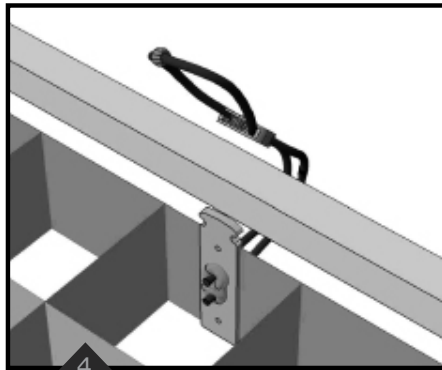
1
wrap adjustable cord around frame



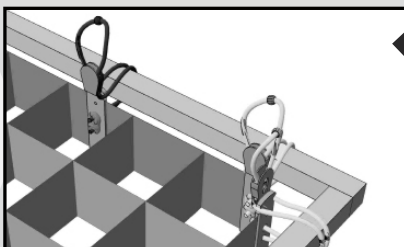
2
secure cord over plate grooves



3
apply tension to the cord to slide clip into *locked* position



4
to adjust, release cord from plate groove sliding clip into *unlocked* position and repeat steps 1-3



Color coded corner ties.