

Primary Usage

Reference No.

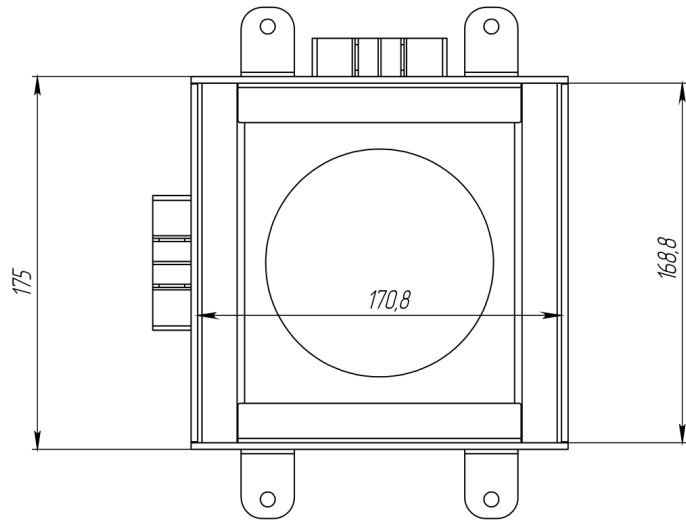
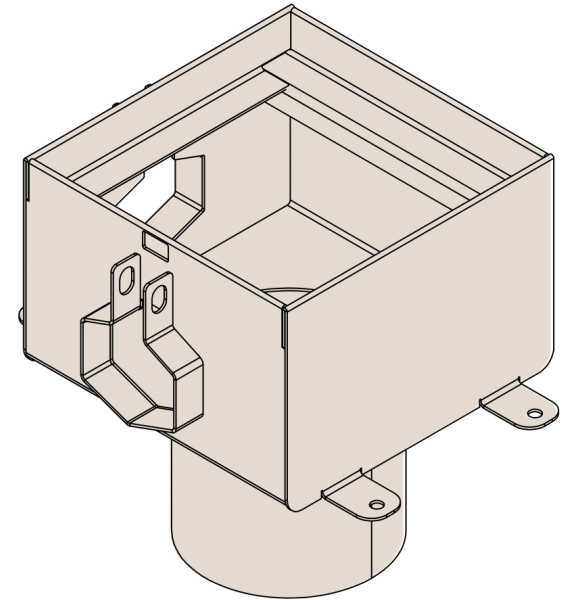
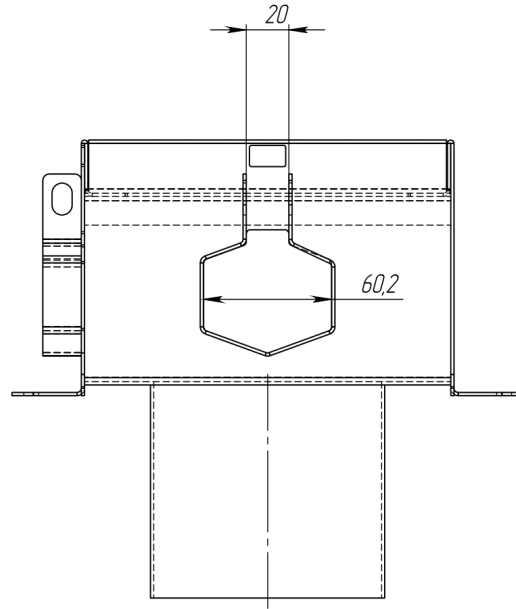
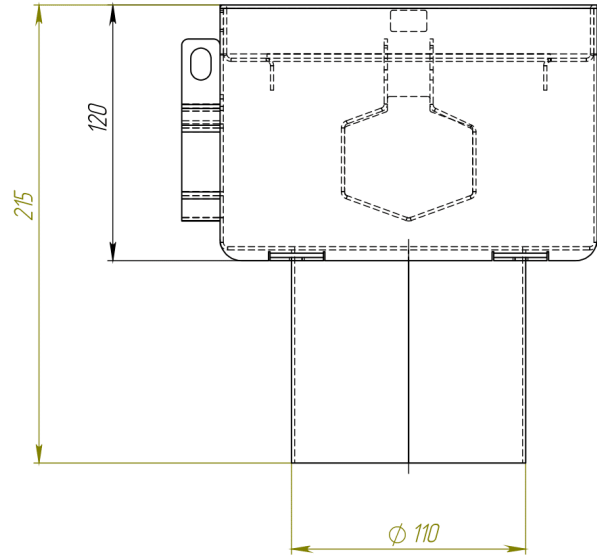
Sign. and date

Copy inv. No.

Repl. Inv. No.

Sign. and date

Orig. Inv. No.



										Art.	SSSDT4C-18.18.12	
										<b>Double 100 corner edges trap</b>		
										Let.	Weight (lb)	Scale
											4.62	1:2.5
										Sheet	Sheets 1	
										<b>Stainless Steel</b>		