

Primary Usage

Reference No.

Sign. and date

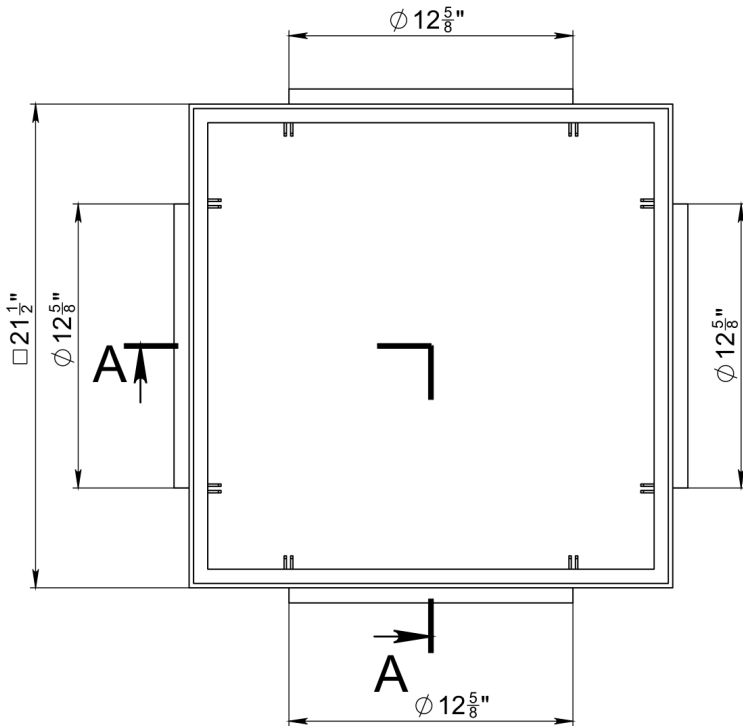
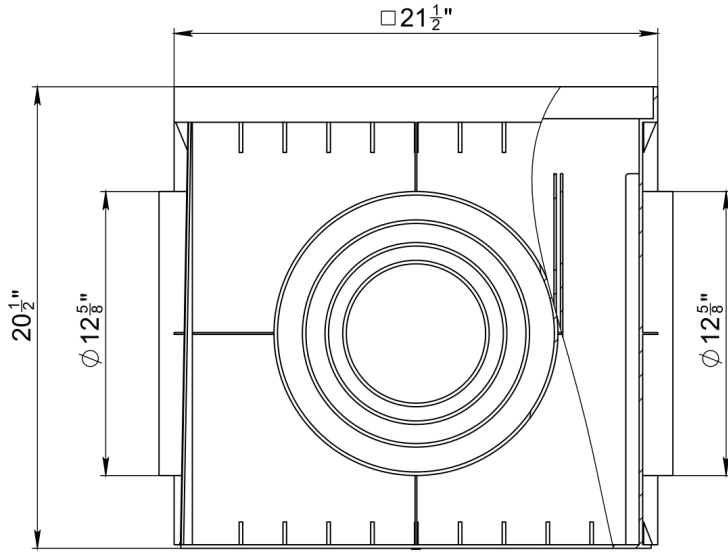
Copy inv. No.

Repl. Inv. No.

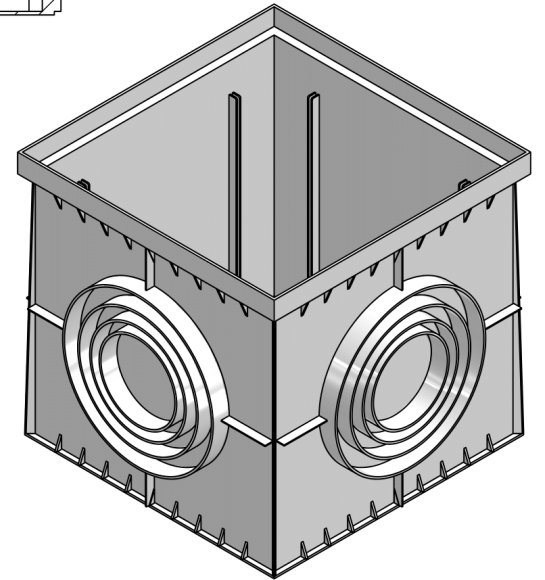
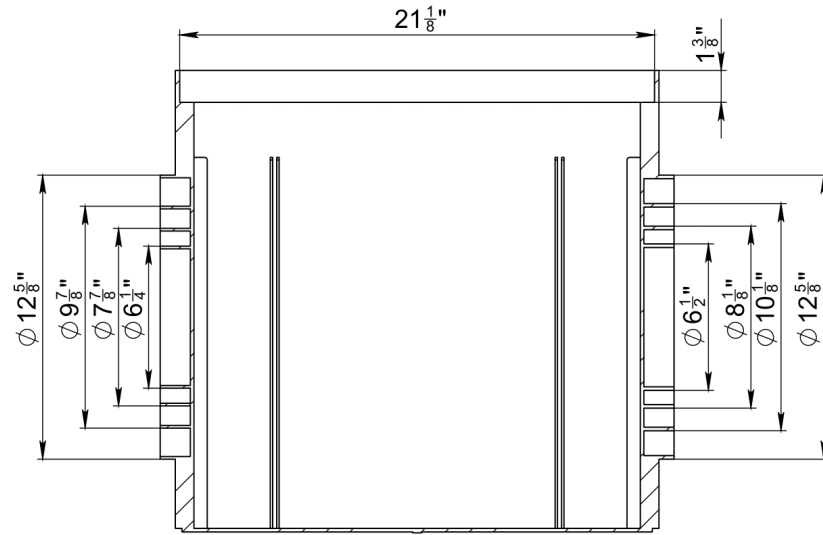
Sign. and date

Orig. Inv. No.

Strom Water Inlet PolyMax Basic 20x20 Grey



### A-A



				Art.	8570-C
				Strom Water Inlet PolyMax Basic 20x20 Grey	
				Let.	Weight (lb)
				16	1:5
				Sheet	Sheets 1
				Plastic	

**NP-PP 8570-C**  
Load Class A