

Primary Usage

Reference No.

Sign. and date

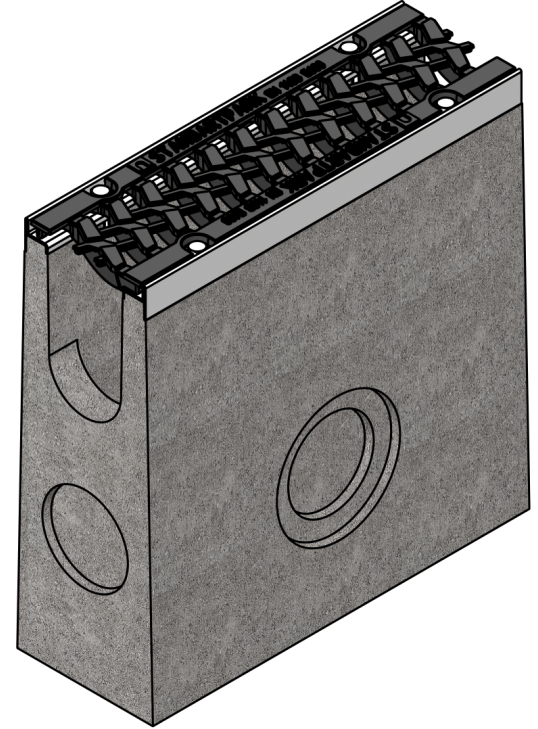
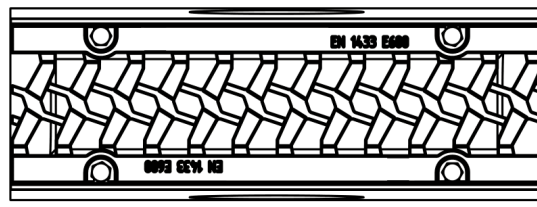
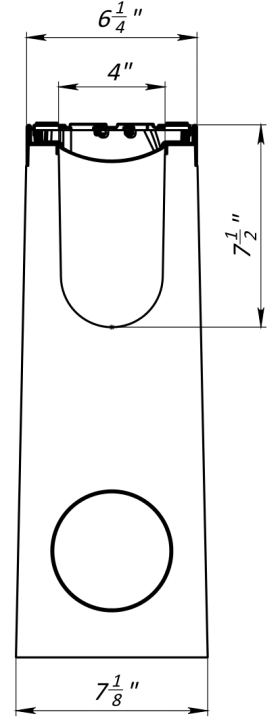
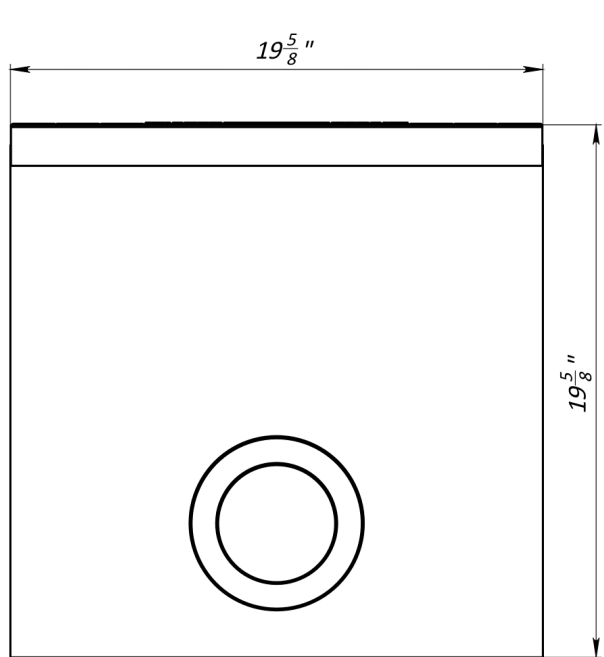
Copy inv. No.

Repl. Inv. No.

Sign. and date

Orig. Inv. No.

4" Concrete Sand Trap



- 1. Area of water intake slots 37 sq in
- 2. Deviation of the actual weight of the nominal can be up to 8%

				Art. 04087155				
				<b>4" Concrete Sand Trap</b>				
Rev.	Sheet	Doc. No.	Sign.	Data	<b>04087155</b>	Let.	Weight (lb)	Scale
				11.09.18			131.1	1:5
					<b>Load Class E</b>	Sheet	Sheets 1	
					Concrete, Steel, Ductile Cast Iron	